

CHANDELIER

ICH683A12XX9
09/16

QUESTIONS OR CONCERNS CONTACT AT:
1-800-265-1833 (English) / 1-800-567-2513 (French)
Monday through Friday 8:00 AM to 5:00 PM E.S.T.



INSTRUCTIONS PERTAINING TO RISK OF FIRE OR INJURY TO PERSONS
READ ALL INSTRUCTIONS

**IMPORTANT SAFETY
INSTRUCTIONS**
SAVE THESE INSTRUCTIONS

TOOLS AND MATERIALS REQUIRED:



Phillips
Screwdriver



Wire Cutters



Pliers



Wrench

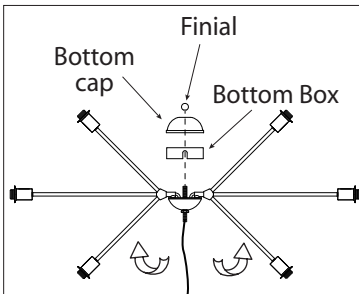
Wiring supplies
as required by
local electrical
code

SAFETY PRECAUTIONS:

1. TURN OFF ELECTRICAL POWER BEFORE STARTING INSTALLATION OF LIGHT FIXTURE.
2. THIS PRODUCT MUST BE INSTALLED IN ACCORDANCE WITH THE APPLICABLE INSTALLATION CODE BY A PERSON FAMILIAR WITH THE CONSTRUCTION AND OPERATION OF THE PRODUCT AND THE HAZARDS INVOLVED.
3. CONNECT THE GROUND WIRES (BARE COPPER OR GREEN) FROM YOUR FIXTURE TO THE GROUND WIRE (BARE COPPER OR GREEN) OR GROUND SCREW IN THE ELECTRICAL BOX.
4. TO CLEAN THE FIXTURE, TURN OFF THE POWER, WAIT FOR IT TO COOL, AND WIPE THE FIXTURE WITH A CLEAN, SOFT CLOTH.

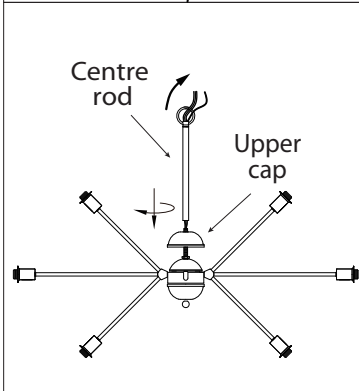
NOTE: Product may not look exactly as shown in figures.

INSTALLATION:

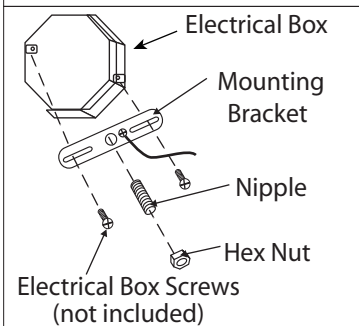


1. Turn the fixture up-side down. Spread the arms evenly.

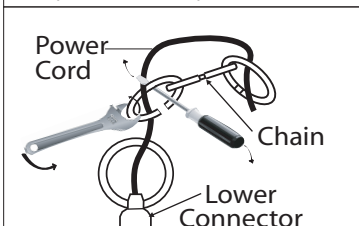
2. Tighten the bottom box and bottom cap with the finial against the stud.



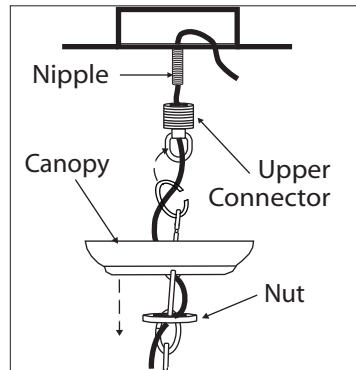
3. Turn over the fixture. Tighten the upper cap with the centre rod against the stud.



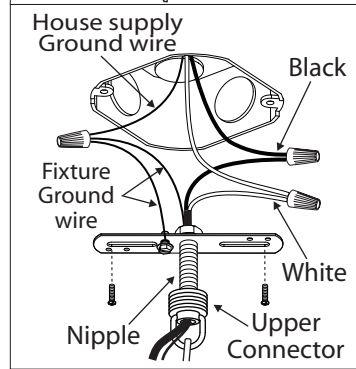
4. Attach the mounting bracket to the electrical box using electrical box screws (not included). Attach the nipple to the mounting bracket and adjust until it will clear the canopy when assembled (Place the canopy over the nipple and tighten the upper connector onto the nipple until snug. The upper connector should hold the canopy snug to the ceiling). Lock the nipple in the correct position using the hex nut.



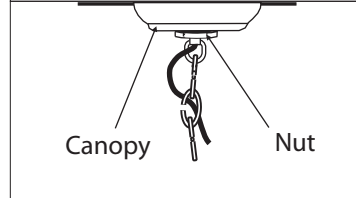
5. To attach chain loop to light fixture, use a screwdriver and wrench to open and close chain loop. Ensure to close the opening. Weave the power cord and ground wire through the links in the chain.



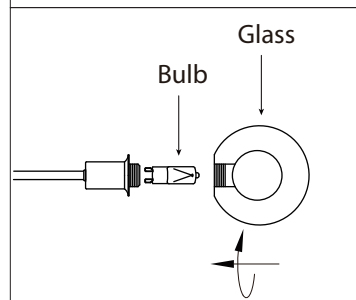
6. Loosen the nut on the upper connector and slide it down the chain towards the lower connector. Slide the canopy down the chain towards the lower connector. Feed the wire through nut, canopy, the upper connector and onto the nipple. Tighten the upper connector onto the nipple. Spread the other end of the chain open and fasten to the upper connector. Ensure the opening is closed.



7. Connect the ground wires (bare copper or green) from your fixture to the ground wire (bare copper or green) or ground screw in the electrical outlet box. Connect the black wire (or wire marked "SPT-1") from the fixture to the black wire in the electrical box and connect the white wire (or the wire with ribbed side) from the fixture to the white wire in the electrical box.



8. Once connections of wires are completed, carefully tuck wires and wire nuts into the electrical box making sure no bare wire (on the black and white) is visible at the wire nuts. Slide canopy into position and tighten in place by nut into position.



9. Install specified bulb type and wattage (not included).

10. Screw glass shade on to the fixture.