

CHANDELIER

C-9
10/16

QUESTIONS OR CONCERNS CONTACT AT:
1-800-265-1833 (English) / 1-800-567-2513 (French)
Monday through Friday 8:00 AM to 5:00 PM E.S.T.



INSTRUCTIONS PERTAINING TO RISK OF FIRE OR INJURY TO PERSONS
READ ALL INSTRUCTIONS

IMPORTANT SAFETY INSTRUCTIONS

SAVE THESE INSTRUCTIONS

TOOLS AND MATERIALS REQUIRED:

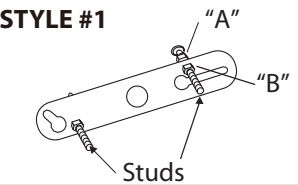
- Phillips Screwdriver
- Wire Cutters
- Pliers
- Wrench

Wiring supplies as required by local electrical code

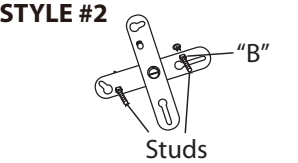
- SAFETY PRECAUTIONS:**
1. TURN OFF ELECTRICAL POWER BEFORE STARTING INSTALLATION OF LIGHT FIXTURE.
 2. THIS PRODUCT MUST BE INSTALLED IN ACCORDANCE WITH THE APPLICABLE INSTALLATION CODE BY A PERSON FAMILIAR WITH THE CONSTRUCTION AND OPERATION OF THE PRODUCT AND THE HAZARDS INVOLVED.
 3. CONNECT THE GROUND WIRES (BARE COPPER OR GREEN) FROM YOUR FIXTURE TO THE GROUND WIRE (BARE COPPER OR GREEN) OR GROUND SCREW IN THE ELECTRICAL BOX.
 4. TO CLEAN THE FIXTURE, TURN OFF THE POWER, WAIT FOR IT TO COOL, AND WIPE THE FIXTURE WITH A CLEAN, SOFT CLOTH.
 5. CLEAN GLASS WITH WATER ONLY.
- NOTE: Product may not look exactly as shown in figures.**

INSTALLATION:

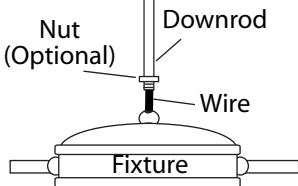
STYLE #1



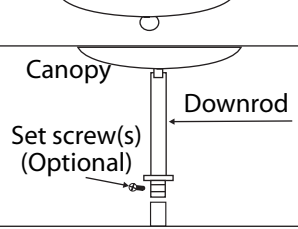
STYLE #2



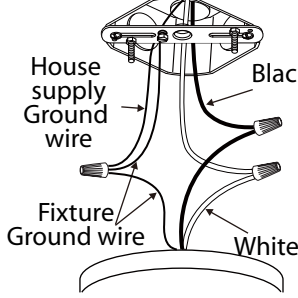
Nut (Optional)
Downrod
Wire
Fixture



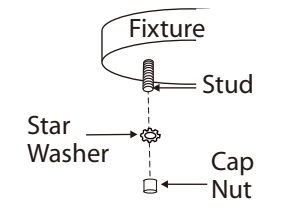
Canopy
Downrod
Set screw(s) (Optional)



House supply Ground wire
Black
Fixture Ground wire
White

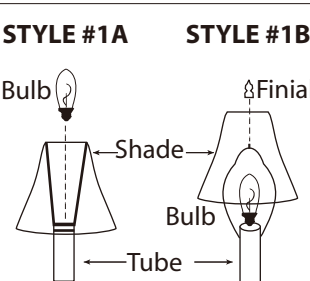


Fixture
Stud
Star Washer
Cap Nut

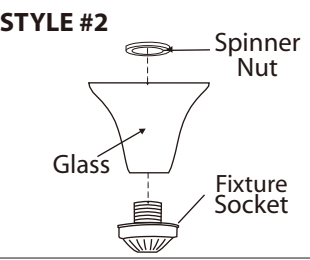


1. Refer to the mounting bracket style that matches the bracket that is included with your fixture. Attach the mounting bracket to the outlet box using electrical box screws (not included).
Style#1 - Loosen hex nut "A" and "B". Adjust stud so it clears the fixture once assembled. Hold in place with "A" and lock in place with "B".
Style#2 (Threaded holes) Loosen "B". Adjust stud to desired length and lock in place with "B".
2. Screw lower downrod into the fixture. Use the nut to tighten and lock the downrod into place. (optional)
NOTE: Determine your downrod length. Lock in place by tightening the set screws (optional).
3. Connect the ground wires (bare copper or green) from your fixture to the ground wire (bare copper or green) or ground screw in the electrical outlet box. Connect the black wire (or wire with marking) from the fixture to the black wire in the electrical box and connect the white wire from the fixture to the white wire in the electrical box.
4. Once connections of wires are completed, carefully tuck wires and wire nuts into the electrical box making sure no bare wire (on the black and white) is visible at the wire nuts. Position fixture over studs on mounting bracket assembly. Secure fixture in place with star washer(s) and cap nut(s).

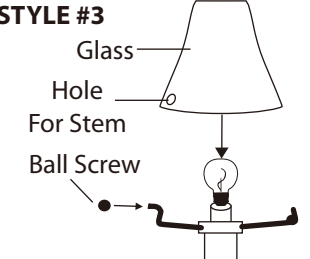
STYLE #1A **STYLE #1B**



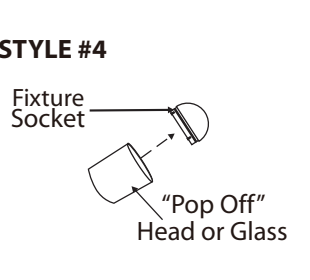
STYLE #2



STYLE #3



STYLE #4



5. **Note:** Refer to the style of assembly that matches the style of your fixture. If your fixture has shades,
STYLE #1A - Place shade on tube, then install bulb.
STYLE #1B - Install bulb, shade then finial.
STYLE #2 - Remove spinner nut from socket. Position glass on lamp and secure with spinner nut.
Note: Glass may face up or down.
Note: If your fixture has candle-style lights, slide the tubes over the upright sockets
STYLE #3 - Install proper bulb type and wattage before assembling the glass. Remove ball screw from the curved stem. Position glass on lamp with the curved stem being inserted through the hole in the glass. Hand tighten the ball screw to secure the glass in place.
STYLE #4 - Snap "pop off" head or glass onto fixture (push, or push and turn (it depends on the style of your fixture)).
6. If not already done, install proper bulb type and wattage. (not included)