

CHANDELIER

ICH480A04XXX30
10/16

QUESTIONS OR CONCERNS CONTACT AT:

1-800-265-1833 (English) / 1-800-567-2513 (French)
Monday through Friday 8:00 AM to 5:00 PM E.S.T.



INSTRUCTIONS PERTAINING TO RISK OF FIRE OR INJURY TO PERSONS
READ ALL INSTRUCTIONS

**IMPORTANT SAFETY
INSTRUCTIONS**
SAVE THESE INSTRUCTIONS

TOOLS AND MATERIALS REQUIRED:



Phillips
Screwdriver



Wire Cutters



Pliers



Wrench

Wiring supplies
as required by
local electrical
code

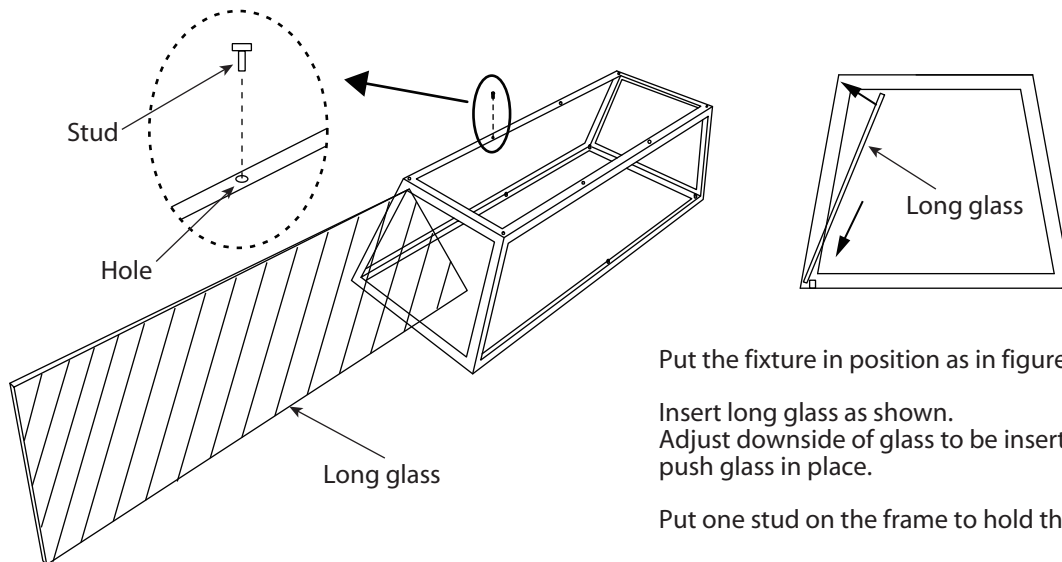
SAFETY PRECAUTIONS:

1. **TURN OFF ELECTRICAL POWER BEFORE STARTING INSTALLATION OF LIGHT FIXTURE.**
2. **THIS PRODUCT MUST BE INSTALLED IN ACCORDANCE WITH THE APPLICABLE INSTALLATION CODE BY A PERSON FAMILIAR WITH THE CONSTRUCTION AND OPERATION OF THE PRODUCT AND THE HAZARDS INVOLVED.**
3. **CONNECT THE GROUND WIRES (BARE COPPER OR GREEN) FROM YOUR FIXTURE TO THE GROUND WIRE (BARE COPPER OR GREEN) OR GROUND SCREW IN THE ELECTRICAL BOX.**
4. **TO CLEAN THE FIXTURE, TURN OFF THE POWER, WAIT FOR IT TO COOL, AND WIPE THE FIXTURE WITH A CLEAN, SOFT CLOTH.**

NOTE: Product may not look exactly as shown in figures.

INSTALLATION:

Step 1

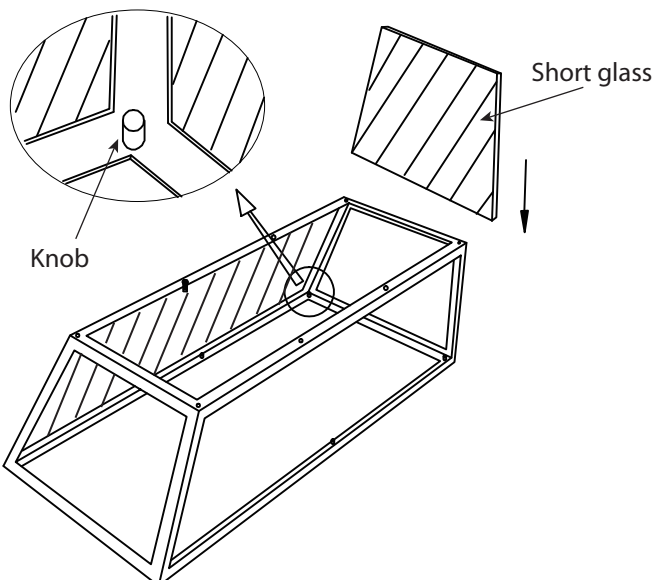


Put the fixture in position as in figure 1.

Insert long glass as shown.
Adjust downside of glass to be inserted behind 2 knobs
and push glass in place.

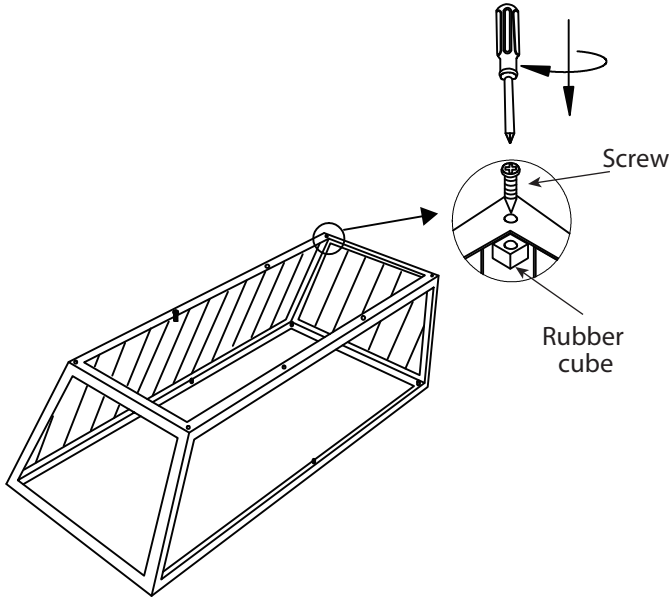
Put one stud on the frame to hold the glass in place temporarily.

Step 2



Insert short glass as shown.
Adjust downside of glass to be inserted behind 2 knobs.

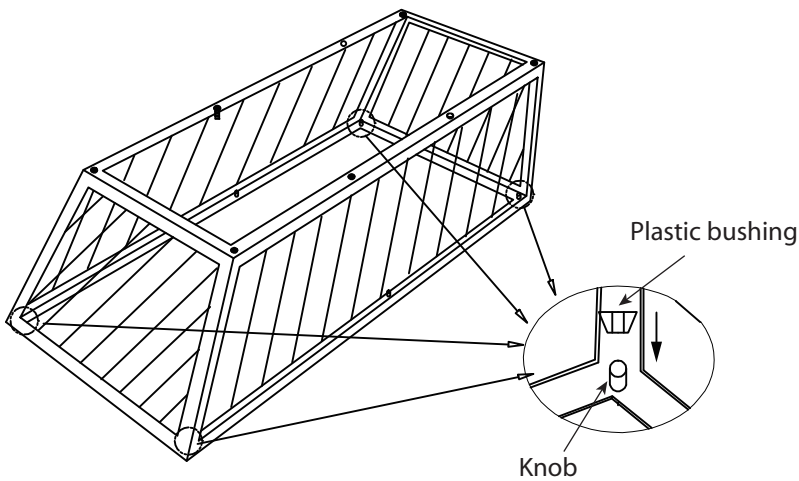
Step 3



Tighten the screw with the rubber cube to hold the glass in place as shown.

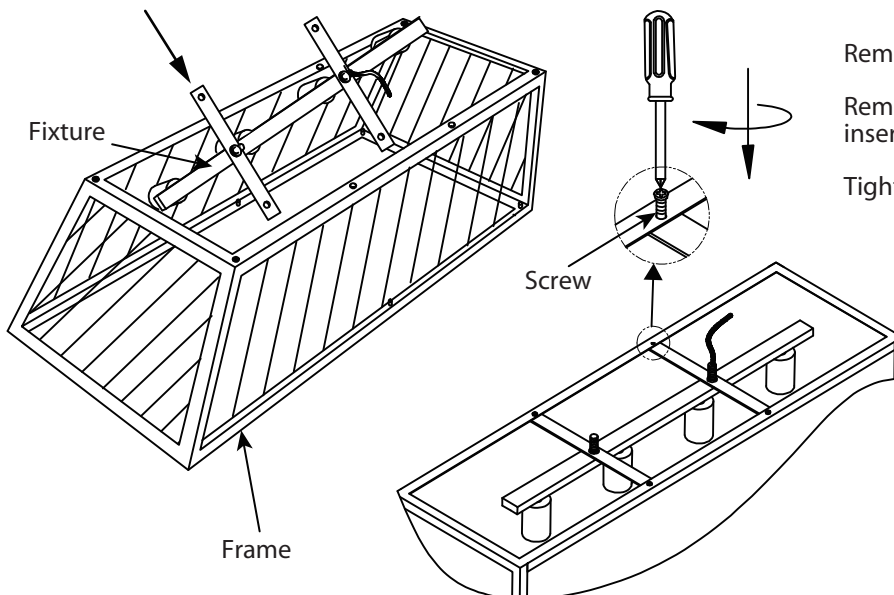
Repeat steps for the other long glass and short glass.

Step 4



Insert the 4 plastic bushings as shown.

Step 5

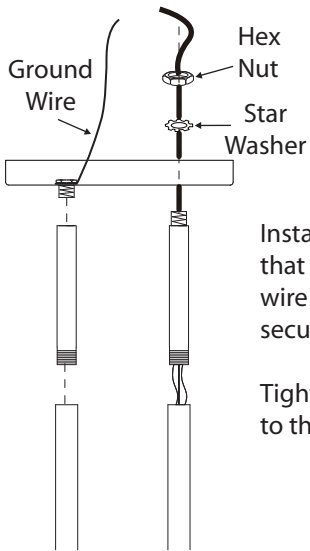


Remove the 2 studs on the frame in step 1.

Remove the 4 screws on the fixture, then insert the fixture into the frame as shown.

Tighten the 4 screws to hold the fixture in place.

Step 6

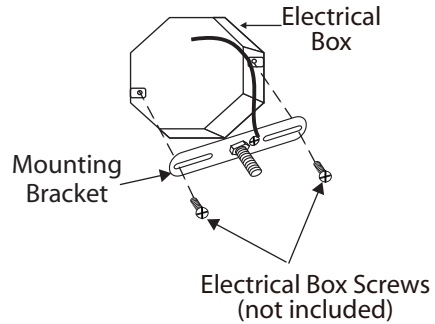


Install the length of rod that is required by threading wire through the rod and securing it to the fixture.

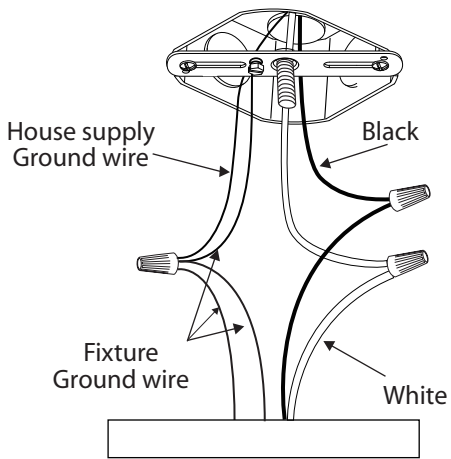
Tighten the hex nut and washer to the stem on the canopy.

Step 7

Attach mounting bracket to electrical box with electrical box screws (not included).



Step 8

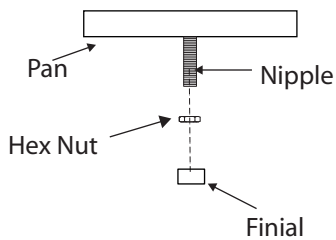


Connect the ground wires (bare copper or green) from your fixture to the ground wire (bare copper or green) or ground screw in the electrical box. Connect the black wire from the fixture to the black wire in the electrical box and connect the white wire from the fixture to the white wire in the electrical box.

Once connections of wires are completed, carefully tuck wires and wire nuts into the electrical box making sure no bare wire (on the black and white) is visible at the wire nuts.

Step 9

Secure the pan to the nipple by tightening the hex nut. Screw the finial to the nipple.



Step 10

Install proper bulb type and wattage (not included).

