

# 7708R, 7808R, 3708, 3708X 3808, 3808X

## Roman Tub Installation Instructions

**CALIFORNIA FAUCETS RECOMMENDS THAT ALL PLUMBING PRODUCTS BE INSTALLED BY A LICENSED PROFESSIONAL**

**IMPORTANT: Read all instructions prior to installation and provide copy of instructions to consumer.**

### Operating Specifications:

Recommended Supply Pressure: 20 to 70 psi [1.4 to 4.8 bar] ††

Maximum Flow Rate: 1.2 gpm [4.5 L/min]

\* Operating pressures between hot and cold supplies should vary no more than 30 psi [2.1 bar].

† If water pressure exceeds 70 psi [4.8 bar], install a Pressure-Reducing Valve (PRV).

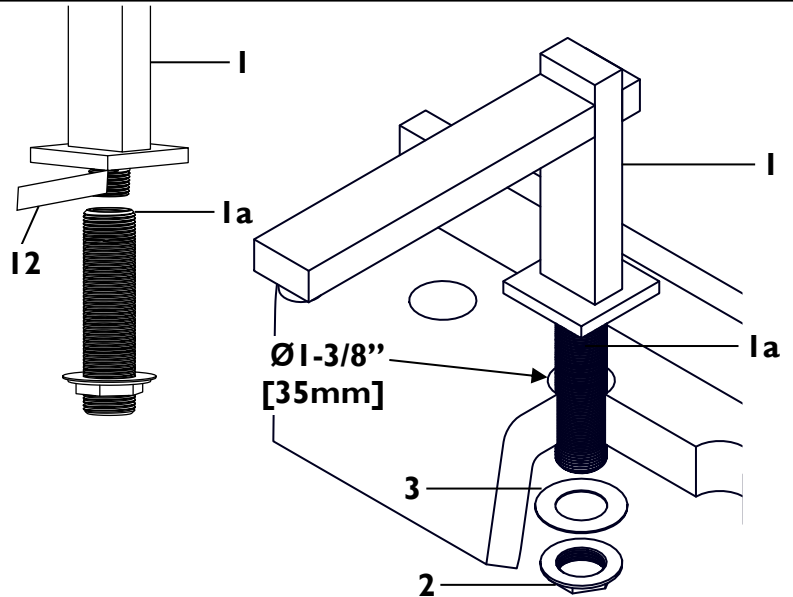
## 1 INSTALLING SPOUT

- Apply Teflon® tape (12) (not supplied) to threaded portion of SPOUT (1) and securely tighten NIPPLE (1a) to SPOUT (1)
- Remove BRASS NUT (2), and WASHER (3) from SPOUT (1)
- Insert spout NIPPLE (1a) through hole in deck

**NOTE:** Sink / Deck recommended hole size is  $\varnothing 1\text{-}3/8"$  [35mm]

- Place WASHER (3), and BRASS NUT (2) onto spout NIPPLE (1a) from below and secure to tub/deck

**NOTE for 78:** Use cup spacer if needed



## 2 INSTALLING VALVES

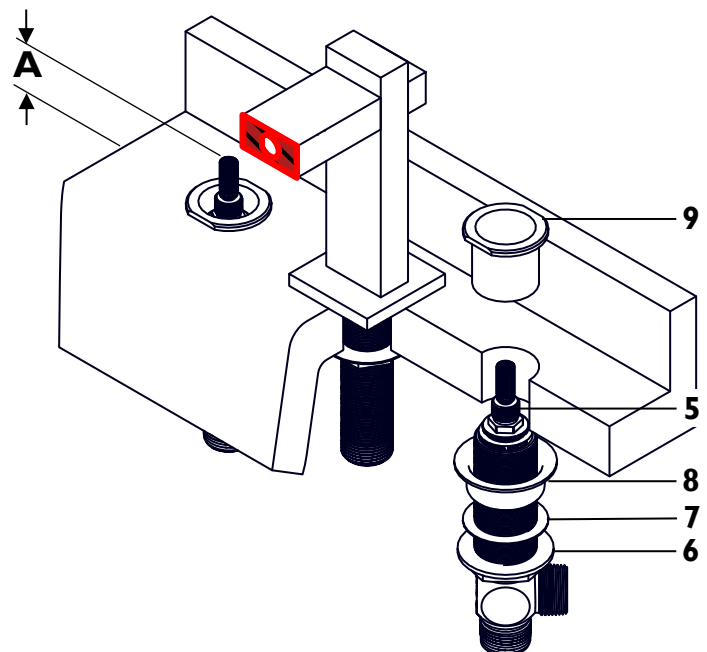
- From underneath insert VALVE (5) through appropriate tub/deck hole

**IMPORTANT:** VALVES (5) are labeled as follows:  
**BLUE** is **COLD** left turning (counter-clockwise) closed  
**RED** is **HOT** right-turning (clockwise) closed

- Position flange NUT (6), WASHER (7), and CUP SPACER (8) (if necessary) so that VALVE (5) extends above tub/deck surface according to table

Series	A (in & [mm])
77R/78R	1-1/8" [29]
37/37X 38/38X	1-1/16" [27]

- Secure VALVE (5) with INVERTED NUT (9)



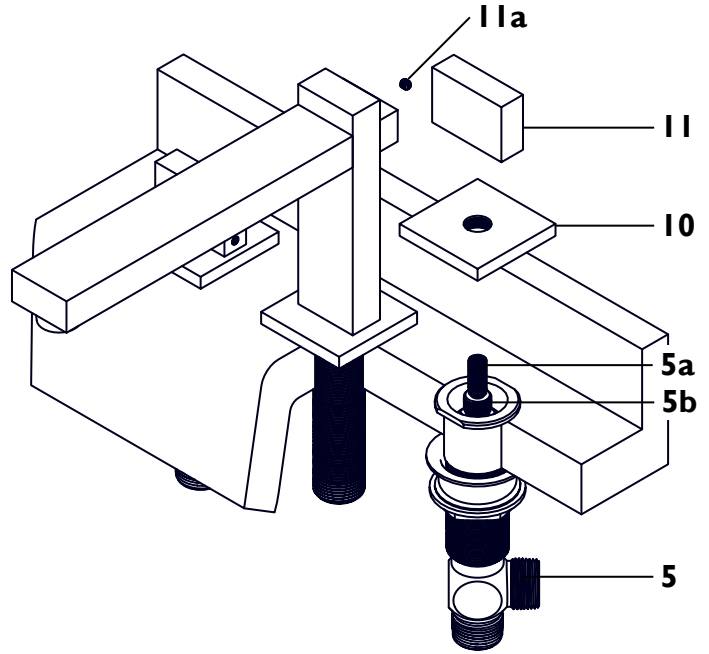
### 3 INSTALLING HANDLE

- Place handle BASE (10) onto valve THREADS (5b)

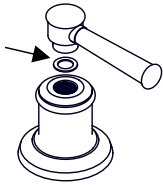
**NOTE:** Use a ruler or straight edge to align square spout and handle bases

- Loosen SETSCREW (11a) from HANDLE (11)
- Slide HANDLE (11) down onto and engage valve STEM (5a)
- Secure HANDLE (11) with SETSCREW (11a)

**IMPORTANT:** To obtain proper alignment it may be necessary to rotate VALVE (5) so that HANDLE (11) is aligned to desired orientation.



**NOTE:** INSTALL WASHER UNDER HANDLE(S) TO ACHIEVE PROPER GAP BETWEEN HANDLE AND ESCUTCHEON



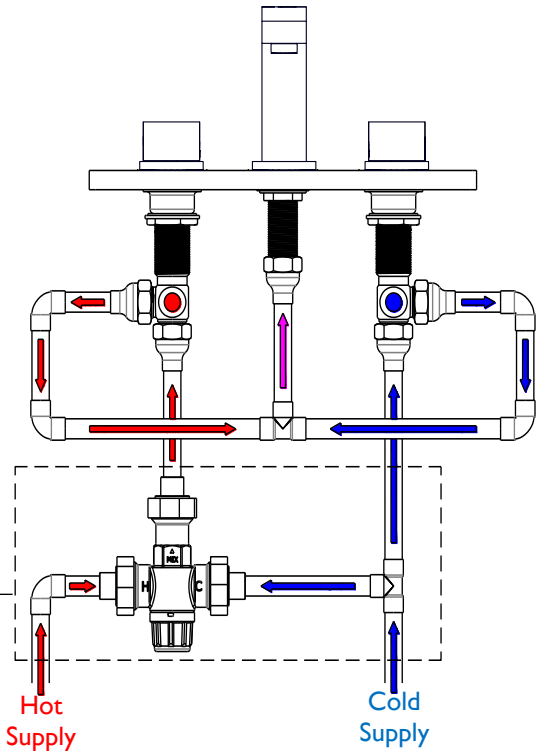
### 4 INSTALLING SUPPLY LINES

- Must use rigid copper piping (not flex) for all connections between spout and valves
- California Faucets recommends that all installation types have access panel(s) to allow for maintenance and/or service

**Disclaimer:** To conform to local codes and/or ordinances, it may be required that California Faucets Roman Tub sets be installed in conjunction with an ASSE 1070 approved tempering valve or equivalent (not included) to reduce hot water supply to a safe temperature.

**Important:** the INSTALLER is responsible to check local codes and/or ordinances, to confirm and verify proper maximum hot water temperature settings for all products installed

**Warning:** Water temperatures in excess of 110° F (43°C) are dangerous and may cause severe scalding and injury



Typical installation of ASSE 1070 tempering valve (follow tempering valve instructions)