



California Faucets®

San Elijo™

Roman Tub Handshower & Diverter

Features

- 25+ artisan finishes including 12 PVD finishes
- All brass construction
- Handshower and swivel nut with 1/2" MIP inlets
- 2.0gpm (7.6 L/min) or 1.8gpm (6.8 L/min) max flow rate
- Durable 84" black poly braided hose, provides quiet non-marring operation
- Includes diverter valve (DDV-R)

38.62.18
 38.62.20
 38T.62.18
 38T.62.20
 38X.62.18
 38X.62.20
 38XT.62.18
 38XT.62.20

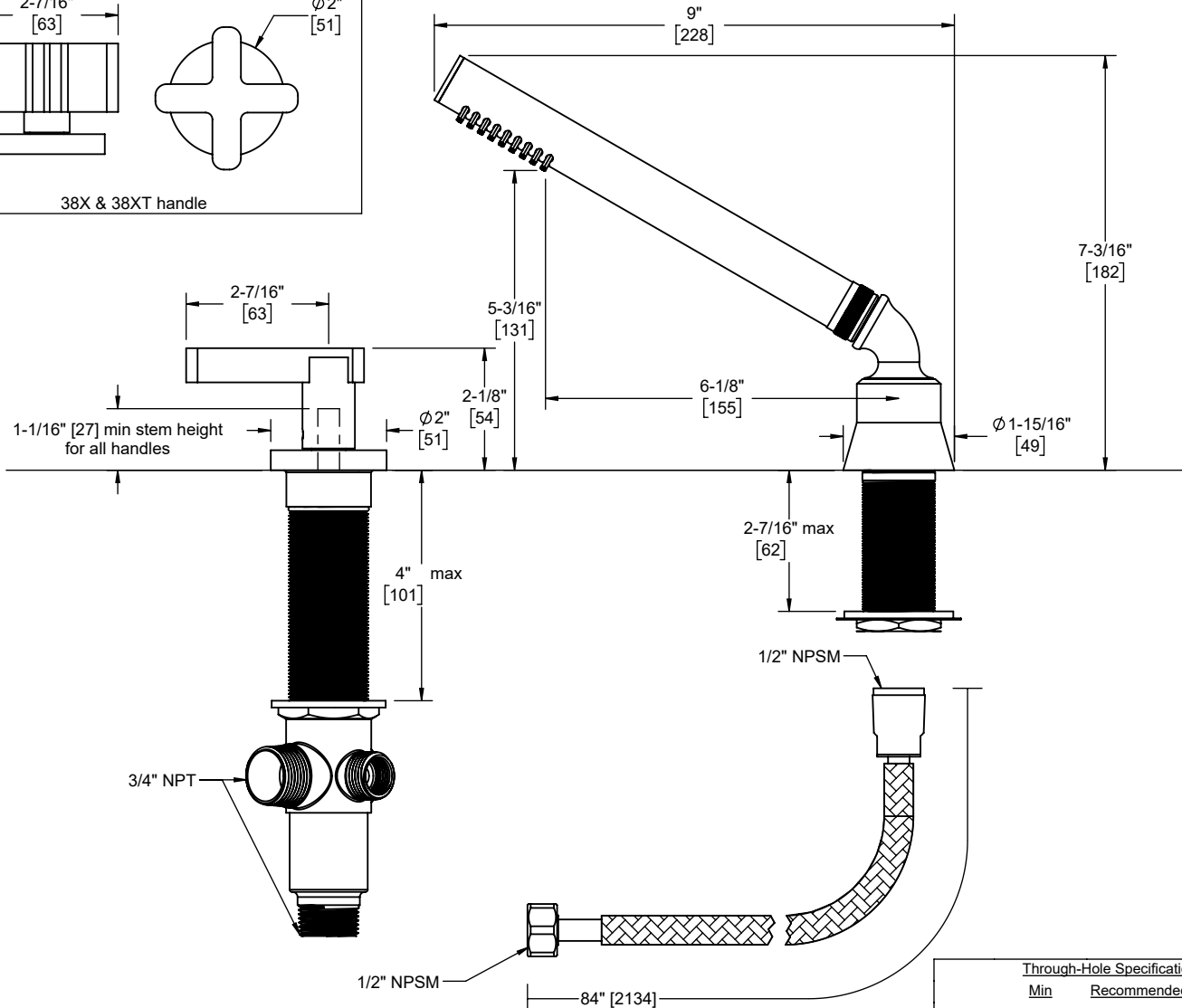
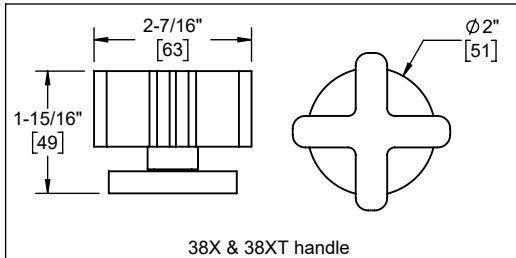
Codes/Standards Applicable

Product meets or exceeds the following:

- ASME A112.18.1/CSA B125.1
- NSF 61, NSF 372, CEC (1.8 gpm) & DOE (1.8 & 2.0 gpm)
- EPA WaterSense (2.0 gpm)
- Commonwealth of MA
- ADA compliant (lever handle only)



38.62.FR shown



Through-Hole Specifications			
	Min	Recommended	Max
Shower:	Ø1-1/4" [32]	Ø1-1/4" [32]	Ø1-13/16" [46]
Valve:	Ø1-7/16" [37]	Ø1-1/2" [38]	Ø1-3/4" [44]

Dimensions are inches, rounded to 1/16"
[Dimensions in brackets are mm, rounded to 1mm]

Specifications subject to change without notice