

Rainscape™ Showerhead Installation Instructions

CALIFORNIA FAUCETS RECOMMENDS THAT ALL PLUMBING PRODUCTS BE INSTALLED BY A LICENSED PROFESSIONAL

IMPORTANT: Read all instructions prior to installation and provide copy of instructions to consumer.

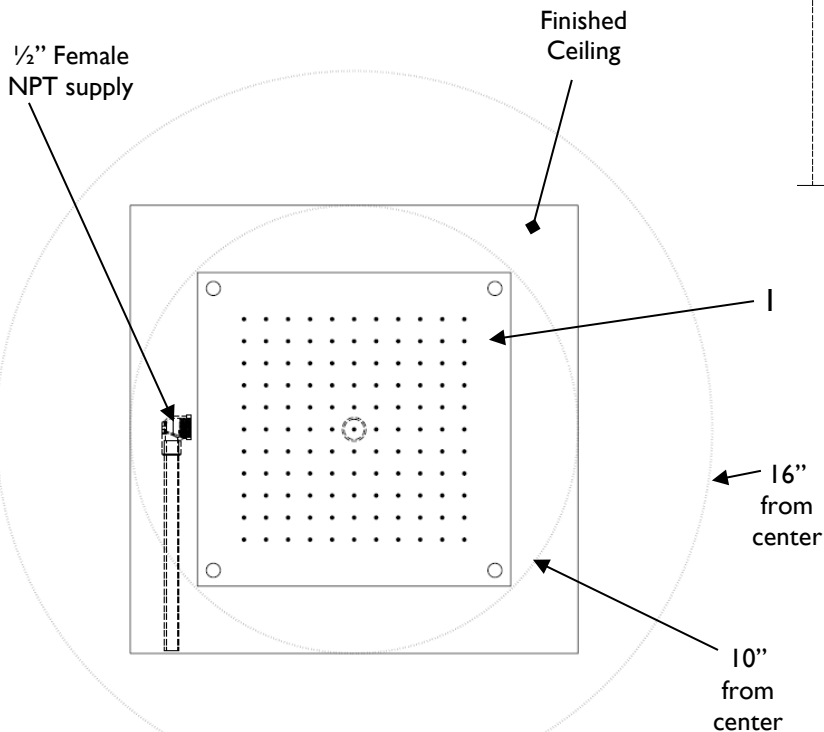
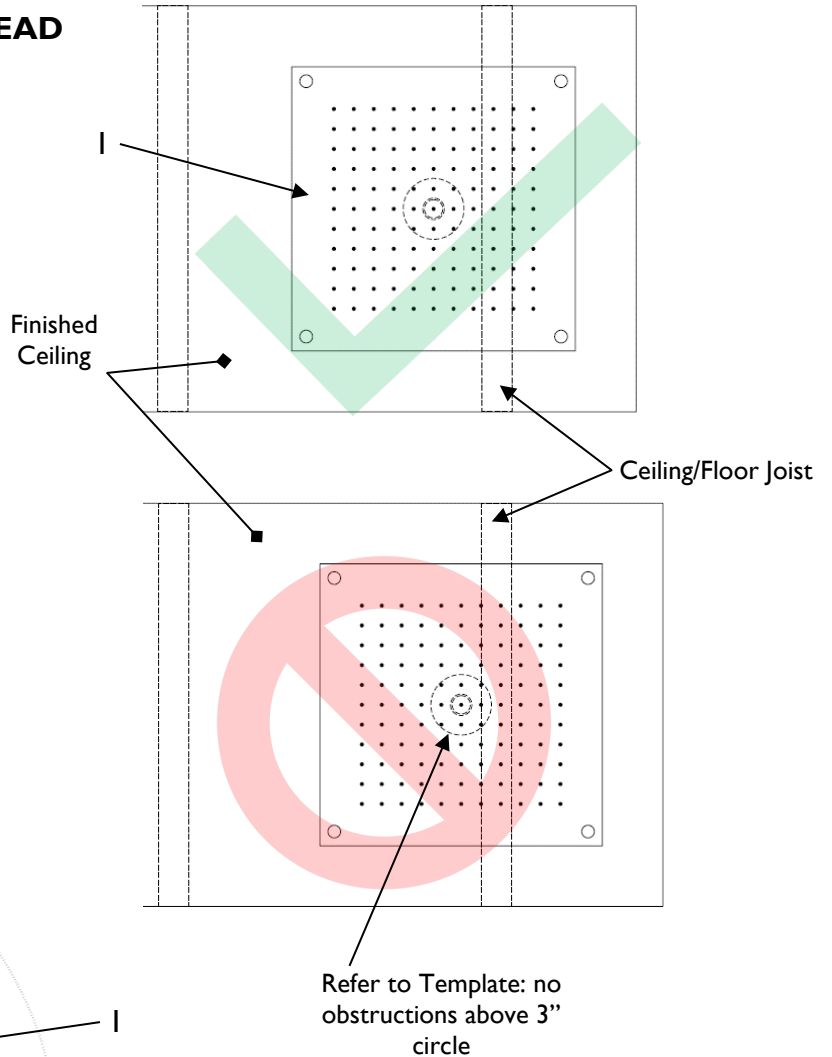
PREPARING CEILING FOR SHOWERHEAD

NOTE: Please read over these instructions thoroughly before beginning installation. Make sure that you have all the tools and supplies needed to complete the installation

IMPORTANT: The **INSTALLER** must be aware of ceiling construction and finishing materials to properly install the **SHOWERHEAD (1)**.

- Determine desired location where **SHOWERHEAD (1)** will be installed
- Locate the ceiling joists and any other obstructions that may affect installation
- Access to ½" NPT (female) water supply shall be provided within 10" to 16" of showerhead center

NOTE: The desired location of **SHOWERHEAD (1)** placement may be affected by placement of ceiling joists or other obstructions directly above the center of the **SHOWERHEAD (1)**; refer to shaded area shown on **TEMPLATE (2)**

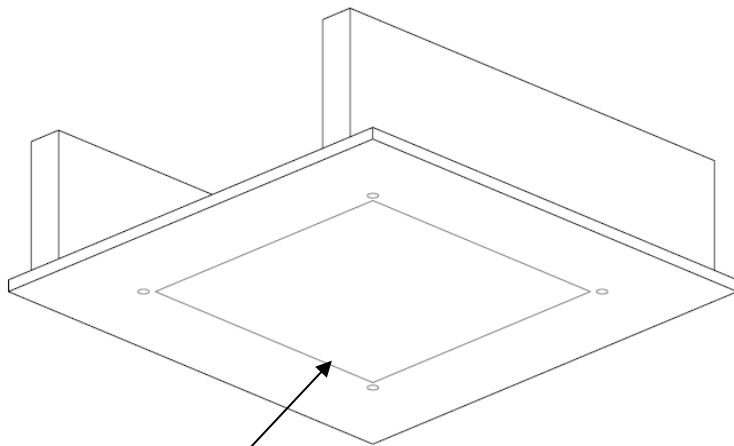


2 CUT OUT CEILING

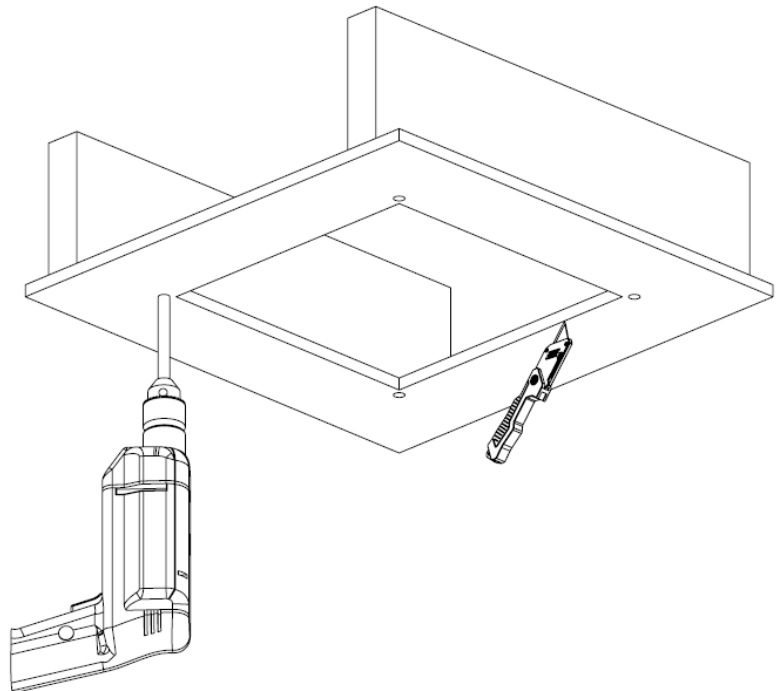
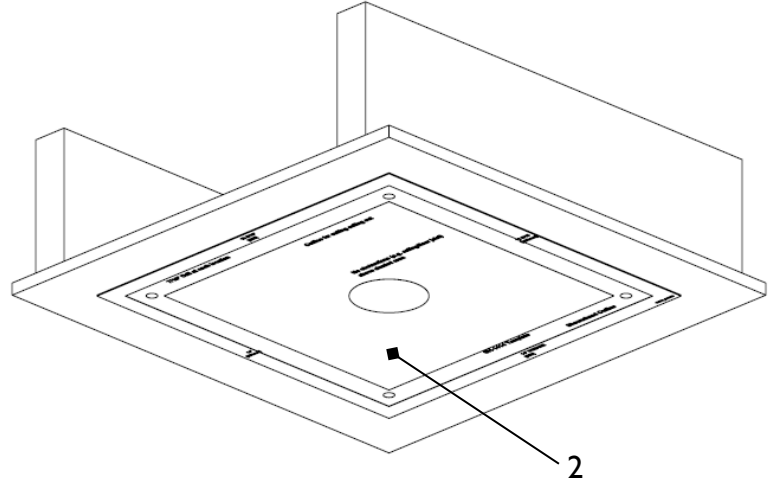
NOTE: Following step shall be performed on finished (e.g., paint, tile, etc.) ceiling surface.

- Tape or tack provided **TEMPLATE (2)** to ceiling
- Mark onto the ceiling locations for mounting holes and cutout for **SHOWERHEAD (1)**
- Use appropriate tools (e.g., utility knife, drill, etc.) to carefully drill mounting holes and showerhead cutout

IMPORTANT: Exact mounting hole locations and cutout for **SHOWERHEAD (1)** is critical to ensure proper installation



Markings from tracing template



3 INSTALLING SUPPLY LINE

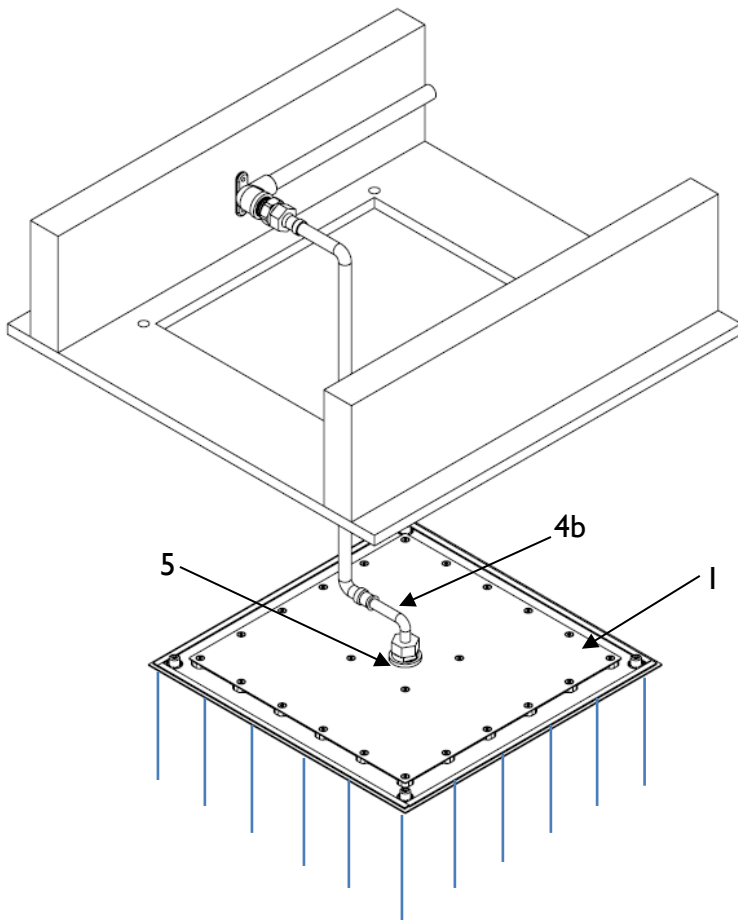
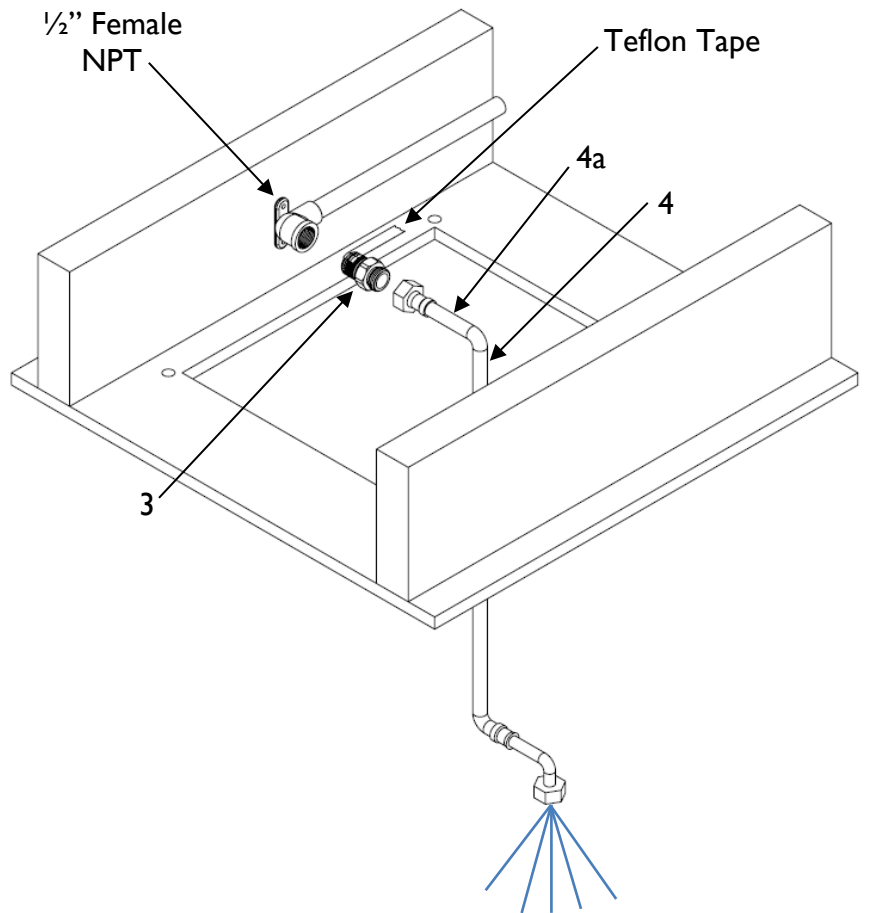
- Apply 2-3 wraps of Teflon tape to tapered end (long end) of **ADAPTER (3)**
- Tighten **ADAPTER (3)** onto ½" NPT (female) water supply
- Secure **STRAIGHT END (4a)** of **HOSE (4)** onto **ADAPTER (3)**

NOTE: Before attaching showerhead, turn on water supply valve and flush system for 2 minutes

- Secure **90° BENT END (4b)** of **HOSE (4)** showerhead **INLET (5)**

IMPORTANT: **SHOWERHEAD (1)** may need to move to different location if there are any obstructions above the shaded area, marked in the template.

- Prior to mounting **SHOWERHEAD (1)** in place, turn on water supply valve and check for leaks at all connects



4 MOUNT SHOWERHEAD

NOTE: Follow one or both of the following attachment methods based on ceiling construction

Non-supported ceiling: **NO** ceiling/floor joists located behind mounting locations on **SHOWERHEAD (1)**

Supported ceiling: **YES** ceiling/floor joists located behind mounting locations on **SHOWERHEAD (1)**

Non-supported ceiling attachment method (use toggle screw(s))

- Remove toggle **ANCHOR (9)** from **SCREW (8)**
- Insert **SCREW (8)** into showerhead **MOUNT (1a)**
- Attach toggle **ANCHOR (9)** onto **SCREW (8)**
- Push toggle **ANCHOR (9)** into drilled hole locations(s)
- Tighten **SCREW (8)** to secure **SHOWERHEAD (1)** in place

Supported ceiling attachment method (use wood screw(s))

- Tighten wood **SCREW (7)** to secure **SHOWERHEAD (1)** in place
- Install decorative **CAPS (6)** to cover **SCREWS (7)** or (8)

