

CALIFORNIA FAUCETS RECOMMENDS THAT ALL PLUMBING PRODUCTS BE INSTALLED BY A LICENSED PROFESSIONAL

IMPORTANT: Read all instructions prior to installation and provide copy of instructions to consumer.

Operating Specifications:

Recommended Supply Pressure: 20 to 70 psi [1.4 to 1.8 bar] ††

Maximum Flow Rate: 10 gpm [37.8 L/min]

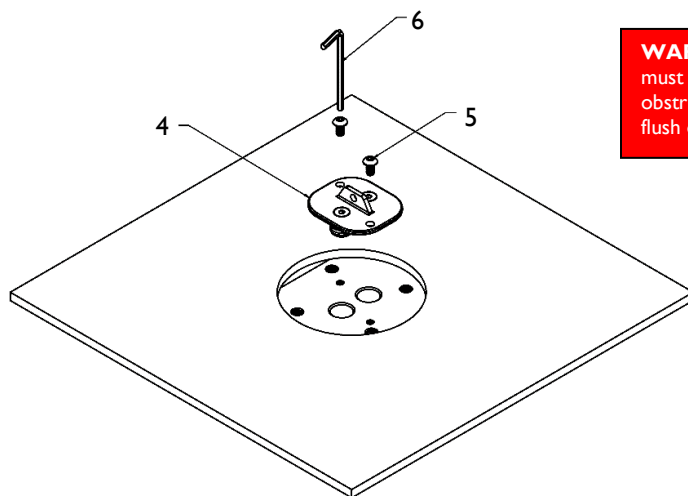
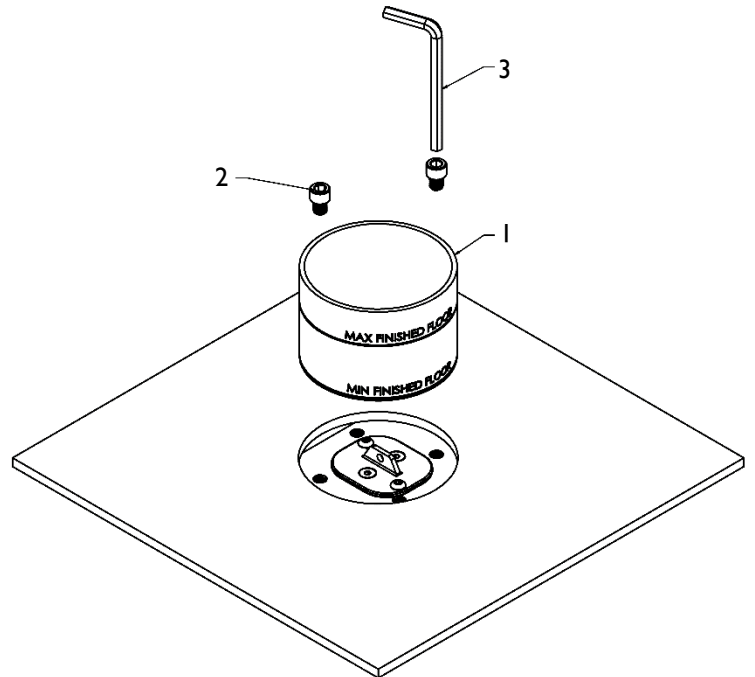
* Operating pressures between hot and cold supplies should vary no more than 30 psi [2.1 bar].

† If water pressure exceeds 70 psi [4.8 bar], install a Pressure-Reducing Valve (PRV).

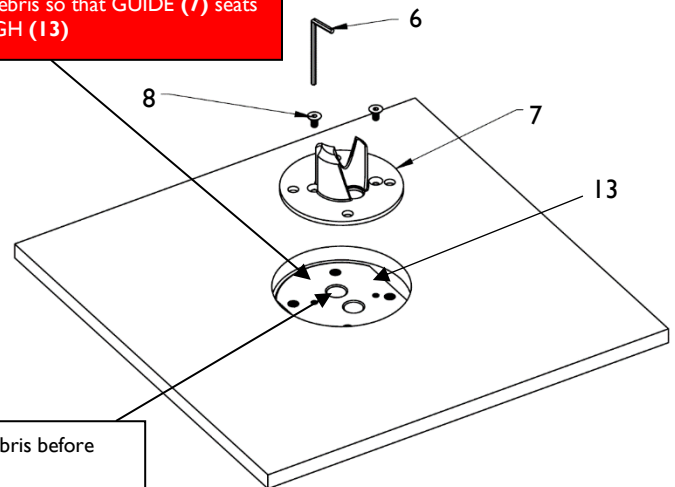
I PREPARE ROUGH

IMPORTANT: Shut off water supply before starting.

- Remove MUDGUARD (1) by unthreading SCREWS (2) from inside the MUDGUARD (1) using 3/16" HEX ALLEN KEY (3)
- Remove PLUG (4) by unthreading the two SCREWS (5) using 1/8" HEX ALLEN KEY (6)
- Attach GUIDE (7) by tightening SCREWS (8) using 1/8" HEX ALLEN KEY (6)



WARNING: Top surface of ROUGH (13) must be clean and free of any obstructions/debris so that GUIDE (7) seats flush on ROUGH (13)

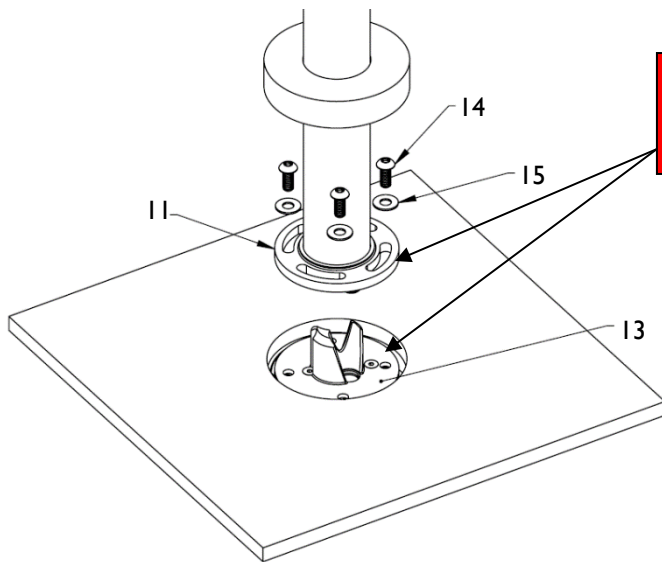
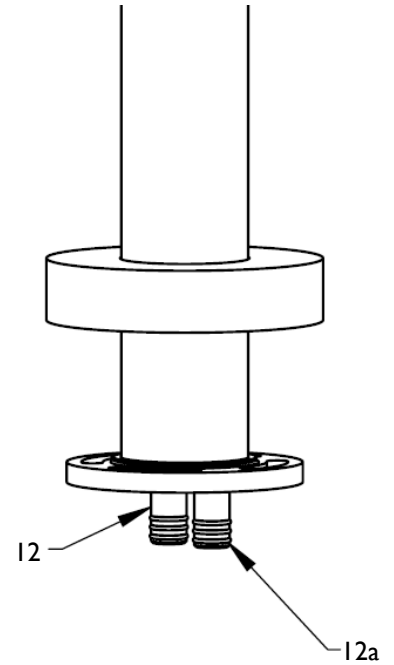
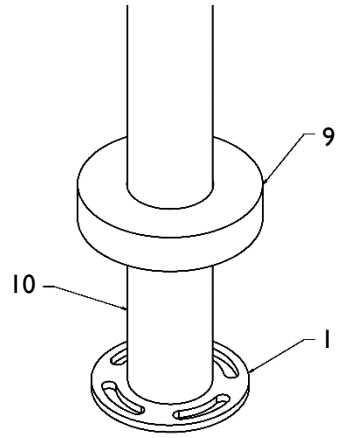


NOTE: Check holes are free of debris before tightening SCREWS (8)

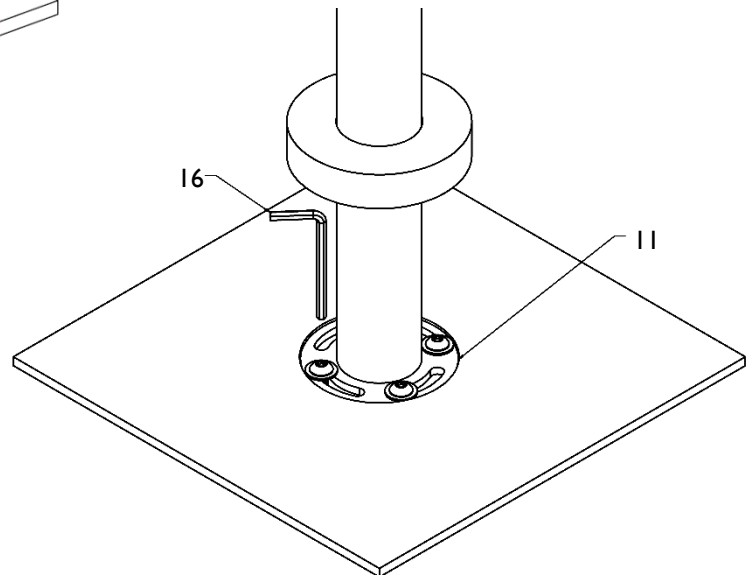
2

ATTACH LEG TO ROUGH

- Slide COVER (9) up LEG (10) to allow enough room to access MOUNTING FLANGE (11)
- Ensure that there is sufficient grease on all O-RINGS (12a) on quick SUPPLY TUBES (12) and insert into the ROUGH (13)
- Hand tighten BOLTS (14) with WASHERS (15) through MOUNTING FLANGE (11) and into the ROUGH (13)
- Using a 3/16" HEX ALLEN KEY (16) securely tighten MOUNTING FLANGE (11) onto ROUGH (13)
- Leave cover up until STEP 4



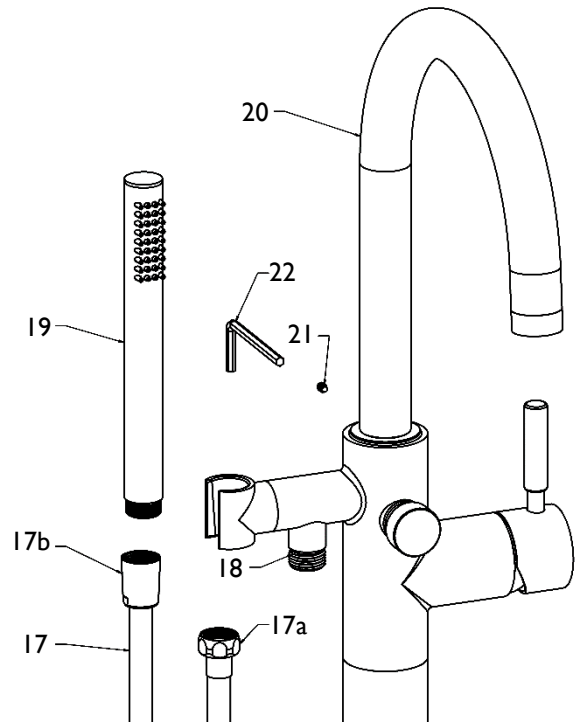
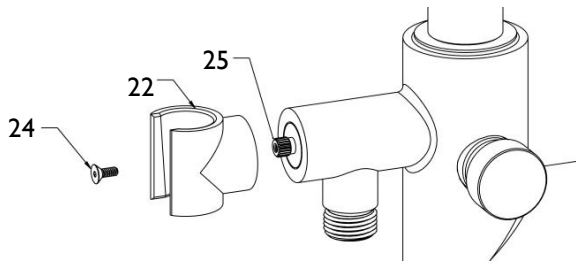
WARNING: FLANGE (11) must seat flush against GUIDE (7) to prevent leaks



3

FINAL CONNECTIONS

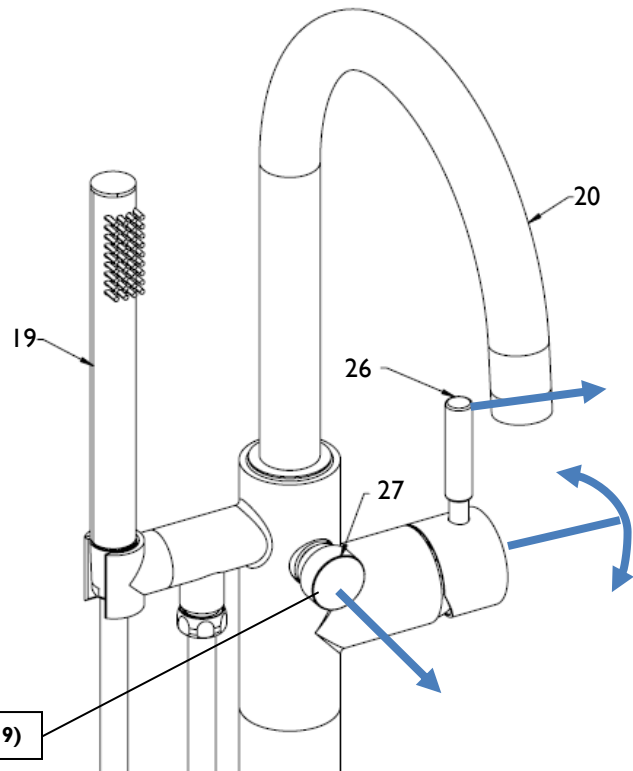
- Attach HEX (17a) nut of HOSE (17) to hose outlet of BODY (18)
- Attach CONICAL (17b) nut of HOSE (17) to inlet of HANDSHOWER (19)
- Rotate SPOUT (20) to desired location then tighten SETSCREW (21) with 3/32" ALLEN KEY (22)
- If desired the angle of the handshower HOOK (23) can be rotated to a different angle
 - Remove SCREW (24) and pull out HOOK (23)
 - Rotate HOOK (23) to desired angle and place back on to STEM (25)
 - Tighten SCREW (24) into STEM (25)



4

TEST SECTION

- Have helper turn on water supply
- Check for leaks around mounting flange
- Operate faucet diverter from tub spout handshower and check for leaks
- Pull HANDLE (26) outward for water flow; water will flow from SPOUT (20)
- Pull diverter KNOB (27) to operate HANDSHOWER (19)
- Slide cover down leg until flush with floor, it may be necessary to twist and rotate cover to aid in proper seating



NOTE: PULL to divert to HANDSHOWER (19)