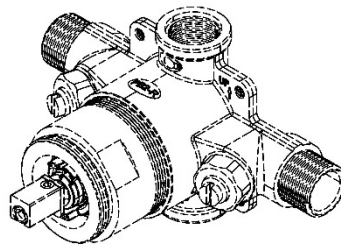
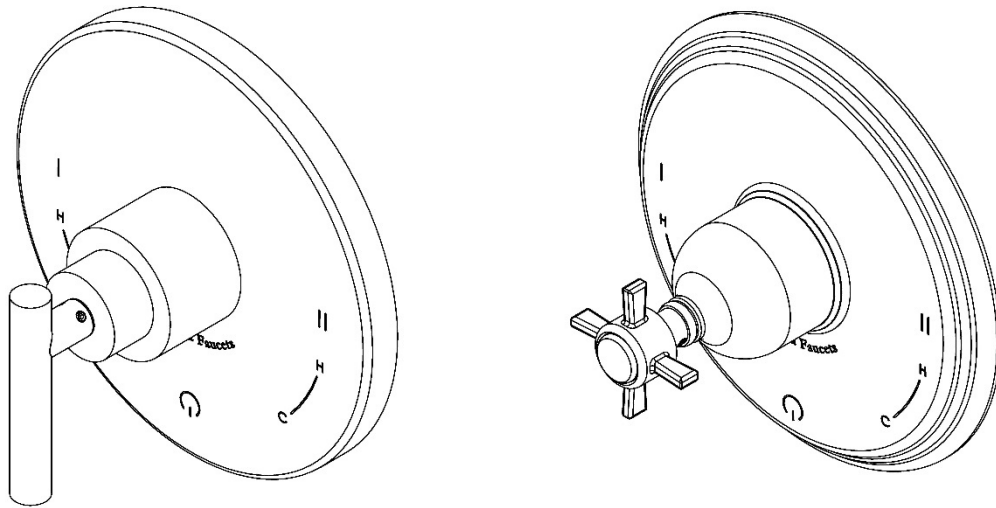


TO-PB2L-XX

1/2" Pressure Balance Dual Outlet Valve Trim

Installation Instructions



**PB2-R
(ROUGH)**



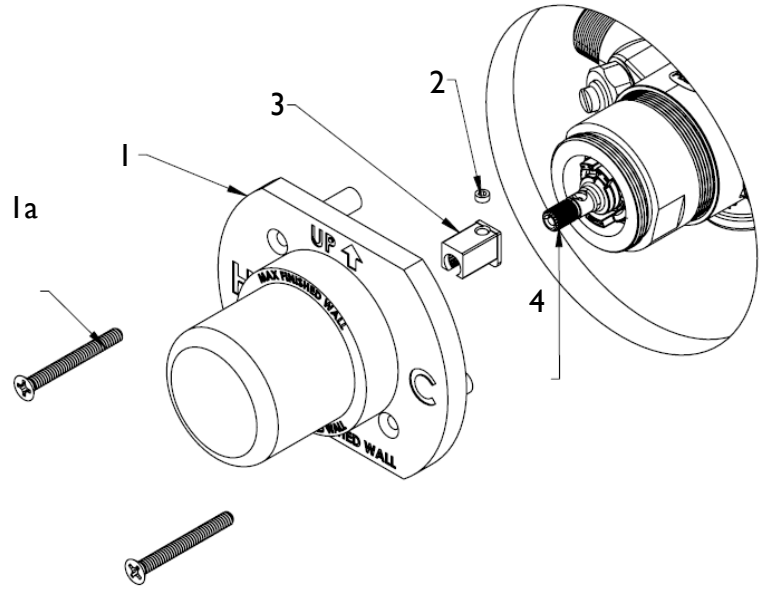
I TEMPERATURE SETTING

- Remove MUDGUARD SCREWS (1a), MUDGUARD (1), SETSCREW (2), and stem GUARD (3) from cartridge STEM (4)

WARNING: This valve is factory set to deliver water at the highest temperature possible. It is the **installer's responsibility** to properly set the desired and/or required maximum temperature setting to prevent risk on scalding or other severe injury prior to consumer use. The valve **MUST** have the high temperature limit stop set during installation. The installer is responsible to set this high temperature limit based on user preferences and all local plumbing code requirements. This valve does **NOT** monitor temperature. The valve will avoid anti-scald situations, due to pressure and flow fluctuations in supply lines, by regulating pressure during operation.

- Remove O-RING (4a) and both temperature limit STOP (4b) from cartridge STEM (4)

IMPORTANT: To prevent severe injury, maximum temperature setting should be no greater than 115°F. The high temperature **MUST** meet all local plumbing code requirements. Use temperature measuring device at outlet flow to determine maximum temperature.



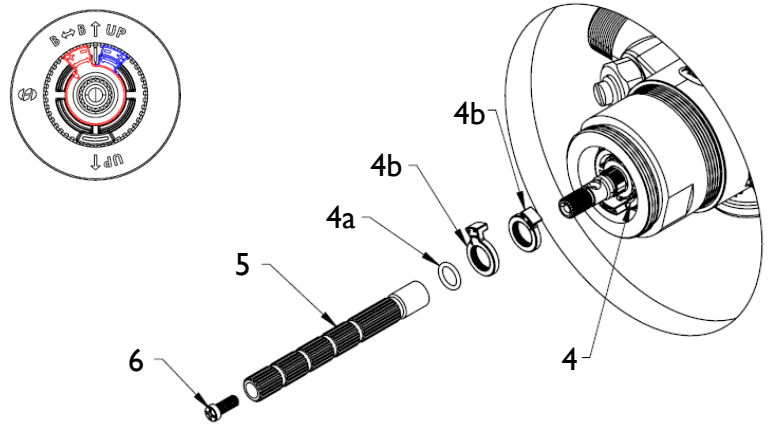
For Outlet "1"

- Slowly rotate STEM (4) clockwise (CW) to desired hottest temperature (becomes hotter as STEM (4) is rotated (CW))
- Place STOP (4b) onto STEM (4)

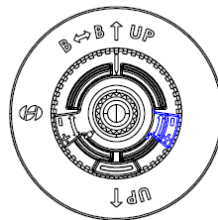
For Outlet "2"

- Slowly rotate STEM (4) counter-clockwise (CCW) to desired hottest temperature (becomes hotter as STEM (4) is rotated (CCW))
- Place STOP (4b) onto STEM (4)
- Place O-RING (4a) onto STEM (4)
- Place stem EXTENSION (5) onto cartridge STEM (4) and secure in place with SCREW (6) as shown

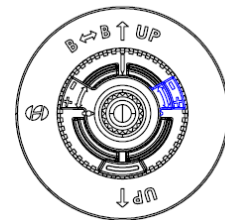
Outlet "1" & "2" Factory Setting "Hot"



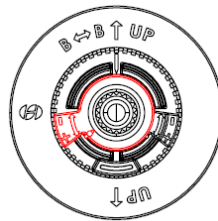
Outlet "1" Reduced Setting "Cool"



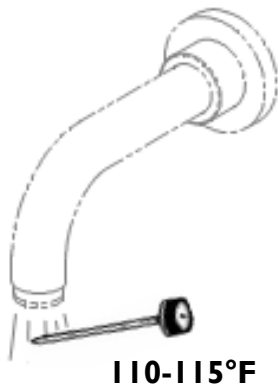
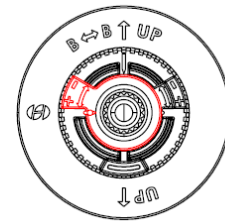
Outlet "1" Reduced Setting "Warm"



Outlet "2" Reduced Setting "Cool"



Outlet "2" Reduced Setting "Warm"



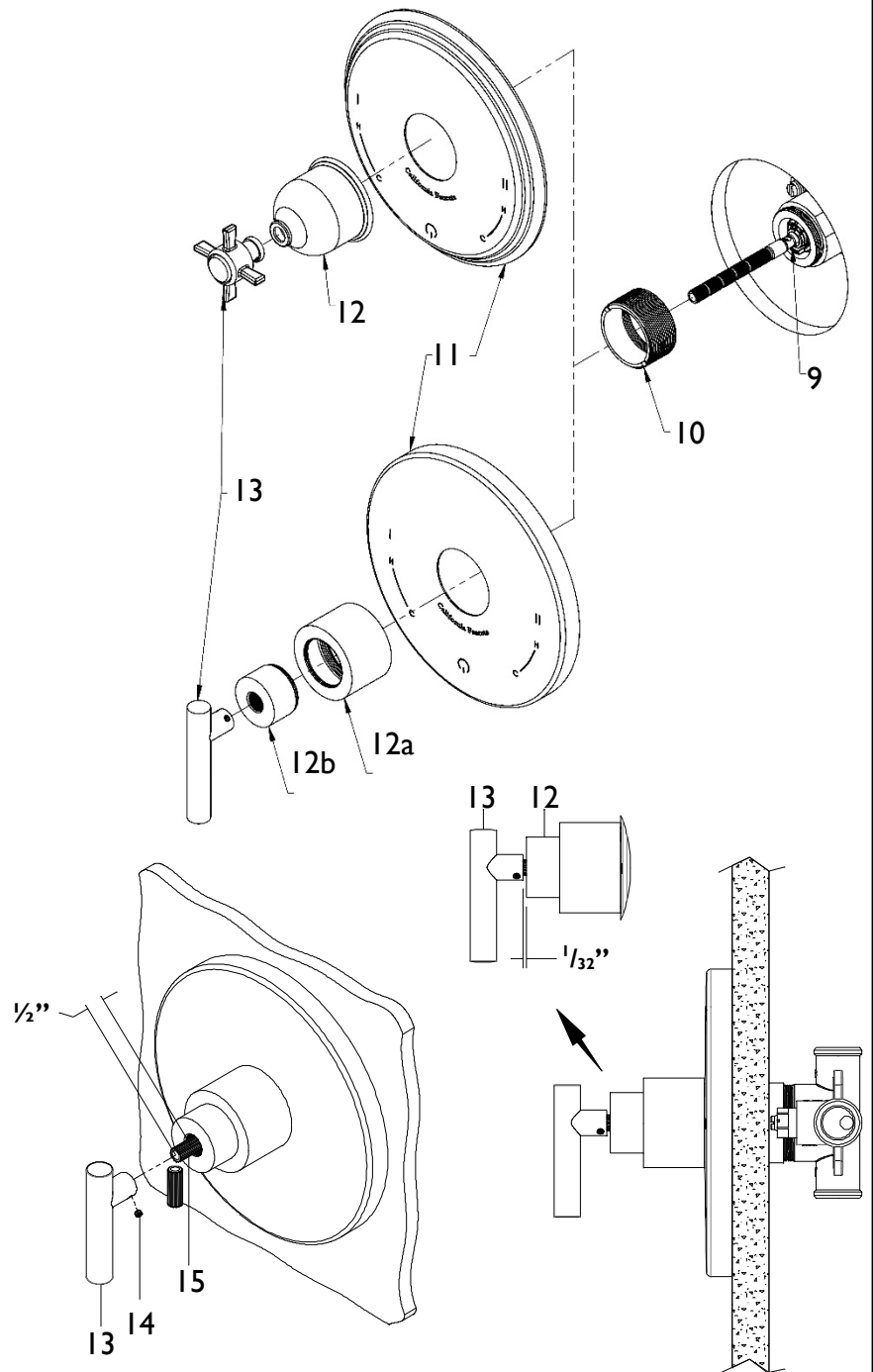
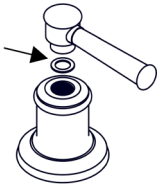
2 INSTALL TRIM

Important: Prior to performing the next steps, the finished wall surface **MUST** be completed

- Attach BUSHING (10) onto CARTRIDGE NUT (9)
- Place SHOWERPLATE (11) onto BUSHING (10)
- Tighten ESCUTCHEON (12) or (12a) onto BUSHING (10) until SHOWERPLATE (11) is secure to finished wall surface. An additional BONNET (12b) may be supplied based on product style, this BONNET (12b) shall be attached to ESCUTCHEON (12a) prior to affixing HANDLE (13)
- Trim STEM (15) to allow $\frac{1}{2}$ " of STEM (15) to protruded out from ESCUTCHEON (12)
- Place HANDLE (13) onto STEM (15)
- Allow for $\frac{1}{32}$ " (thickness of credit card) of gap between ESCUTCHEON (12) and HANDLE (13)
- Tighten SETSCREW (14) to secure HANDLE (13) onto STEM (15)

NOTE: Trim extension kits available for extra thick finished wall and/or valve positioned too deep into wall

NOTE:
INSTALL WASHER
UNDER HANDLE(S)
TO ACHIEVE PROPER
GAP BETWEEN
HANDLE AND
ESCUTCHEON



3 MAINTENANCE

- For detailed maintenance of the valve components:
See [PB2-R 1/2" Pressure Balance Dual Outlet Valve Rough Installation Instructions](#)

IMPORTANT: After performing any maintenance procedures, it is necessary to verify **TEMPERATURE SETTINGS**

- See **1 TEMPERATURE SETTING**
- See **2 INSTALL TRIM**

See complete finish care instructions at www.calfaucets.com

- Wipe dry after each use with a soft dry cloth to prevent water-spotting and mineral build-up
- Clean and wax regularly
 - For Living Finishes (e.g. Weathered Brass, Weathered Copper, Oil Rubbed Bronze, Rustico Bronze) we recommend Renaissance Wax
 - For all other finishes, we recommend Faucet Brite, which contains both gentle cleansers and a fine wax coating. Otherwise, clean with mild soap and water, then apply a quality car wax or floor paste wax
- Avoid all abrasive and aggressive chemicals (e.g. Soft Scrub®)
- Do not use abrasive cleaning pads (e.g. Scotch-Brite®)
- Avoid ammoniated products (e.g. window cleaner, tile cleaners, etc.)
- Avoid bleach
- Do not allow water to come into prolonged contact with faucet surface, wipe down after each use

Failure to follow these care instructions may result in damage to product finish and void warranty.

IMPORTANT: Instructions to the Installer

Please read these instructions, fill in blanks below, and then give these instructions to the end user.

WARNING: Risk of Scalding

This valve **MUST** have the TEMPERATURE SETTING verified during installations. The **INSTALLER** is responsible for installing the valve and setting of water temperature in accordance with these instructions.

THIS PRESSURE BALANCE VALVE HAS BEEN PRESET

BY _____

OF _____

TO A MAXIMUM DISCHARGE TEMPERATURE OF _____°F.

ANY CHANGES TO THIS SETTING MAY INCREASE THE DISCHARGE TEMPERATURE AND COULD RISK SCALDING OF END USER.

DATE _____

CAUTION: Danger of scald injury. Valve can be set to provide highest possible water temperature as supplied by water heater. The valve temperature must be set by installer to provide desired user comfort levels as well as meet all local plumbing code requirements. The responsibility for the proper installation and high limit temperature setting of this valve lies with the installer.

www.calfaucets.com

5271 Argosy Ave. Huntington Beach, CA 92649

800-822-8855