



California Faucets®

**Cayucos™**

Roman Tub Set

**4008  
4008X**

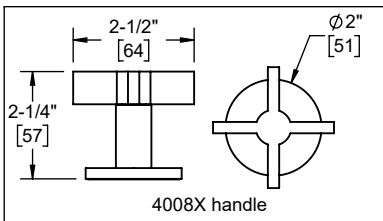
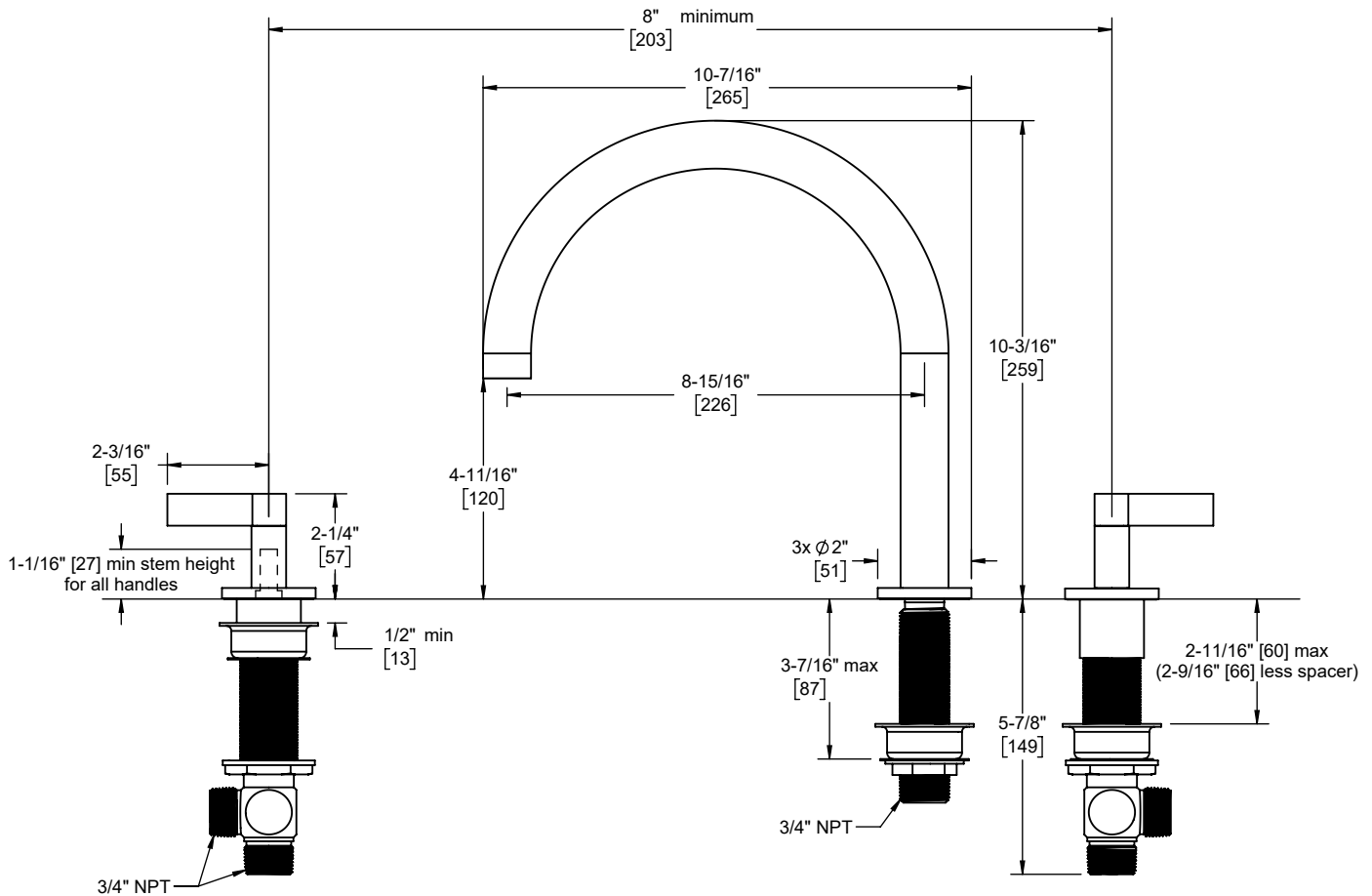
**Features**

- 25+ artisan finishes including 12 PVD finishes
- All brass construction
- 16gpm (60.6 L/min) max flow rate
- Comes as complete set with trim and valves

**Codes/Standards Applicable**

Product meets or exceeds the following:

- ASME A112.18.1/CSA B125.1
- ADA compliant (blade lever handle only)
- Installation of upstream tempering device may be required (verify local codes)



|        | Through-Hole Specifications |               |               |
|--------|-----------------------------|---------------|---------------|
|        | Min                         | Recommended   | Max           |
| Spout: | Ø 1-1/16" [27]              | Ø 1-3/8" [35] | Ø 1-1/2" [38] |
| Valve: | Ø 1-3/8" [27]               | Ø 1-1/2" [38] | Ø 1-1/2" [38] |

Dimensions are inches, rounded to 1/16"  
[Dimensions in brackets are mm, rounded to 1mm]

Specifications subject to change without notice