



4008Q  
4008QX

### Features

- 25+ artisan finishes including 12 PVD finishes
- All brass construction
- 16gpm (60.6 L/min) max flow rate
- Comes as complete set with trim and valves

### Codes/Standards Applicable

Product meets or exceeds the following:

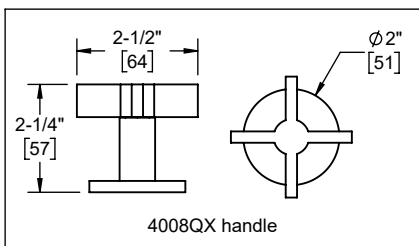
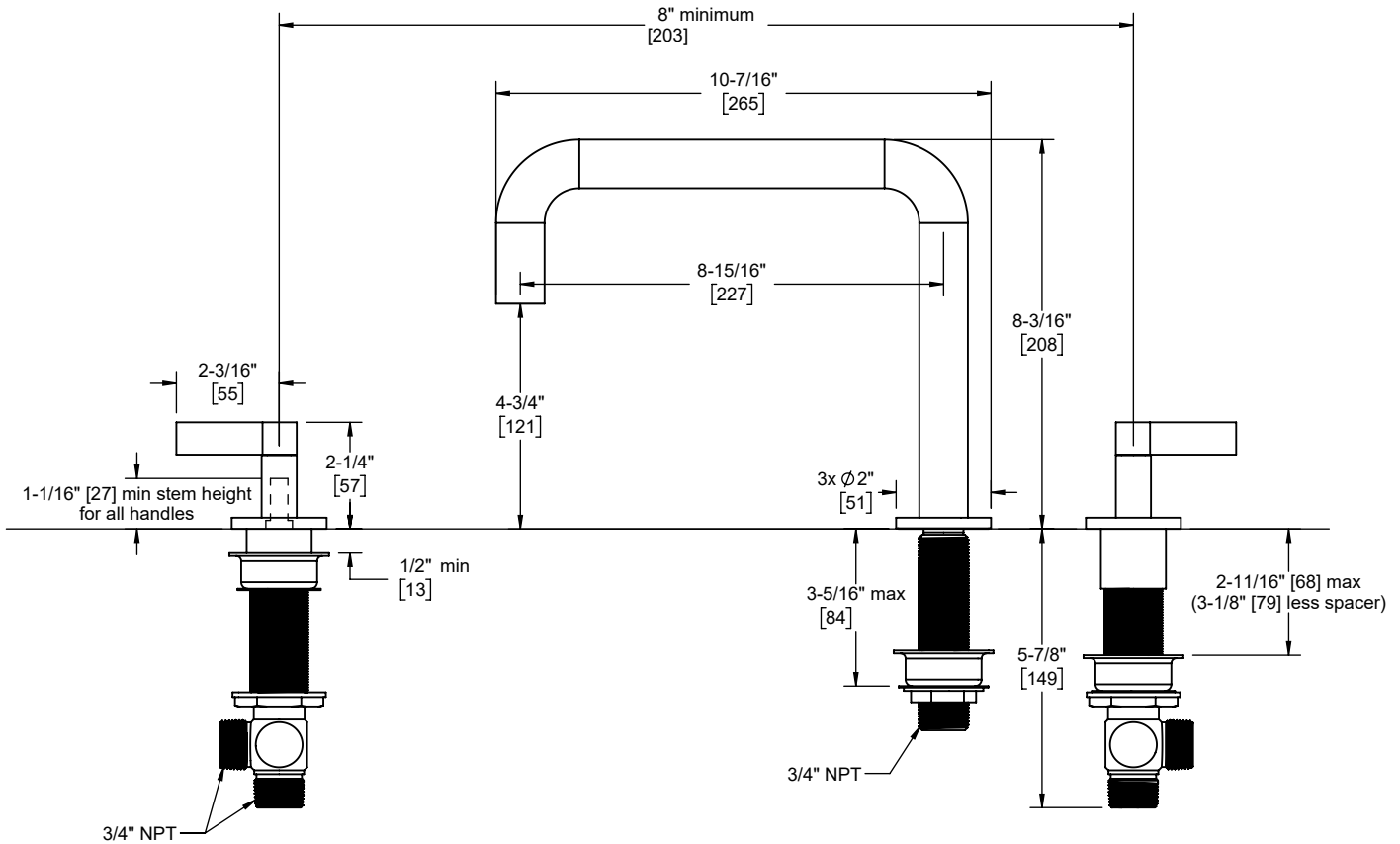
- ASME A112.18.1/CSA B125.1
- Commonwealth of MA
- ADA compliant (blade lever handle only)
- Installation of upstream tempering device may be required (verify local codes)



4008Q shown



4008QX



	Through-Hole Specifications		
	Min	Recommended	Max
Spout:	Ø 1-1/16" [27]	Ø 1-3/8" [35]	Ø 1-1/2" [38]
Valve:	Ø 1-3/8" [35]	Ø 1-1/2" [38]	Ø 1-1/2" [38]

Dimensions are inches, rounded to 1/16"  
[Dimensions in brackets are mm, rounded to 1mm]