



California Faucets®

Jalama®

Two Handle Lavatory Wall Faucet Trim Only

Features

- 25+ artisan finishes including 12 PVD finishes
- All brass construction
- 1.2gpm (4.5 L/min) max flow rate
- Rough valve (VL-R) sold separately

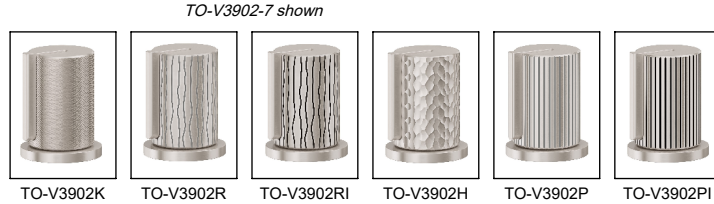


- | | |
|--------------|--------------|
| TO-V3902-9 | TO-V3902-7 |
| TO-V3902K-9 | TO-V3902K-7 |
| TO-V3902R-9 | TO-V3902R-7 |
| TO-V3902RI-9 | TO-V3902RI-7 |
| TO-V3902H-9 | TO-V3902H-7 |
| TO-V3902P-9 | TO-V3902P-7 |
| TO-V3902PI-9 | TO-V3902PI-7 |

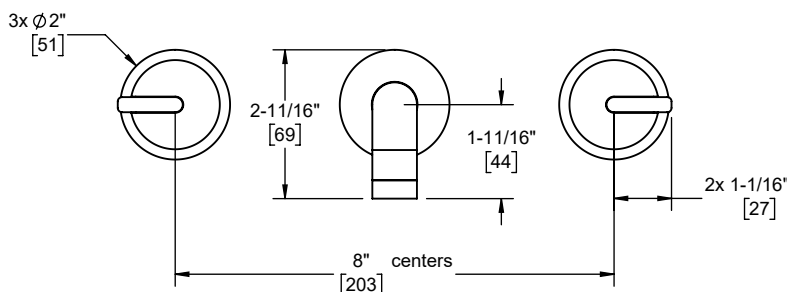
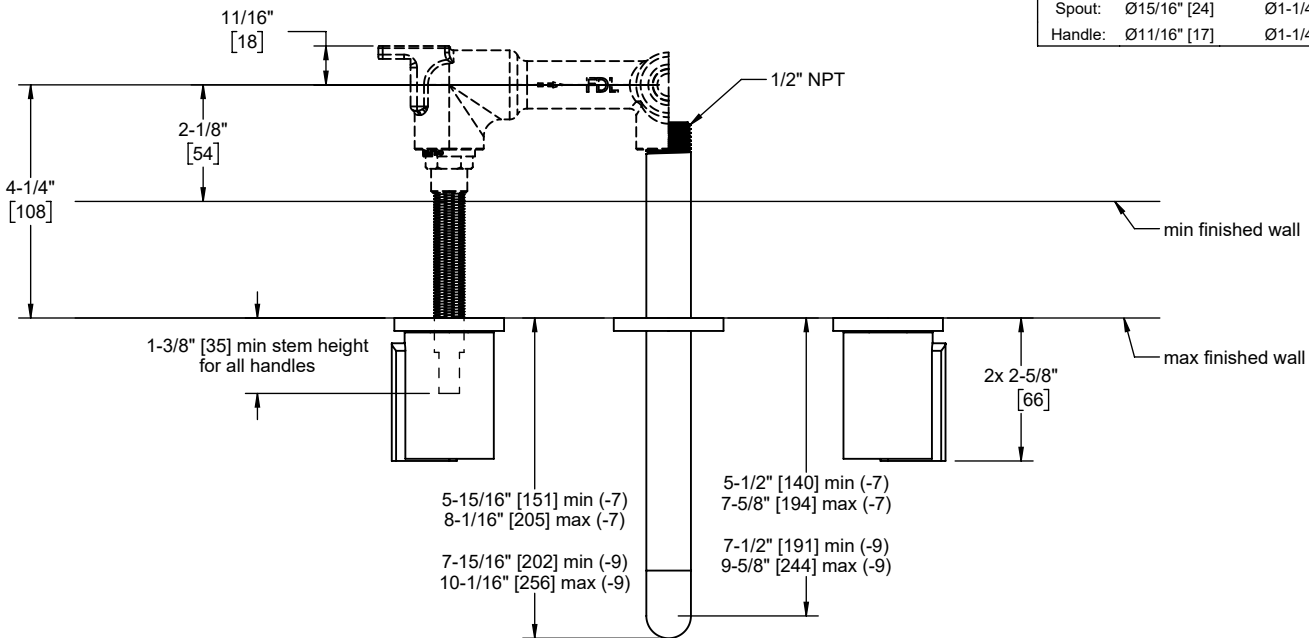
Codes/Standards Applicable

Product meets or exceeds the following:

- ASME A112.18.1/CSA B125.1
- NSF 61, NSF 372, CEC & DOE
- EPA WaterSense
- Commonwealth of MA



Through-Hole Specifications			
	Min	Recommended	Max
Spout:	Ø15/16" [24]	Ø1-1/4" [32]	Ø1-5/8" [41]
Handle:	Ø11/16" [17]	Ø1-1/4" [32]	Ø1-5/8" [41]



Specifications subject to change without notice

Dimensions are inches, rounded to 1/16"
[Dimensions in brackets are mm, rounded to 1mm]