



California Faucets®

Jalama®

Widespread Lavatory Faucet

Features

- 25+ artisan finishes including 12 PVD finishes
- All brass construction
- 1/4 turn ceramic disc cartridge(s)
- Flexible braided hoses for ease of installation
- Φ 1-1/4" all brass touch style pop up drain assembly
- 1.2gpm (4.5 L/min) max flow rate

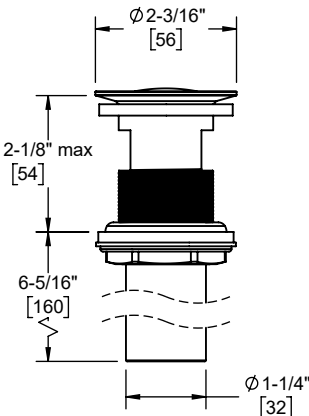
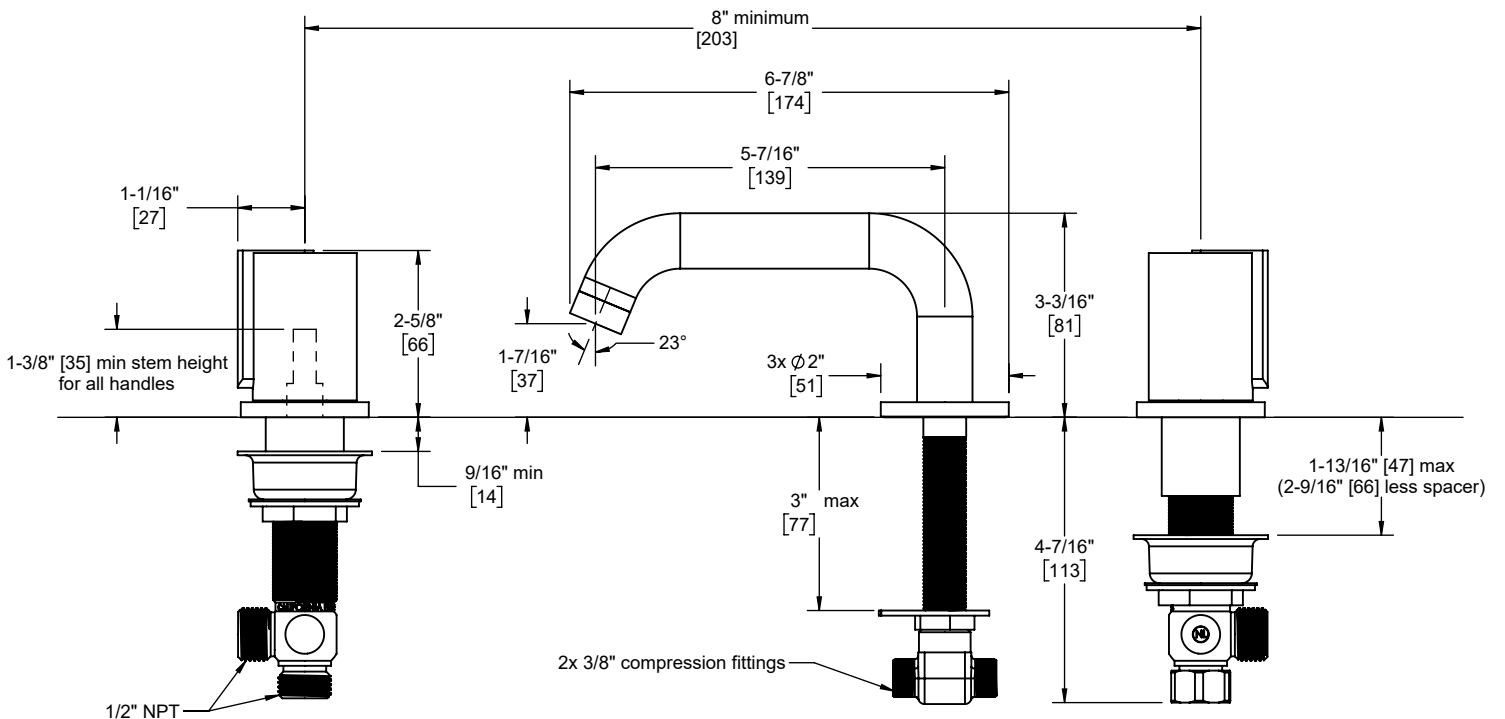
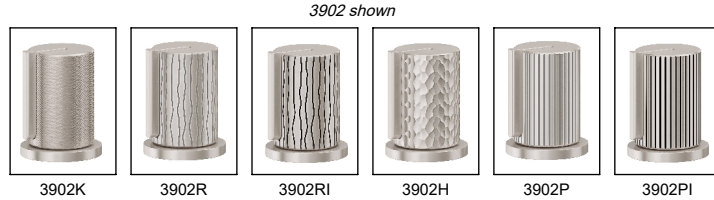
3902
 3902K
 3902R
 3902RI
 3902H
 3902P
 3902PI



Codes/Standards Applicable

Product meets or exceeds the following:

- ASME A112.18.1/CSA B125.1
- NSF 61, NSF 372, CEC & DOE
- EPA WaterSense
- Commonwealth of MA



	Through-Hole Specifications		
	Min	Recommended	Max
Spout:	Φ 11/16" [18]	Φ 1-1/8" [29]	Φ 1-1/2" [38]
Valve:	Φ 1-1/4" [32]	Φ 1-3/8" [35]	Φ 1-1/2" [38]

Dimensions are inches, rounded to 1/16"
[Dimensions in brackets are mm, rounded to 1mm]

Specifications subject to change without notice