



California Faucets®

Jalama®

Wall Handle Trim

Features

- 25+ artisan finishes including 12 PVD finishes
- All brass construction



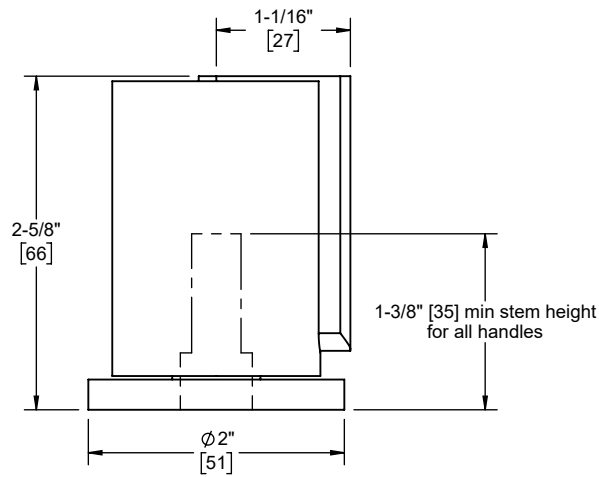
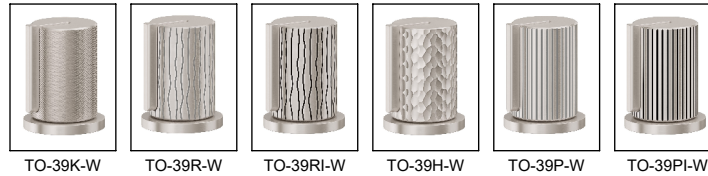
TO-39-W shown

TO-3906HL	TO-39-W
TO-3906PL	TO-39K-W
TO-3906PIL	TO-39R-W
TO-3903L	TO-39RI-W
TO-3903KL	TO-39H-W
TO-3903RL	TO-39P-W
TO-3903RIL	TO-39PI-W
TO-3903HL	TO-3906L
TO-3903PL	TO-3906KL
TO-3903PIL	TO-3906RL
	TO-3906RIL

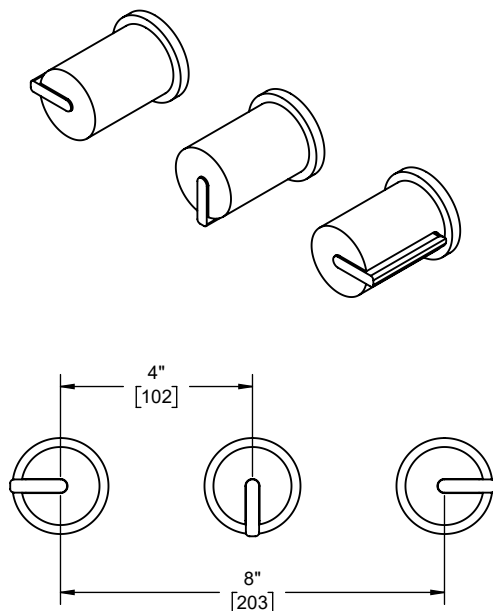
Codes/Standards Applicable

Product meets or exceeds the following:

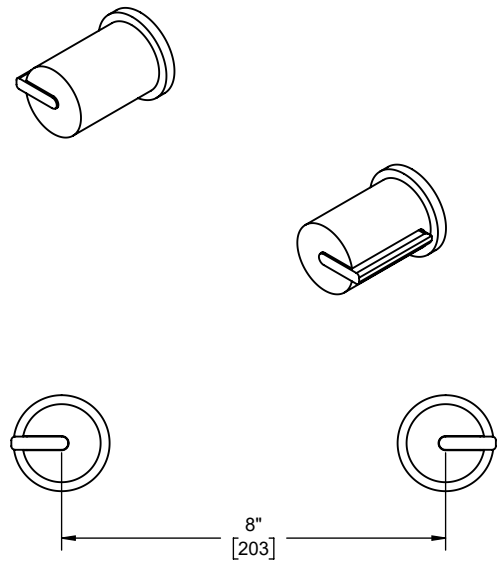
- ASME A112.18.1/CSA B125.1



TO-3903L shown



TO-3906L shown



Specifications subject to change without notice

Dimensions are inches, rounded to 1/16"
[Dimensions in brackets are mm, rounded to 1mm]