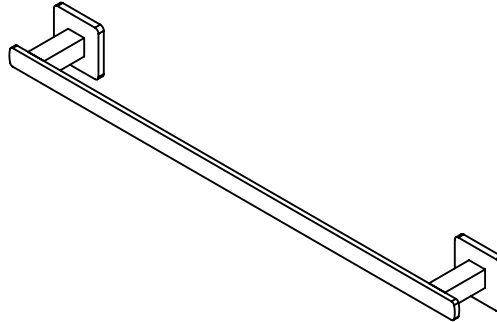




Features

- 25+ artisan finishes including 12 PVD finishes
- All brass construction
- All mounting hardware included

37-9
37-18
37-24
37-30

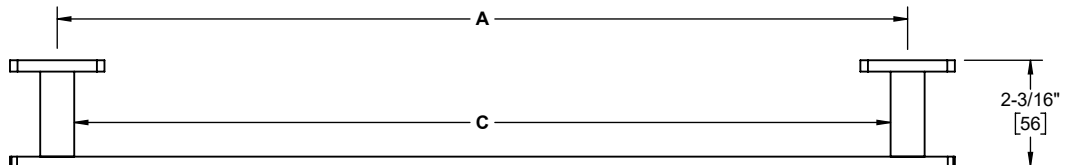
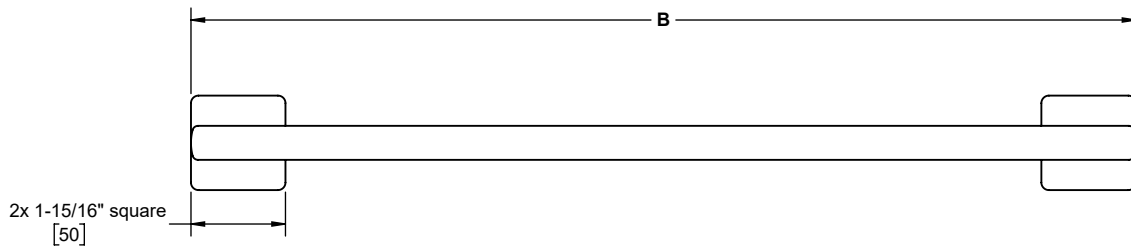


37-18 shown

Codes/Standards Applicable

Product meets or exceeds the following:

- None applicable



SKU	A	B	C
37-9-ZZ	6-3/4" [171]	8-11/16" [221]	6" [153]
37-18-ZZ	17-11/16" [450]	19-11/16" [500]	17" [432]
37-24-ZZ	23-5/8" [600]	25-9/16" [650]	22-15/16" [582]
37-30-ZZ	30" [762]	31-15/16" [812]	29-5/16" [744]

Specifications subject to change without notice

(4x) 8 X 1-1/2" phillips head screw

(4x) 3/8"-1/2" drywall anchor

Dimensions are inches, rounded to 1/16"
[Dimensions in brackets are mm, rounded to 1mm]