



California Faucets®

Jamala®

Roman Tub Set

Features

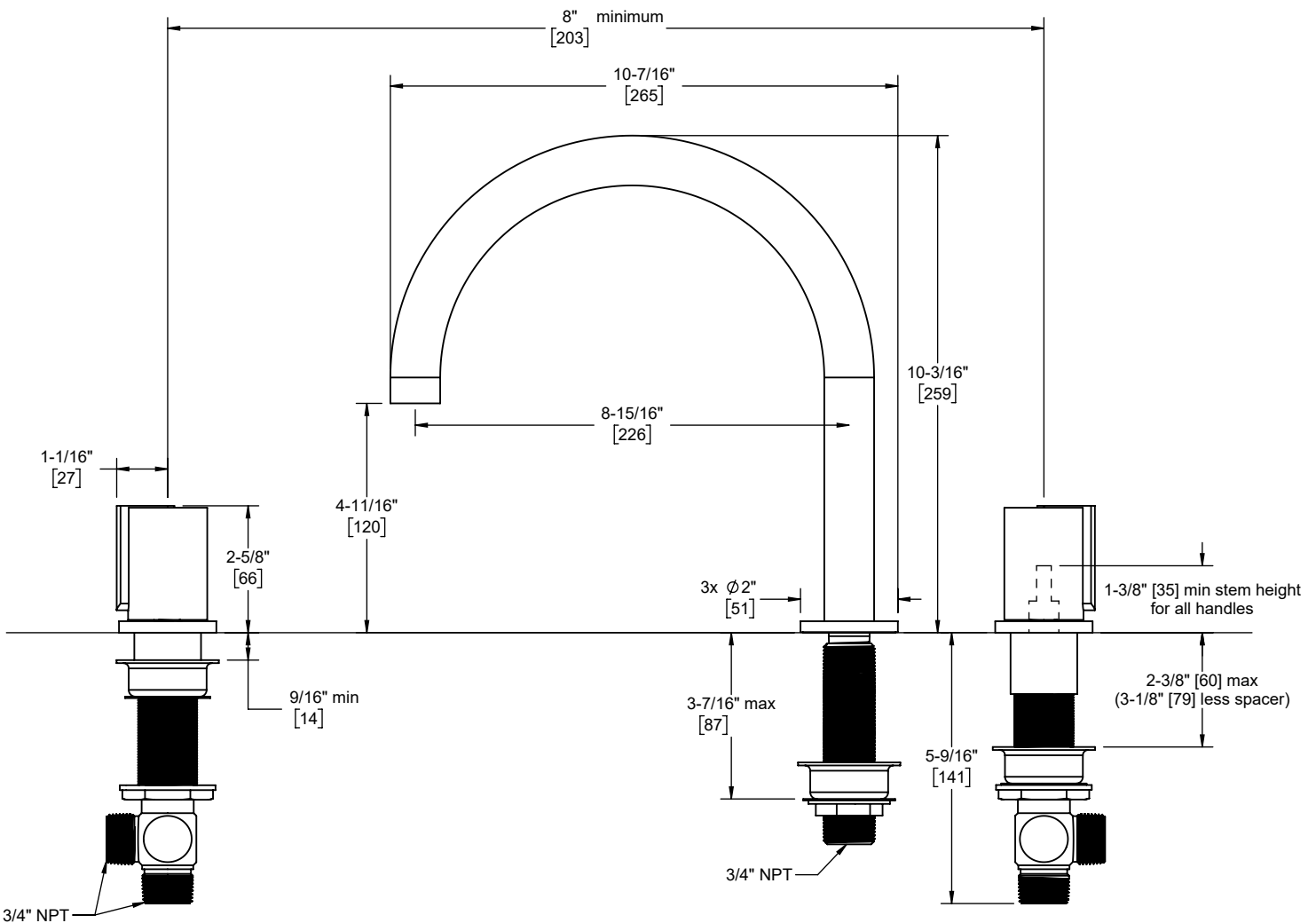
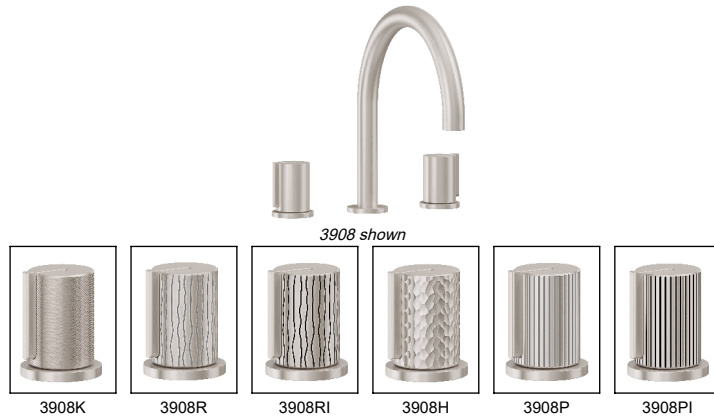
- 25+ artisan finishes including 12 PVD finishes
- All brass construction
- 16gpm (60.6 L/min) max flow rate
- Comes as complete set with trim and valves

Codes/Standards Applicable

Product meets or exceeds the following:

- ASME A112.18.1/CSA B125.1
- Installation of upstream tempering device may be required (verify local codes)

3908
 3908K
 3908R
 3908RI
 3908H
 3908P
 3908PI



Through-Hole Specifications			
	Min	Recommended	Max
Spout:	Ø1-1/16" [27]	Ø1-3/8" [35]	Ø1-1/2" [38]
Valve:	Ø1-3/8" [35]	Ø1-1/2" [38]	Ø1-1/2" [38]

Specifications subject to change without notice

Dimensions are inches, rounded to 1/16" [Dimensions in brackets are mm, rounded to 1mm]