



Features

- 25+ artisan finishes including 12 PVD finishes
- All brass construction
- No additional wall or trap stabilizer kit required
- 10 gpm (37 L/min) tub filler max flow rate at 60 psi
- 2.0 gpm (7.6 L/min) or 1.8 gpm (6.8 L/min) handshower max flow rate
- Ceramic mixing cartridge
- Handshower holder may be adjusted forward during installation
- Rough valve (9511) sold separately

1111-XX.20
1111-XX.18

Codes/Standards Applicable

Product meets or exceeds the following:

- ASME A112.18.1/CSA B125.1
- CEC (1.8 gpm) / DOE (1.8 & 2.0 gpm)
- Commonwealth of MA
- EPA WaterSense handshower (2.0 gpm)
- ADA compliant (lever handles only)
- Local codes may require installation of an upstream tempering valve



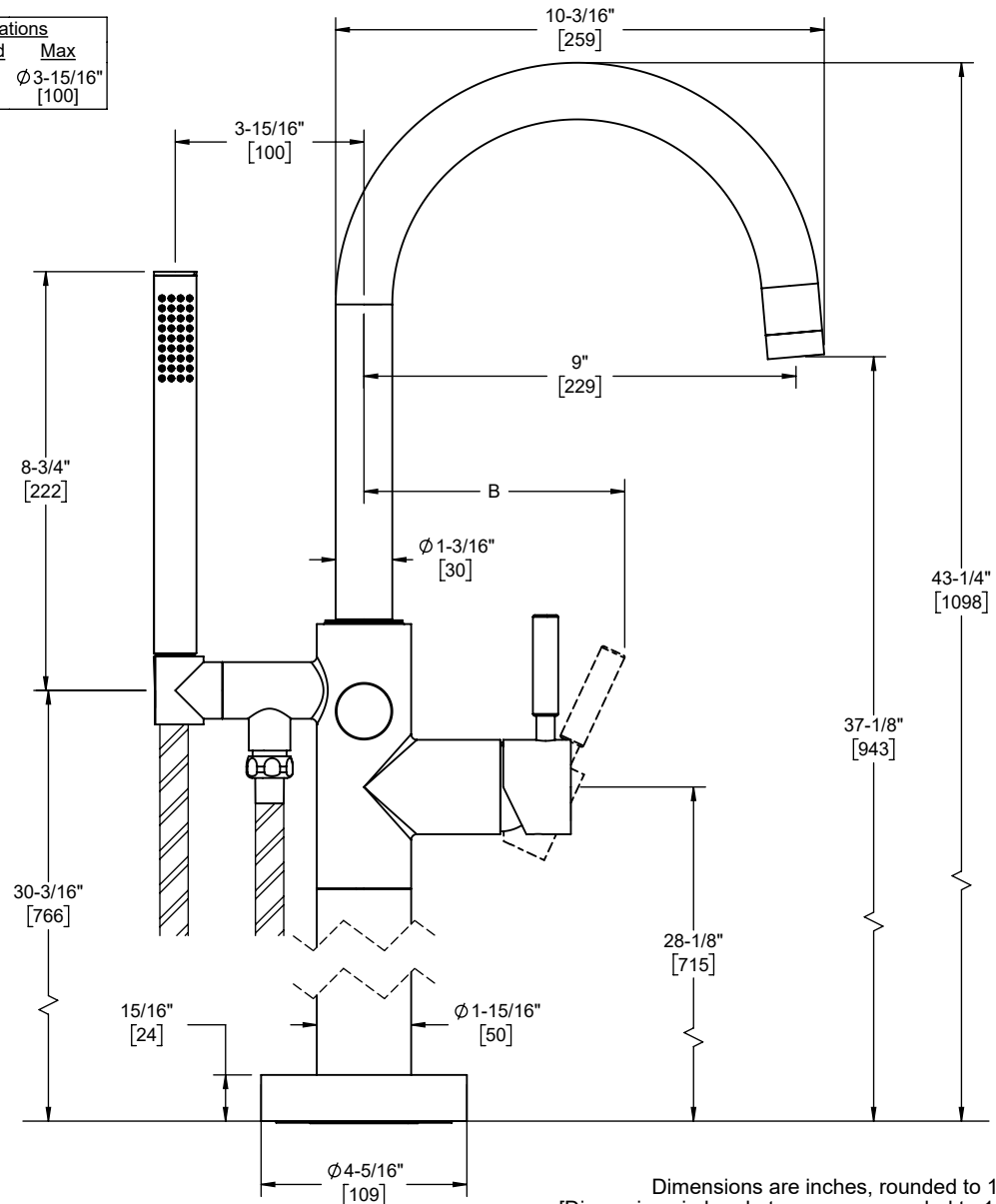
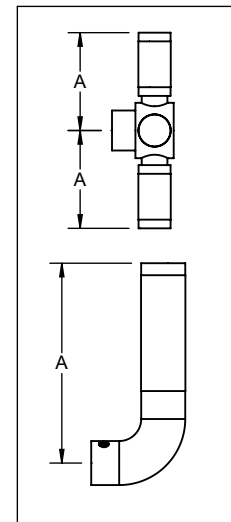
1111-62.FR shown

XX denotes handle series



Handle Series	A	B
37 37T	2-7/16" [63]	6-7/16" [163]
39, 39K, 39R, 39RI, 39H, 39P, & 39PI	7/8" [21]	5-11/16" [144]
45	3" [76]	6-1/4" [159]
52	3-11/16" [94]	5-7/16" [138]
53	4-1/8" [106]	5-13/16" [148]
62	3-9/16" [91]	5-5/16" [135]
65	1-3/8" [36]	5-13/16" [147]
66	2-5/8" [66]	6-3/8" [162]
70	2-3/4" [70]	6" [152]
74	3" [76]	6-11/16" [170]
77	2-3/4" [70]	5-3/4" [147]
E3	3-15/16" [101]	5-11/16" [144]
E4	2-3/4" [70]	6-5/16" [160]
E5	3-15/16" [100]	5-5/16" [134]

Through-Hole Specifications		
Min	Recommended	Max
Ø 3-11/16" [94]	Ø 3-11/16" [94]	Ø 3-15/16" [100]



Dimensions are inches, rounded to 1/16"
[Dimensions in brackets are mm, rounded to 1mm]

Specifications subject to change without notice