

# KXX-200-XX, KXX-200-XX-RP & KXX-201-XX Wall Mount Pot Filler Installation Instructions

**CALIFORNIA FAUCETS RECOMMENDS THAT ALL PLUMBING PRODUCTS BE INSTALLED BY A LICENSED PROFESSIONAL**

**IMPORTANT: Read all instructions prior to installation and provide copy of instructions to consumer.**

**Operating Specifications:**

Recommended Supply Pressure: 20 to 70 psi †

Maximum Flow Rate: 4 gpm

† If water pressure exceeds 70 psi, install a Pressure-Reducing Valve (RPV).

## I PREPARING WALL FOR FAUCET

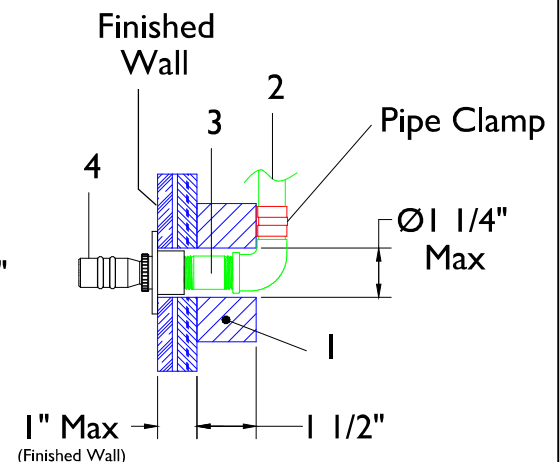
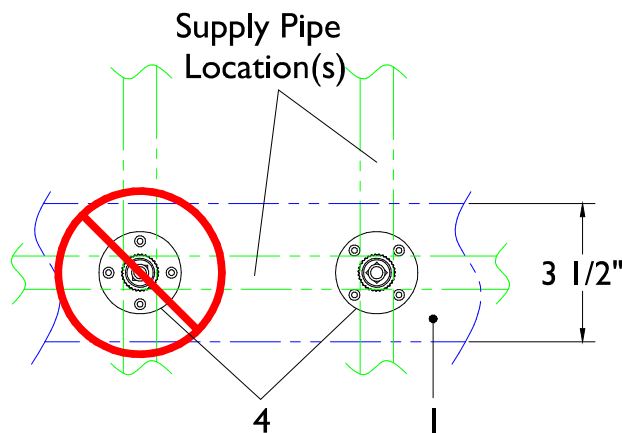
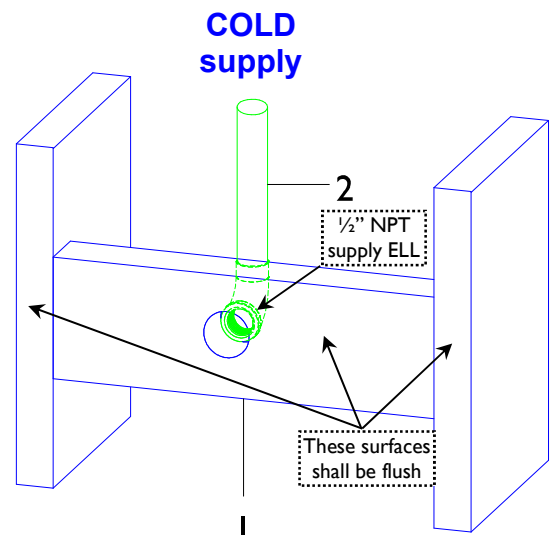
**IMPORTANT:** It is the **RESPONSIBILITY** of the **INSTALLER** to provide a proper cross **SUPPORT (1)** and securely install supply **PIPE (2)** to provide adequate support for the Pot Filler Faucet.

**Note:** This Pot Filler Faucet is approved for installation over a stove top **NOT** kitchen or prep-sink.

- Securely mount a 2x4 cross **SUPPORT (1)** with front surface flush between studs in wall to provide proper support for pot filler faucet and **PIPE (2)**
- Cold water** supply **PIPE (2)** shall be installed securely to 2x4 cross **SUPPORT (1)** as follows:
  - from top or bottom in vertical plain
  - OR-
  - from left or right in horizontal plain

**WARNING:** It is important to have ALL supply **PIPE (2)** located in either a vertical or horizontal plain to prevent possible puncture of supply **PIPE (2)** by mounting **SCREWS (9)**. This should not occur providing that a 2x4 (1-1/2" x 3-1/2") cross **SUPPORT (1)** and the supplied **SCREWS (9)** are used. However, it is the **RESPONSIBILITY** of the **INSTALLER** to ensure that all precautions are taken to prevent accidental puncturing of supply **PIPE (2)** from occurring during installation

- When installing the quick **CONNECT (4)** in Section 2 the location of supply **PIPE (2)** is very important to prevent accidental puncture (e.g. leaks) in supply **PIPE (2)**



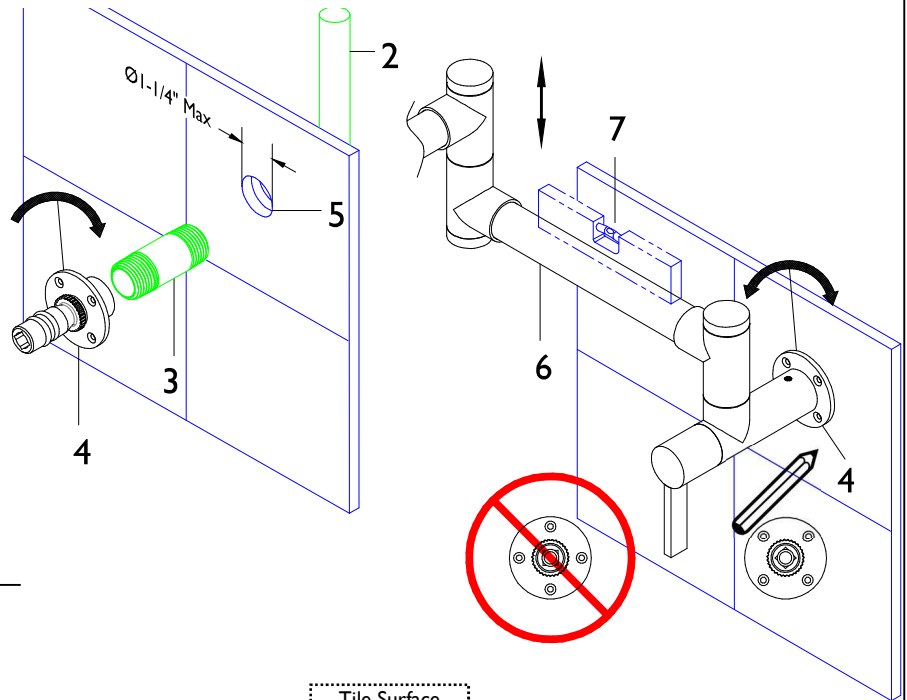
## 2 LEVELING POT FILLER FAUCET

**Note:** Following is to be done when finished wall is completed.

- Hand tighten appropriated length 1/2" NPT NIPPLE (3) and into quick CONNECT (4); insert NIPPLE (3) & quick CONNECT (4) through finished wall OPENING (5) hand tighten only

**IMPORTANT:** Screw holes on quick CONNECT (4) must be in "X" not "+" pattern

- Place FAUCET (6) onto quick CONNECT (4)
- Using LEVEL (7) on horizontal tube of FAUCET (6); move FAUCET (6) up or down until level (quick CONNECT (4) will rotate with faucet)
- Using a pencil to mark positions for screw holes
- Remove FAUCET (6) and quick CONNECT (4)



## 3 INSTALLING QUICK CONNECT

**Note:** Based on finished wall surface (e.g. tile or drywall) there are different options for attaching the quick CONNECT (4) to the wall.

### Tile Surface (thickness 1" max)

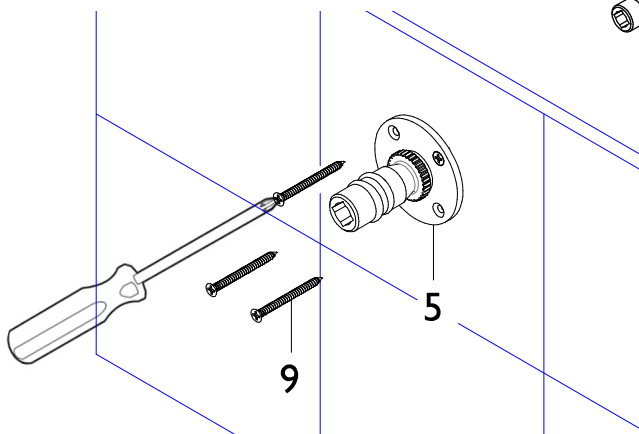
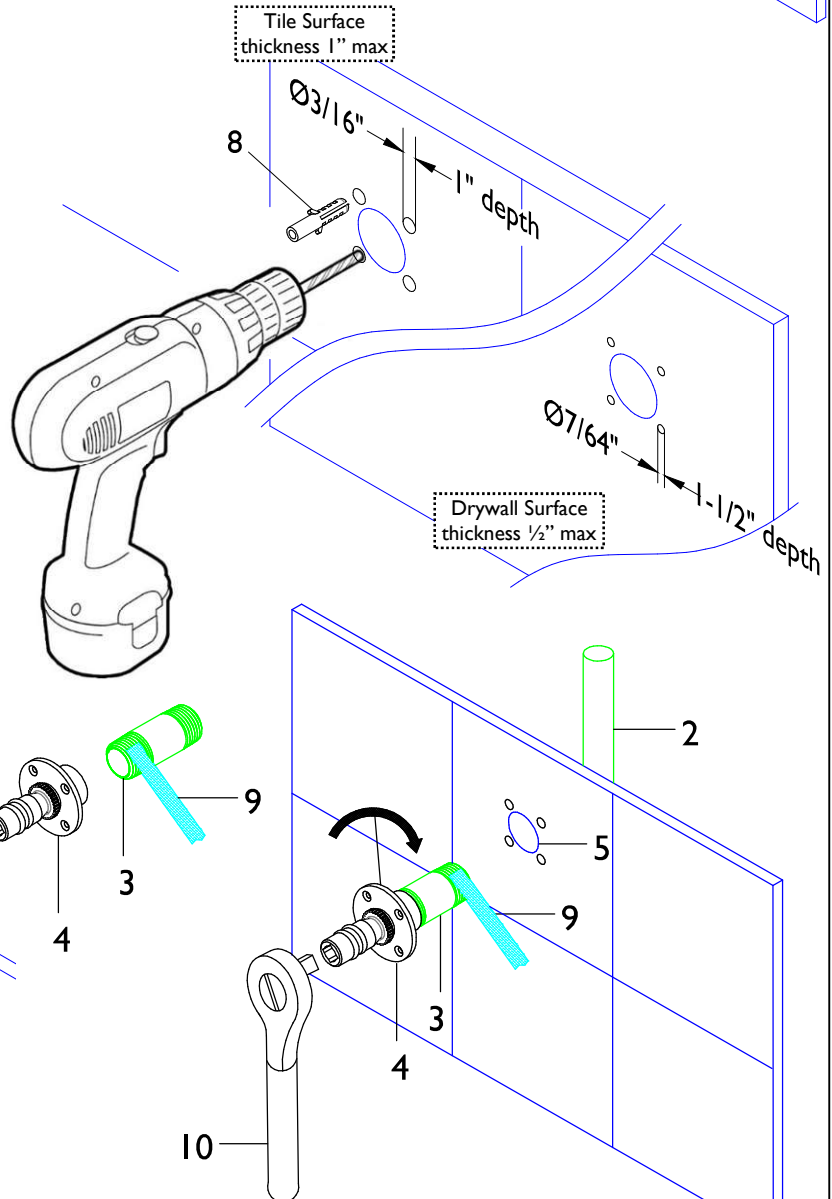
- Using 3/16" drill bit, drill to depth of 1" and install ANCHOR (8)

### Drywall Surface (thickness 1/2" max)

- Using 7/64" drill bit, drill to a depth of 1 1/2" into drywall and wood cross SUPPORT (1)

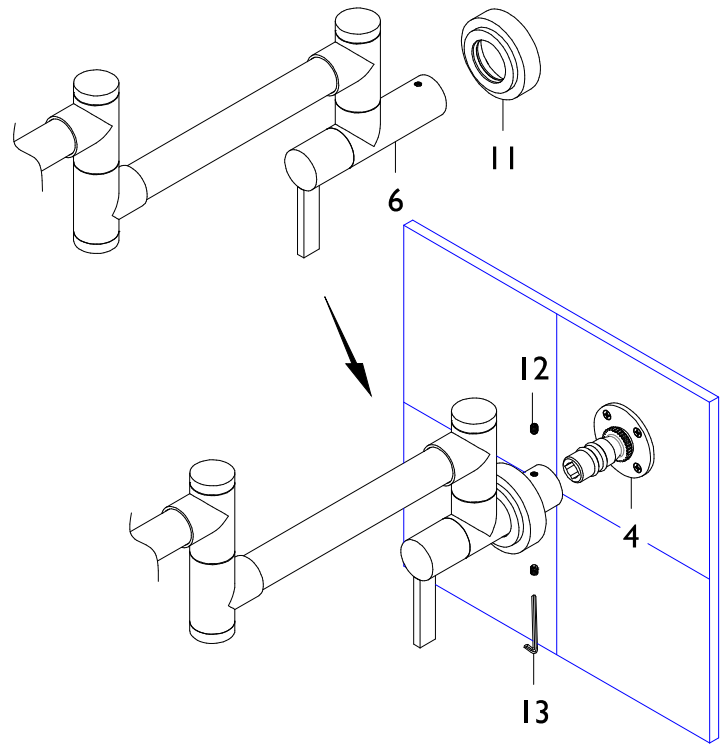
**WARNING:** When using drill, it is the **RESPONSIBILITY** of the **INSTALLER** to ensure that all precautions are taken to prevent accidental puncturing of supply PIPE (2) from occurring during installation

- Apply 3 wraps of Teflon TAPE (9) 1/2" NPT NIPPLE (3) and thread into quick CONNECT (4)
- Apply 3 wraps of Teflon TAPE (9) to other end of 1/2" NIPPLE (3) and insert through finished wall OPENING (5)
- Insert 3/8" drive WRENCH (10) into end of quick CONNECT (4) and securely tighten into supply PIPE (2)
- Secure quick CONNECT (4) in place with all four SCREWS (9) provided



## 4 ATTACHING FAUCET TO WALL

- Slide base COVER (11) onto inlet of FAUCET (6)
- Place FAUCET (6) onto quick CONNECT (4)
- Secure FAUCET (6) in place by tightening top and bottom SETSCREW (12) with KEY (13)
- Slide base COVER (11) against finished wall

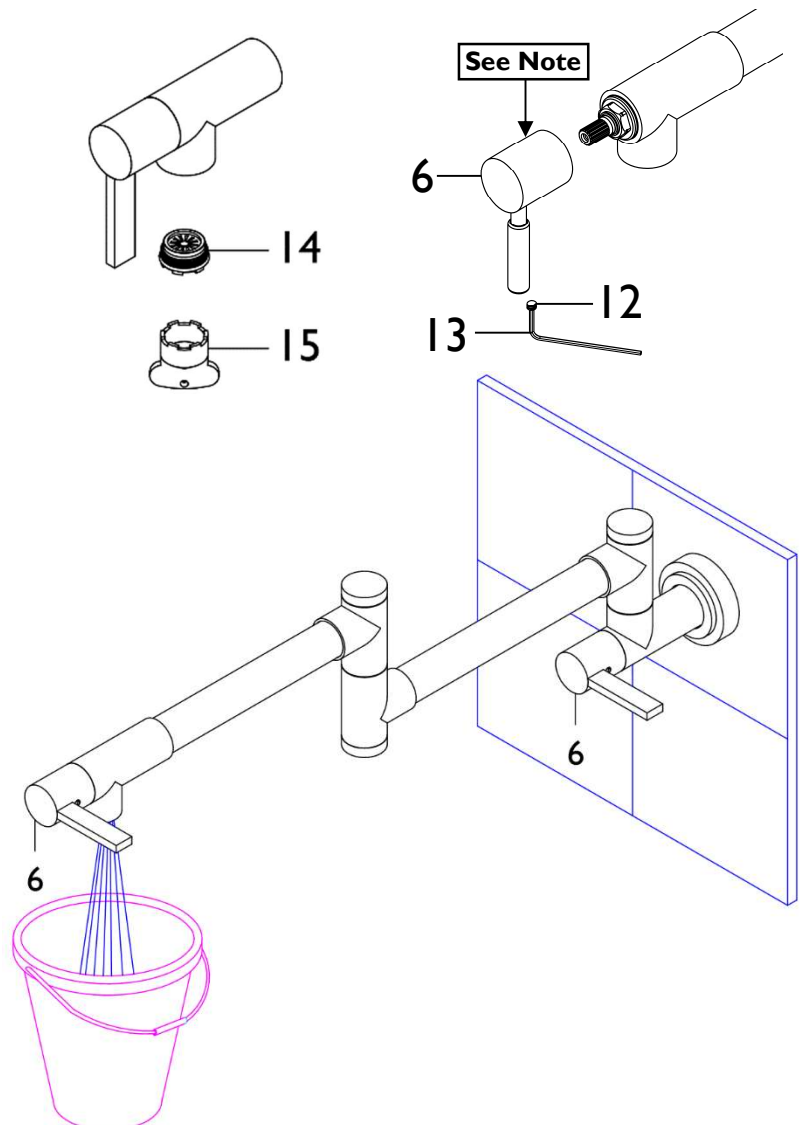


## 5 FLUSHING SYSTEM

- Remove AERATOR (14) using KEY (15)

**Note:** For reverse position pot fillers (K50-200-XX-RP & K51-200-XX-RP only) requires front HANDLE (6) installation to tighten SETSCREW (12) using KEY (13)

- Turn both faucet HANDLES (6) to full on and flush for 2 minutes; check for any leaks at all fittings
- Re-install AERATOR (14) using KEY (15)



## 6 USER INSTRUCTIONS

- To fill pot first turn on rear handle
- Position pot filler over desired pot and fill pot by turning on forward handle
- When desired level water is in pot, turn off forward handle push pot filler out of way back against wall and turn off rear handle.

**IMPORTANT:** When pot filler is not in use turn off both rear and forward handles to full off to prevent additional flood

**WARNING:** The pot filler will become hot when the arm is above hot stove burner or cooking pot. **ALWAYS** push the pot filler away from burner or pot when not in use.

