



California Faucets®

Miramar™

Single Hole Lavatory/Bar/Prep Faucet - High Spout

Features

- Available in 28 finishes including 13 PVD finishes
- All brass construction
- 5-5/16" spout center to center
- Single handle operation cartridge with ceramic disc
- Flexible braided hoses for ease of installation
- 1.2gpm (4.5 L/min) max flow rate

4809-2
4809X-2



4809-2-SN shown

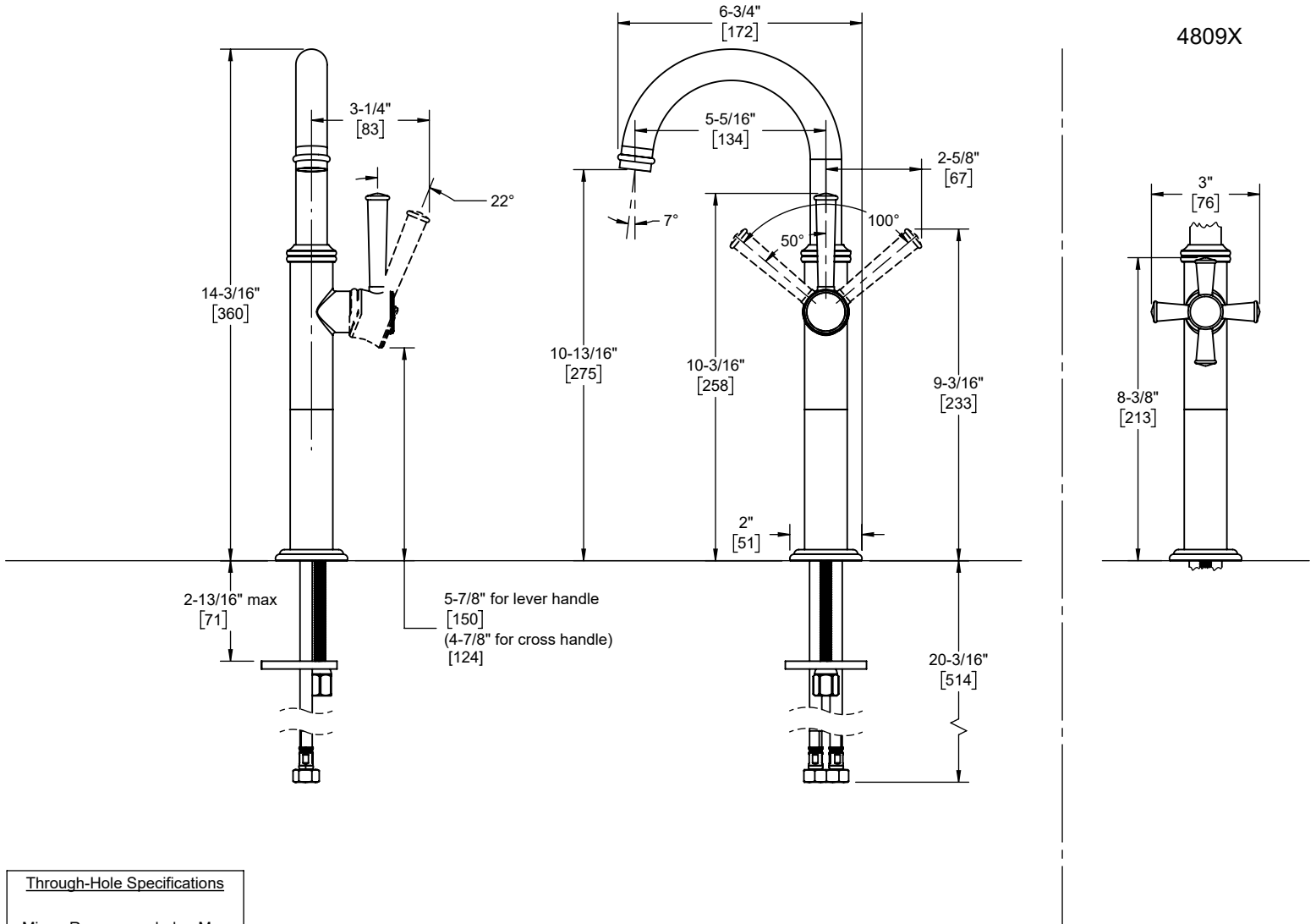


4809X-2-SN shown

Codes/Standards Applicable

Product meets or exceeds the following:

- ASME A112.18.1/CSA B125.1
- NSF 61, NSF 372, CEC & DOE
- EPA WaterSense
- Commonwealth of MA
- ADA compliant (lever handle)



Through-Hole Specifications

| Min | Recommended | Max |
|---------|-------------|----------|
| Ø1-1/4" | Ø1-3/8" | Ø1-9/16" |
| [32] | [35] | [40] |

Specifications subject to change without notice

Dimensions are inches, rounded to 1/16"
[Dimensions in brackets are mm, rounded to 1mm]