



California Faucets®

# Descanso Works®

## Widespread Lavatory Faucet

### Features

- Available in 28 finishes including 13 PVD finishes
- All brass construction
- 1/4 turn ceramic disc cartridge(s)
- Flexible braided hoses for ease of installation
- $\varnothing$  1-1/4" all brass touch style pop up drain assembly
- 1.2gpm (4.5 L/min) max flow rate

### Codes/Standards

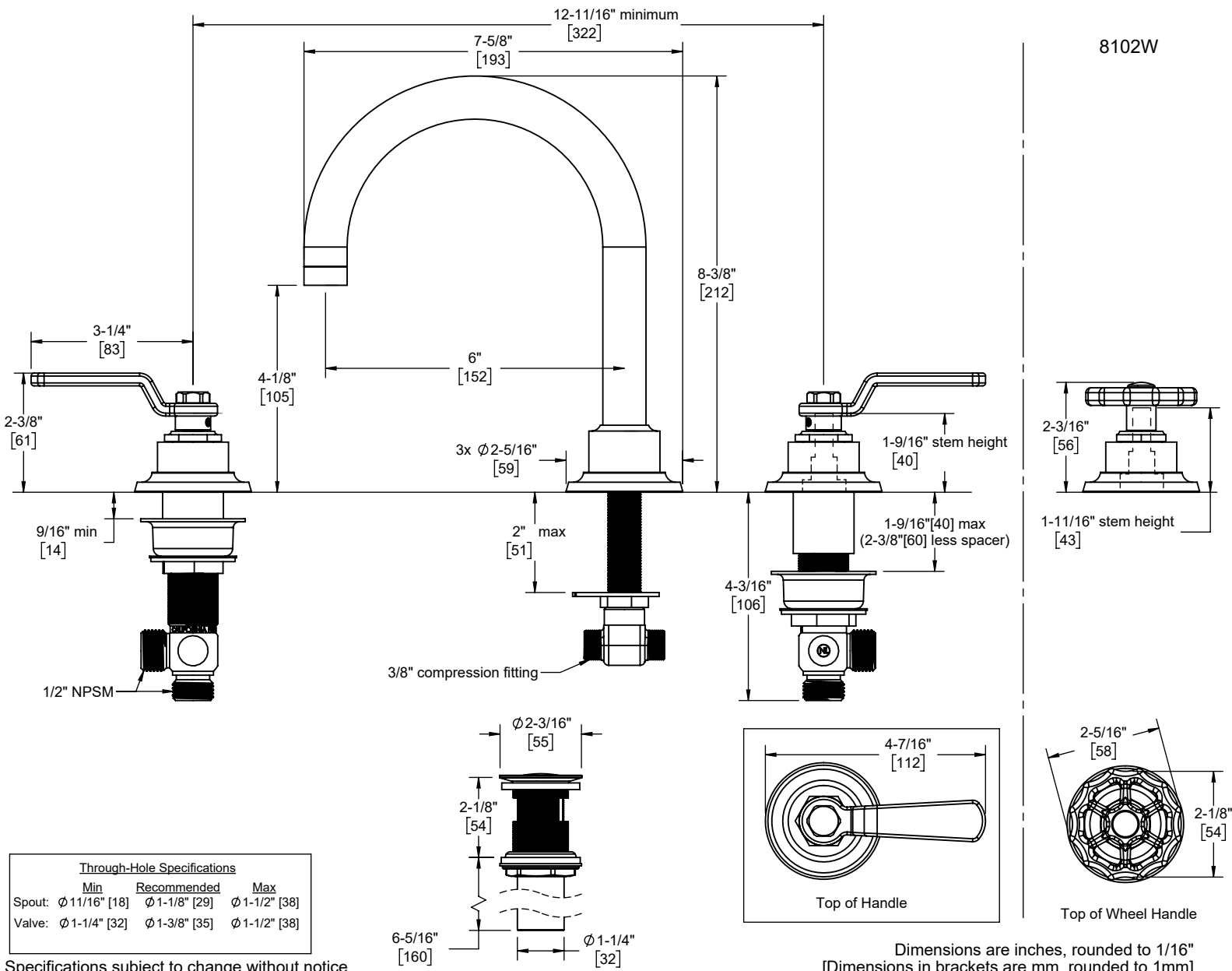
Product meets or exceeds the following:

- ASME A112.18.1/CSA B125.1
- NSF 61, NSF 372, CEC & DOE
- EPA WaterSense
- Commonwealth of MA
- ADA compliant with lever handles

**8102**  
**8102W**  
**8102WR**  
**8102WB**



8102 shown



8102W

#### Through-Hole Specifications

	Min	Recommended	Max
Spout: $\varnothing$ 11/16" [18]	$\varnothing$ 1-1/8" [29]	$\varnothing$ 1-1/2" [38]	
Valve: $\varnothing$ 1-1/4" [32]	$\varnothing$ 1-3/8" [35]	$\varnothing$ 1-1/2" [38]	

Specifications subject to change without notice

Dimensions are inches, rounded to 1/16"  
[Dimensions in brackets are mm, rounded to 1mm]