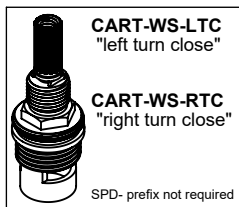
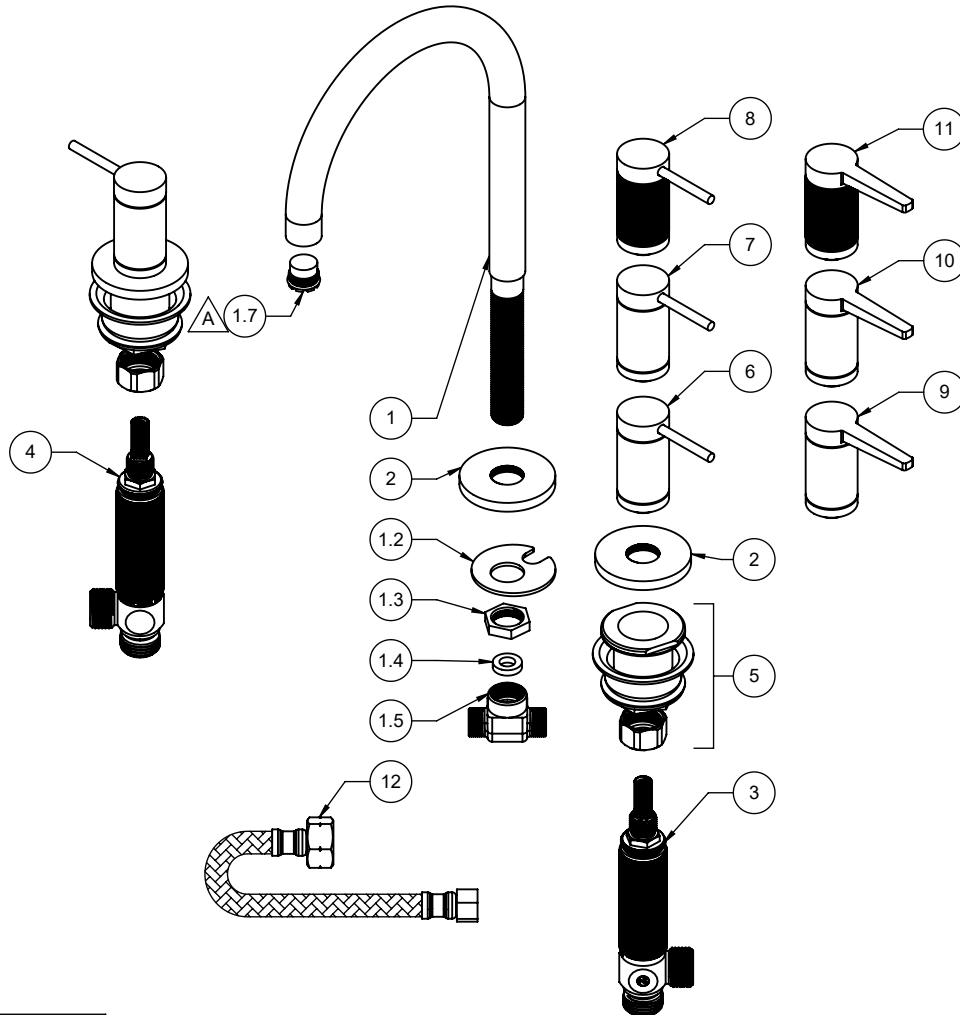


5202
5202F
5202K
5302
5302F
5302K

△ REQUIRES ITEM 15



To order spare parts add and/or replace as stated below:

SPD- prefix added to part number(s)
-ZZ replaced with finish code (see finish table)
-WW replaced with **-90** (light finish) or **-96** (dark finish)

Ex: **SPD-7-100463-PC** or **SPD-86030-96**

ITEM	PART NO.	DESCRIPTION	QTY
1	7-100373-ZZ	ASM, LAV ARC TUBE SPOUT, CACHE STYLE <i>(incl. 1.2, 1.3, 1.4, 1.5, 1.7)</i>	1
1.2	881766-99	WSHR HORSESHOE	1
1.3	881276-99	NUT, HEX 3/8"-18 NPSM X .20 HT	1
1.4	87162-80	WSHR Ø8.5 X Ø15.5 X 3.5MM EPDM A70 (NSF-61-12 & WRAS)	1
1.5	880083-90	TEE, 3-WAY LAV - SS	1
1.7	880356-81	INSERT, 1.2 GPM, TT LAMINAR (CACHE)	1
2	11089-ZZ	ESCUTCHEON, RD Ø2" W/ M18 X 1.0	3
3	6-200087	ASM, COLD-LAV "NL" BODY & CART (.25 Pb)-G4 <i>(incl. CART-WS-LTC)</i>	1
4	6-200088	ASM, HOT-LAV "NL" BODY & CART (.25 Pb)-G4 <i>(incl. CART-WS-RTC)</i>	1
5	6-200294	KIT, W/S INV NUT - 2 SETS (1 SET= 6-200294-1)	1
for 52 Series	6	7-100371-ZZ ASM, STICK LEV HDL W/SMOOTH CYL	2
for 52F Series	7	7-100372-ZZ ASM, STICK LEV HDL W/CARBON FIBER CYL	2
for 52K Series	8	7-100422-ZZ ASM, STICK LEV HDL W/KNURLED CYL	2
for 53 Series	9	7-100478-ZZ ASM, TANG LEV HDL W/SMOOTH CYL	2
for 53F Series	10	7-100479-ZZ ASM, TANG LEV HDL W/CARBON FIBER CYL	2
for 53K Series	11	7-100480-ZZ ASM, TANG LEV HDL W/KNURLED CYL	2
	12	880099-99 HOSE, POLY BRAIDED, 1/2 IPS X 3/8 CMP X 12 (DN6-SILICONE) (NL, NSF-61-12 & WRAS)	2
	15	223472-99 KEY, TT CACHE AERATOR INSERT	1