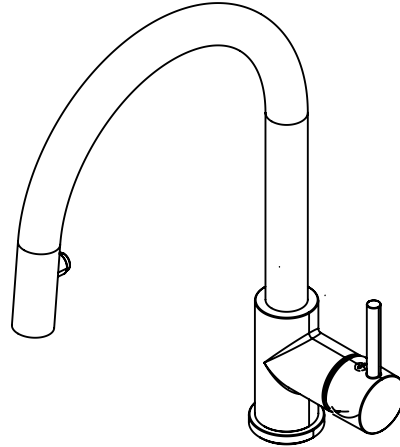




Features

- Available in -PC, -SN, & -MBLK
- All brass construction with concealed & insulated sprayhead
- 360° rotating spout
- One button control for aerated or spray stream
- Ultra-smooth hand-assist sprayhead retraction
- Ceramic disc cartridge
- Max flow rate: 1.8 gpm (6.8 L/min)

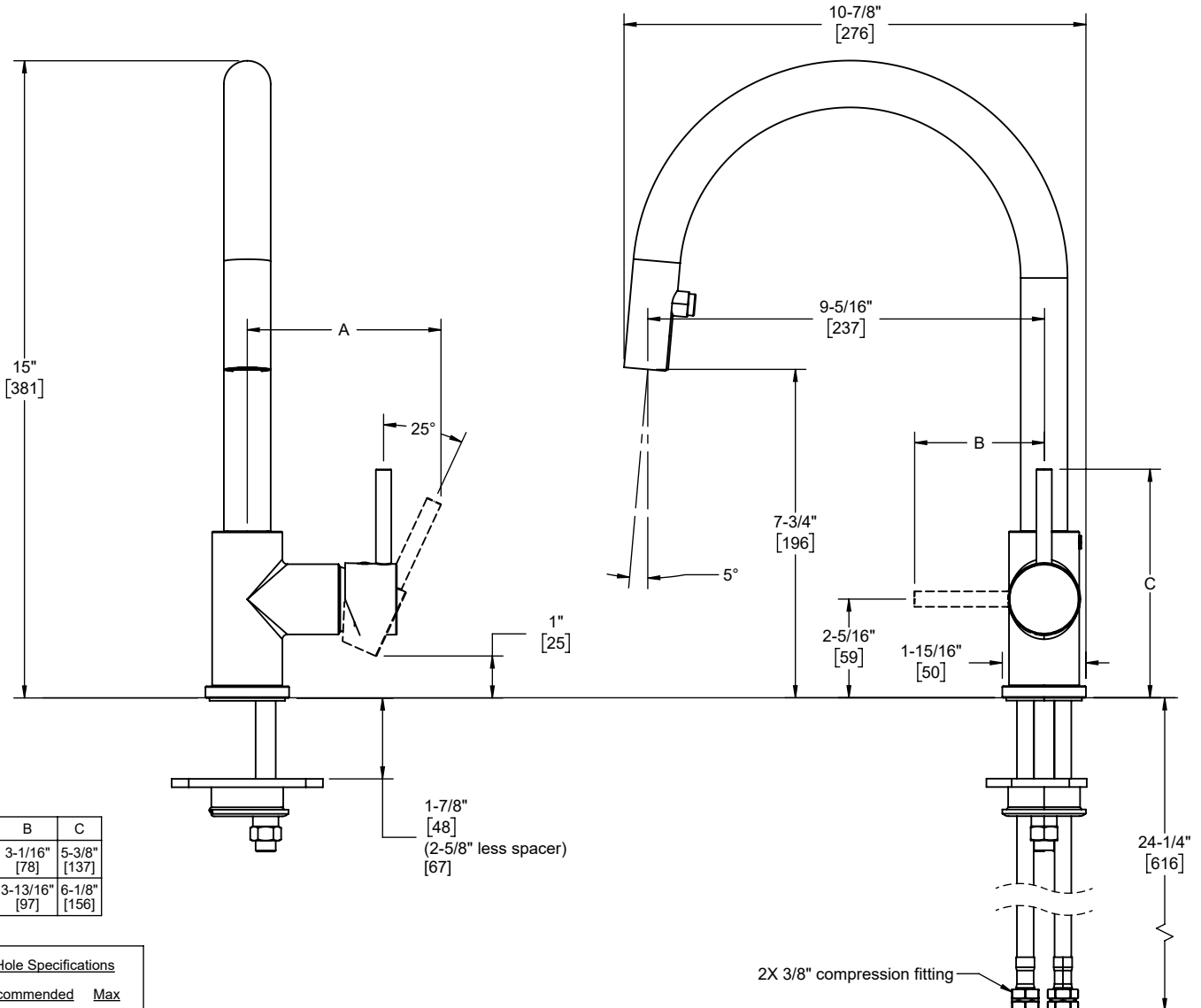
K01-102-ST-ZZ
K01-102-FB-ZZ



Codes/Standards Applicable

Product meets or exceeds the following:

- ASME A112.18.1/CSA B125.1
- NSF 61, NSF 372, CEC, & DOE
- Commonwealth of MA
- ADA compliant



-XX	A	B	C
ST	4-9/16" [116]	3-1/16" [78]	5-3/8" [137]
FB	4-3/4" [121]	3-13/16" [97]	6-1/8" [156]

Through-Hole Specifications		
Min	Recommended	Max
Ø 1-1/4" [32]	Ø 1-3/8" [35]	Ø 1-3/8" [35]

Specifications subject to change without notice

Dimensions are inches, rounded to 1/16"
[Dimensions in brackets are mm, rounded to 1mm]