



Features

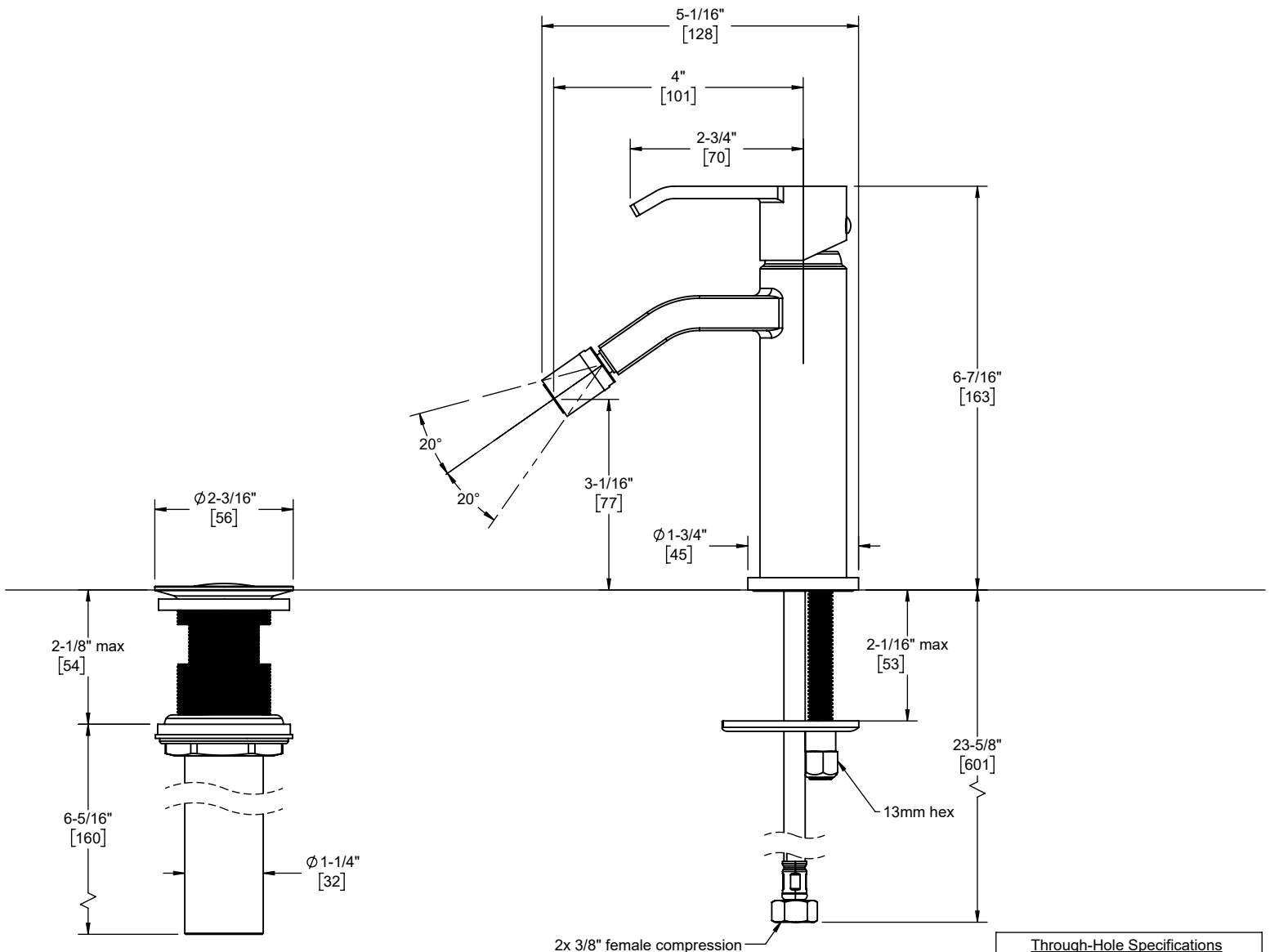
- Over 28 finishes including 13 PVD finishes
- All brass construction
- 4" spout center to center
- Ceramic mixing cartridge
- Flexible braided hoses for ease of installation
- Φ 1-1/4" all brass touch style pop up drain assembly



Codes/Standards Applicable

Product meets or exceeds the following:

- ASME A112.18.1/CSA B125.1
- ADA compliant



Through-Hole Specifications		
	Min	Recommended
Spout:	Φ 1-1/4" [32]	Φ 1-3/8" [35]
Drain:	Φ 1-1/2" [38]	Φ 1-3/4" [44]