



California Faucets®

CHRISTOPHERGRUBB Collection

# Trousdale™

## Roman Tub Handshower & Diverter Trim

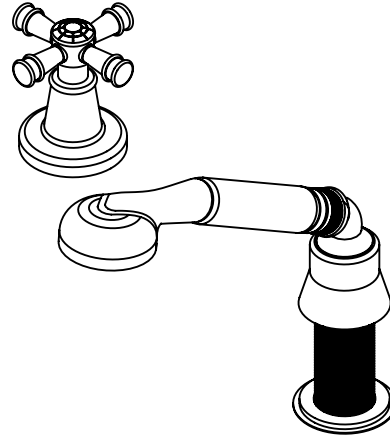
### Features

- Available in 28 finishes including 13 PVD finishes
- All brass construction
- Handshower: 1/2" MIP inlet with self-clean rubber jets
- Max flow rate: 2.0 gpm (7.6 L/min) or 1.8 gpm (6.8L/min)
- Handshower elbow: 1/2" FIP swivel nut with 1/2" MIP inlet
- Hose: 84" black poly braided hose. Provides durable & quiet operation while not damaging trim finish
- Diverter valve (DDV-R) sold separately

### Codes/Standards

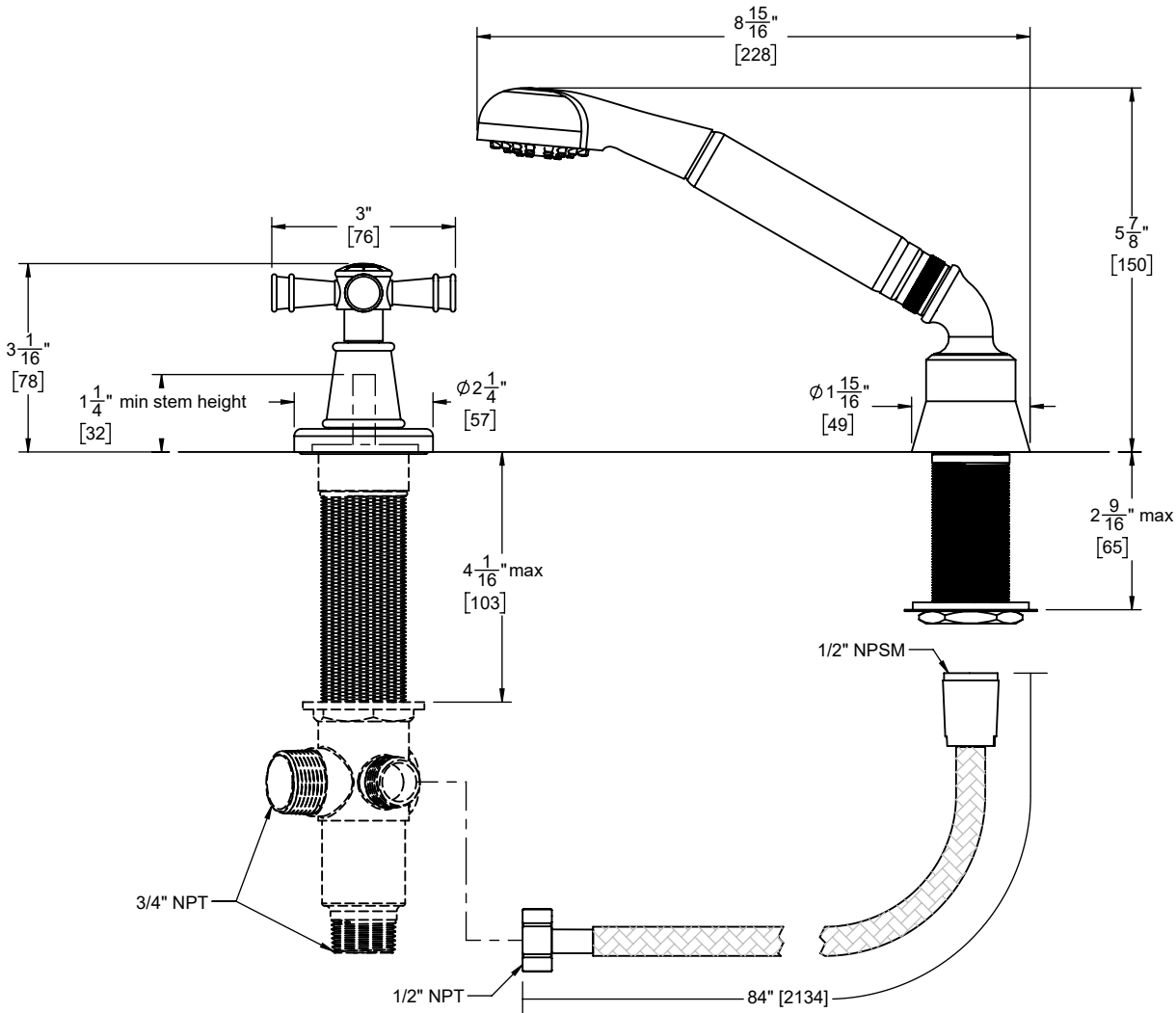
Product meets or exceeds the following:

- ASME A112.18.1/CSA B125.1
- CEC (1.8 gpm) / DOE (1.8, 2.0 gpm)
- Commonwealth of MA
- EPA WaterSense handshower (2.0 gpm)



TO-C1X.15S.FR shown

TO-C1X.15S.18  
 TO-C1X.15S.20  
 TO-C1XS.15S.18  
 TO-C1XS.15S.20



#### Through-Hole Specifications

	Min	Recommended	Max
Shower:	$\phi 1\text{-}1/4$ " [32]	$\phi 1\text{-}1/4$ " [32]	$\phi 1\text{-}13/16$ " [46]
Valve:	$\phi 1\text{-}7/16$ " [37]	$\phi 1\text{-}1/2$ " [38]	$\phi 1\text{-}3/4$ " [44]

Dimensions are inches, rounded to 1/16"  
 [Dimensions in brackets are mm, rounded to 1mm]

Specifications subject to change without notice