



California Faucets®

# KITCHEN

## INDUSTRIAL HOT ONLY WATER DISPENSER

### Features

- Over 28 finishes including 13 PVD finishes
- All brass construction
- 180° rotating spout
- Insulated body and spout to reduce heat transfer to faucet
- Self-closing handle
- Max flow rate: 1.8 gpm (6.8 L /min); varies with hot water tank
- Faucet is **not** compatible with RO filter unit
- Requires Hot Water Tank (9628SS) sold separately

### Codes/Standards Applicable

Product meets or exceeds the following:

- ASME A112.18.1/CSA B125.1
- NSF 61 and NSF 372
- CEC / DOE
- Commonwealth of MA
- ADA Compliant

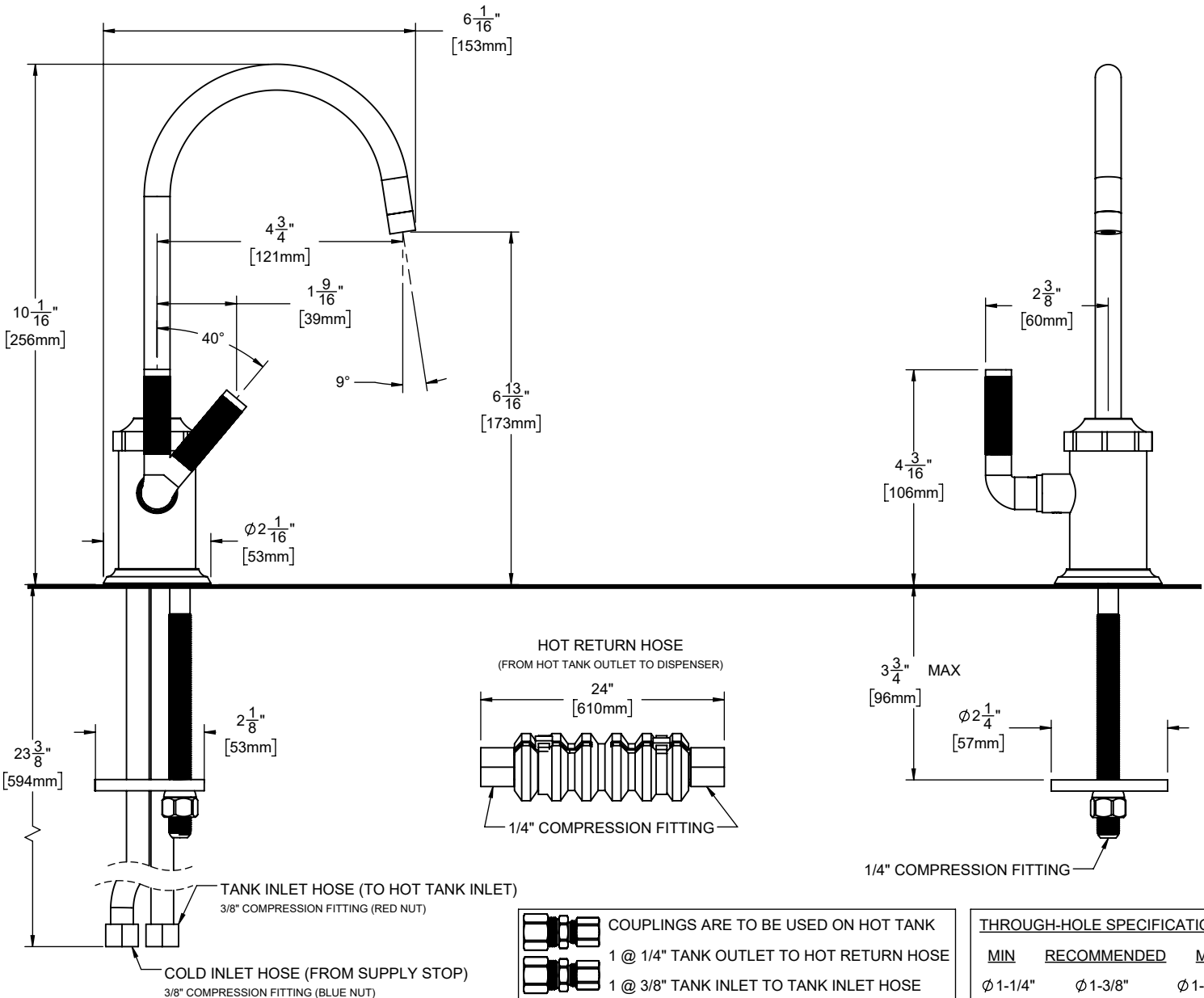


9625-K30-KL shown

9625-K30-FL  
9625-K30-KL  
9625-K30-SL



XX = DENOTES HANDLE STYLE



SPECIFICATIONS SUBJECT TO CHANGE WITHOUT NOTICE

ALL DIMENSIONS SHOWN TO NEAREST 1/16"  
[ALL DIMENSIONS SHOWN TO NEAREST 1MM]