



California Faucets®

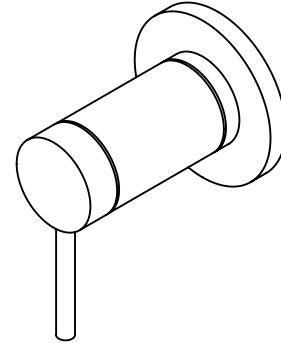
D Street™

WALL OR DECK HANDLE TRIM ONLY

Features

- Available in 28 finishes including 13 PVD finishes
- All brass construction
- Base diameter 2"
- Use for wall stop, wall diverter, or deck diverter
- Rough valve sold separately (50-W-R, 75-W-R, WDV-R, DDV-R)

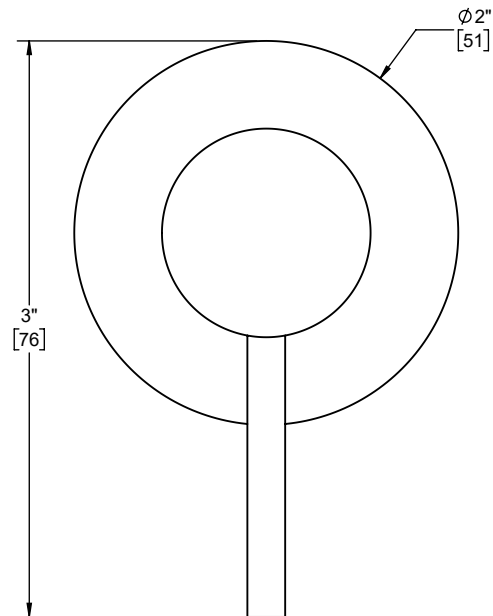
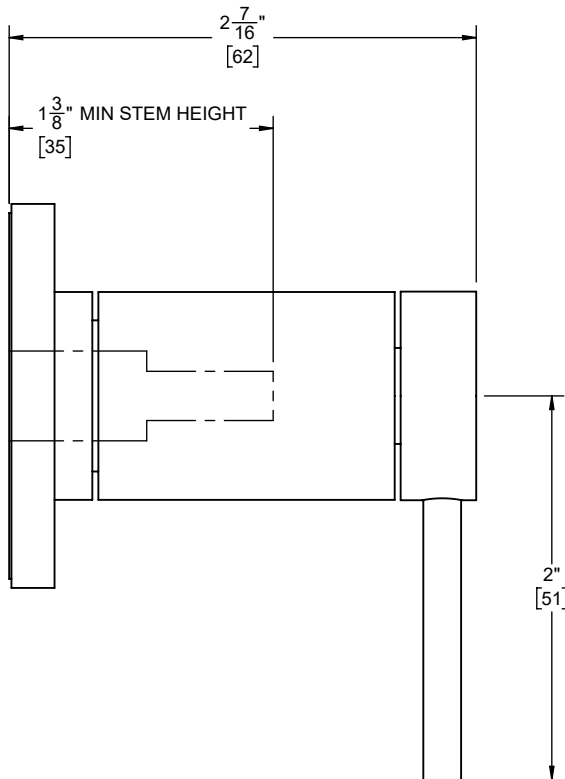
TO-52-W
TO-52F-W
TO-52K-W



Codes/Standards Applicable

Product meets or exceeds the following:

- ASME A112.18.1/CSA B125.1
- ADA compliant



THROUGH-HOLE SPECIFICATIONS

MIN	RECOMMENDED	MAX
Ø 11/16" [17]	Ø 1-1/4" [32]	Ø 1-5/8" [41]

DIMENSIONS SHOWN TO NEAREST 1/16"
[DIMENSIONS SHOWN TO NEAREST 1MM]