



California Faucets®

CHRISTOPHERGRUBB Collection

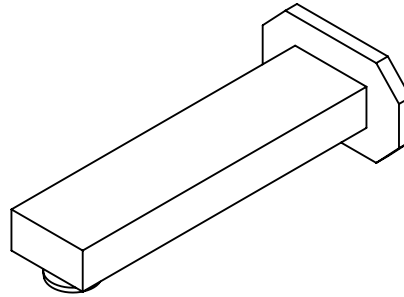
Doheny™

Wall Tub Spout

Features

- Available in 28 finishes including 13 PVD finishes
- All brass construction
- Quick connect
- Maximum flow rate: 10 gpm (37.8 L/min) at 60 psi
- For use with: StyleTherm, 3-VR, or 2-VR

**TS-C2
D-C2**

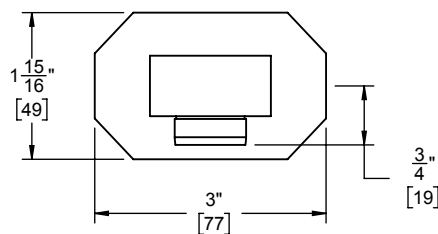
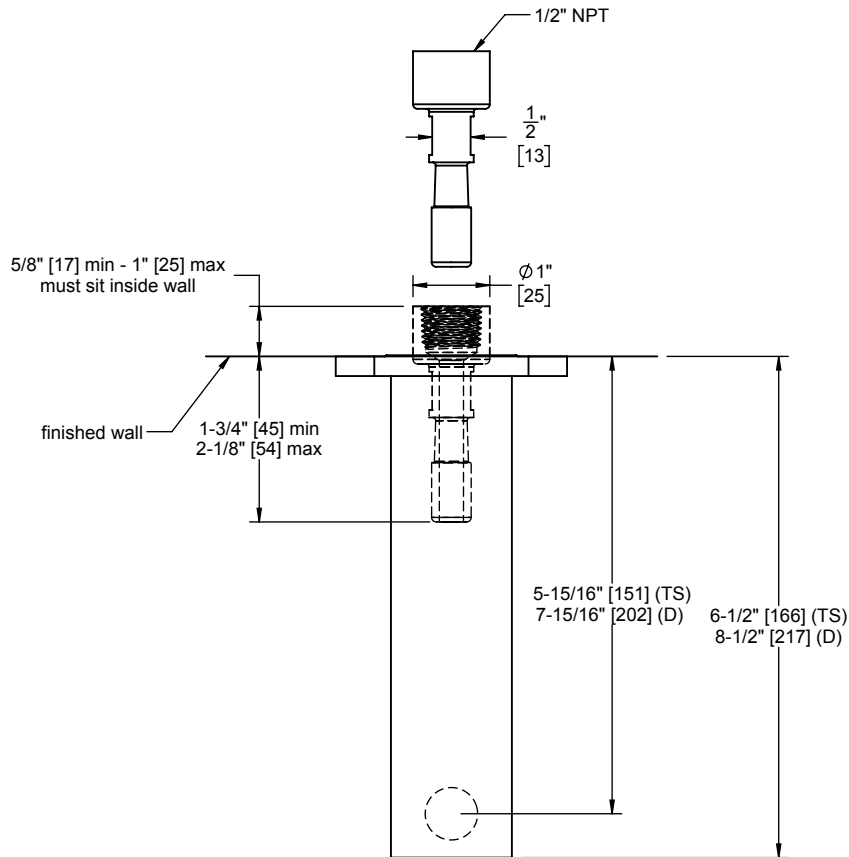


TS-C2 shown

Codes/Standards

Product meets or exceeds the following:

- ASME A112.18.1/CSA B125.1



Through-Hole Specifications			
	Min	Recommended	Max
Spout:	Ø 1" [25]	Ø 1-3/8" [35]	Ø 1-9/16" [40]

Dimensions are inches, rounded to 1/16"
[Dimensions in brackets are mm, rounded to 1mm]

Specifications subject to change without notice