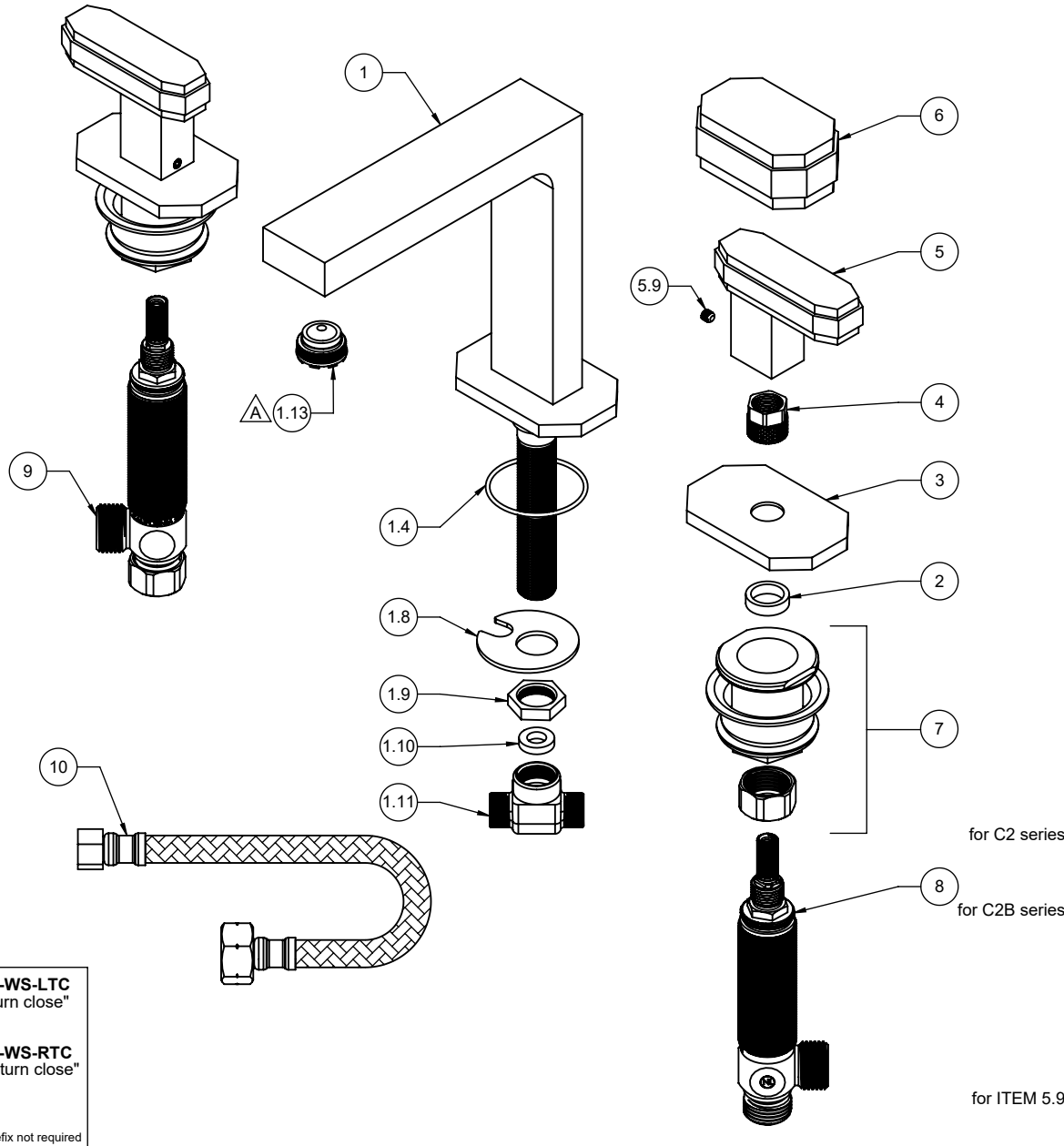


△ REQUIRES ITEM 15



To order spare parts add and/or replace as stated below:

SPD- prefix added to part number(s)
 -ZZ replaced with finish code (see finish table)
 -WW replaced with -90 (light finish) or -96 (dark finish)

Ex: SPD-7-100457-PC or SPD-86030-96

ITEM	PART NO.	DESCRIPTION	QTY.
1	7-100457-ZZ	ASM, LAV SPOUT, C2 (incl. 1.4, 1.8, 1.9, 1.10, 1.11, 1.13)	1
1.4	87175-80	O-RING Ø41.00 X 1.78 (-030) BUNA-N A70	1
1.8	881766-99	WSHR HORSESHOE	1
1.9	881276-99	NUT, HEX 3/8"-18 NPSM X .20 HT	1
1.10	87162-80	WSHR Ø8.5 X Ø15.5 X 3.5MM EPDM A70 (NSF-61-12 & WRAS)	1
1.11	880083-90	TEE, 3-WAY LAV - SS	1
1.13	880433-81	INSERT, JUNIOR, 1.2 GPM CACHE AERATED	1
2	11057-98	SPACER, Ø14.5MM X 19.0MM X 5.0MM	2
3	11027-ZZ	BASE, OCT HNDL	2
4	880371-15B	NUT, TIE-DOWN, BARREL Ni PLT - KNURLED	2
5	7-100458-ZZ	ASM, OCT HNDL LEVER HDL (incl. 5.9)	2
5.9	86033-WW	SETSCREW 10-24 X 3/16 SCKT HD CUP PT SS	1
6	7-100459-ZZ	ASM, OCT BLOCK HDL (incl. 5.9)	2
7	6-200294	KIT, W/S INV NUT - 2 SETS (1 SET = 6-200294-1)	1
8	6-200087	ASM, COLD-LAV "NL" BODY & CART (.25 Pb)-G4 (incl. CART-WS-LTC)	1
9	6-200088	ASM, HOT-LAV "NL" BODY, CART (.25 Pb)-G4 (incl. CART-WS-RTC)	1
10	880099-99	HOSE, POLY BRAIDED, 1/2 IPS X 3/8 CMP X 12 (DN6-SILICONE) (NL, NSF-61-12 & WRAS)	2
14	882043-99	KEY, ALLEN, 3/32", BLACK	1
15	880255-81	KEY, JR AERATED CACHE	1

