

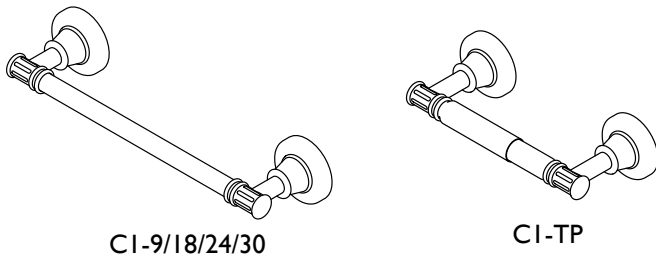
CI-9/18/24/30 CI-TP

Dual Post Accessories Installation Instructions

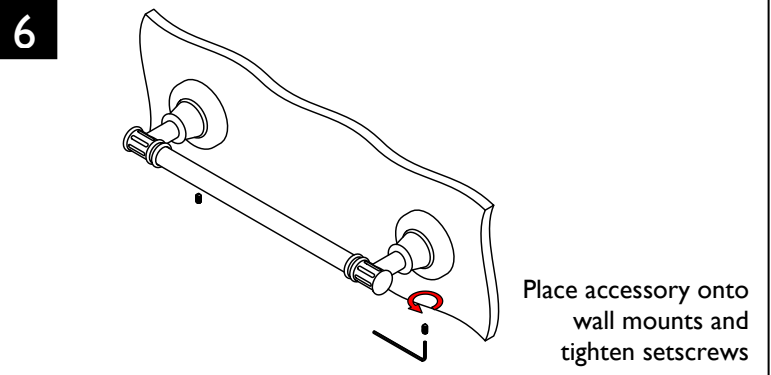
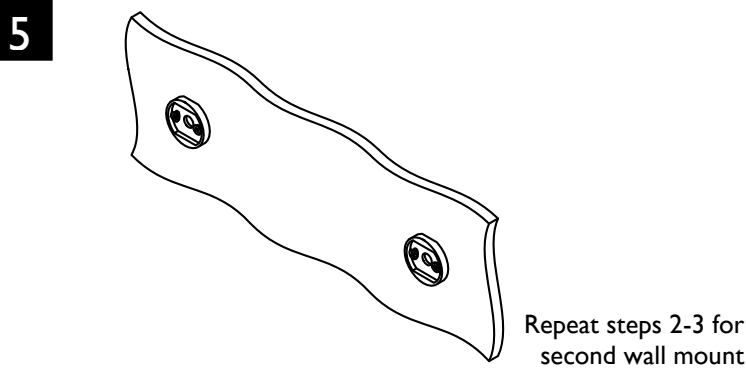
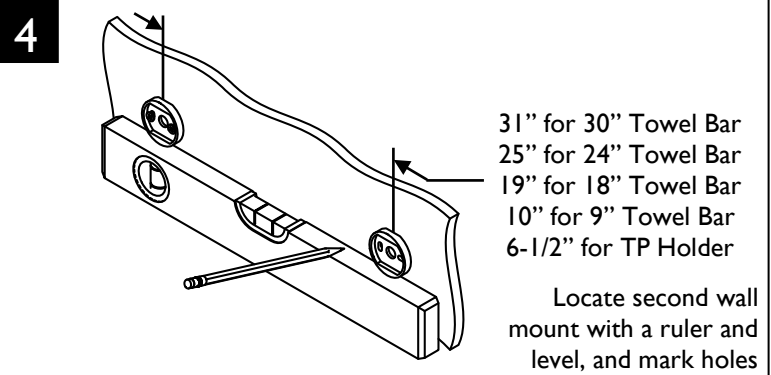
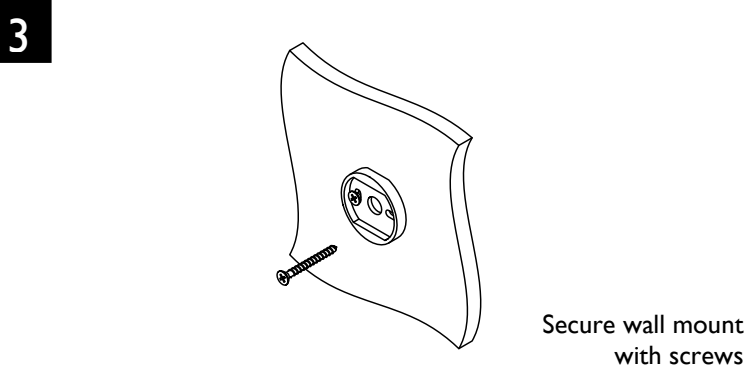
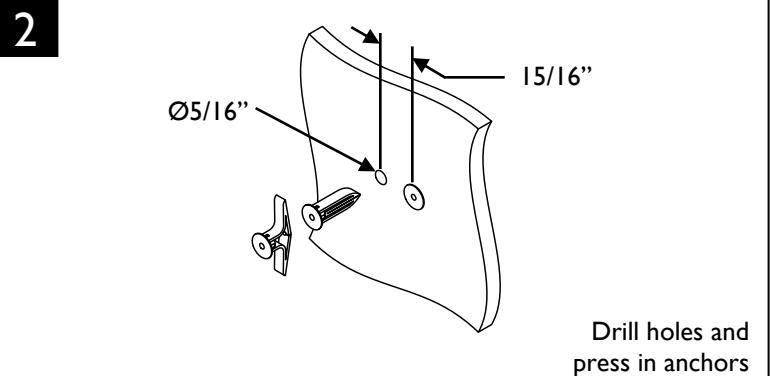
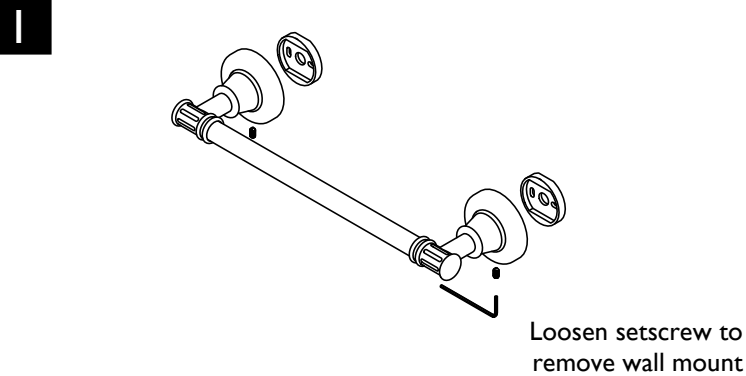
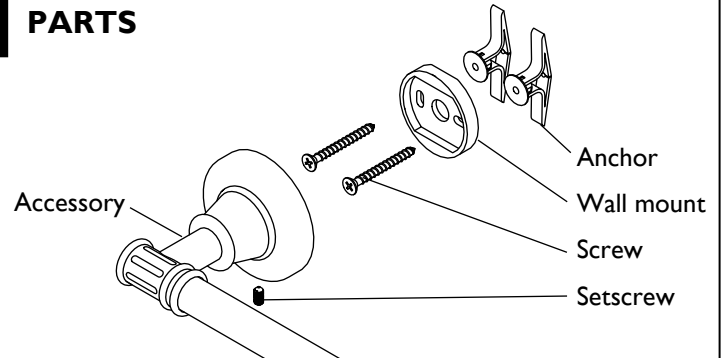
CALIFORNIA FAUCETS RECOMMENDS THAT ALL PRODUCTS BE INSTALLED BY A LICENSED PROFESSIONAL

IMPORTANT: Read all instructions prior to installation and provide copy of instructions to consumer.

A DUAL POST ACCESSORIES



B PARTS



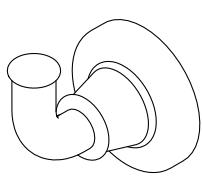
CI-RH/DRH CI-STP/TR/VTP

Single Post Accessories Installation Instructions

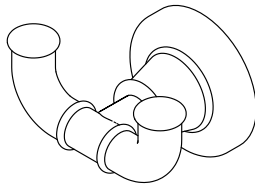
CALIFORNIA FAUCETS RECOMMENDS THAT ALL PRODUCTS BE INSTALLED BY A LICENSED PROFESSIONAL

IMPORTANT: Read all instructions prior to installation and provide copy of instructions to consumer.

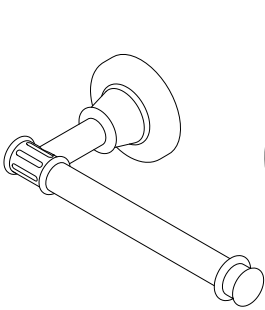
A SINGLE POST ACCESSORIES



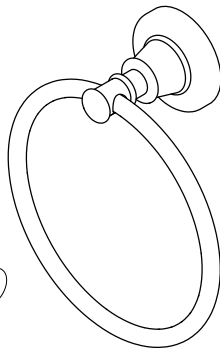
CI-RH



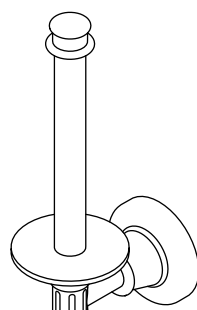
CI-DRH



CI-STP

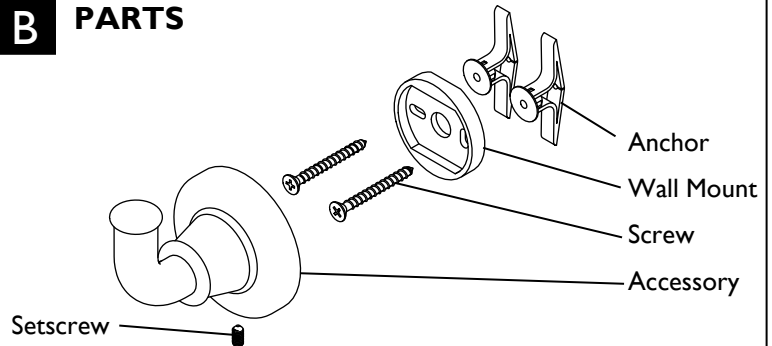


CI-TR

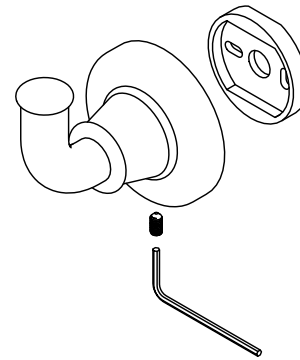


CI-VTP

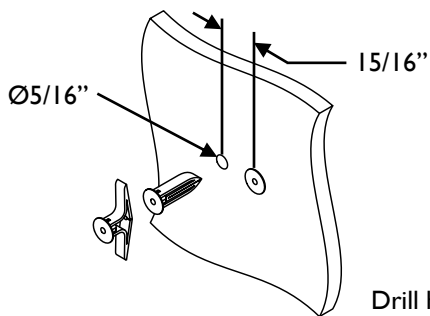
B PARTS



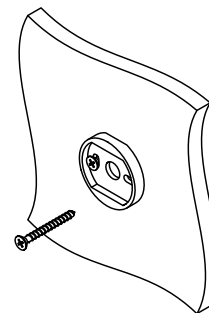
1



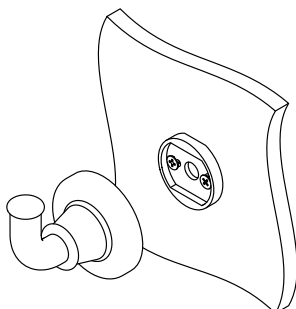
2



3



4



5

