



California Faucets®

CHRISTOPHERGRUBB Collection

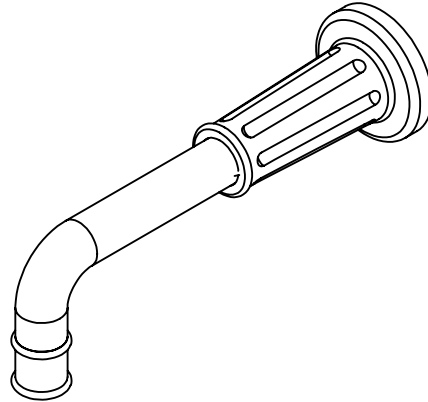
Trousdale™

Wall Tub Spout

Features

- Available in 28 finishes including 13 PVD finishes
- All brass construction
- Includes decorative base ring
- Maximum flow rate: 16 gpm (60.6 L/min) at 60 psi
- For use with: StyleTherm, 3-VR, or 2-VR

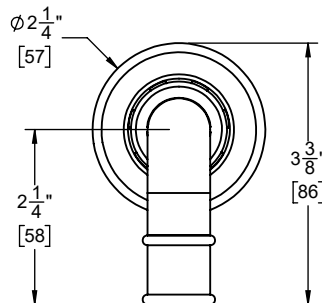
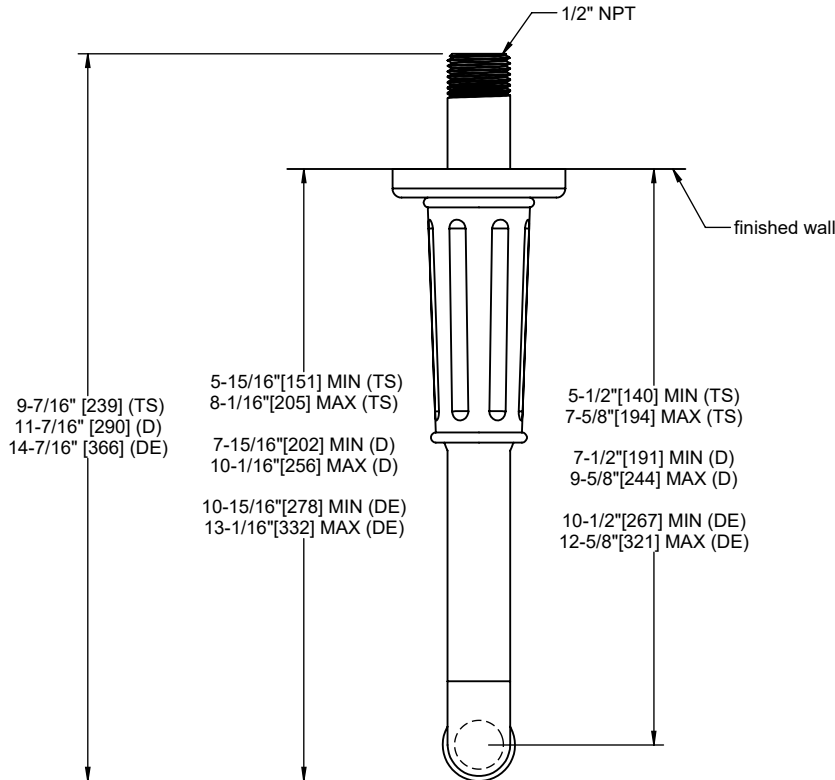
TS-C1
D-C1
DE-C1



Codes/Standards

Product meets or exceeds the following:

- ASME A112.18.1/CSA B125.1



Through-Hole Specifications		
Min	Recommended	Max
Spout: Ø 15/16" [24]	Ø 1-1/4" [32]	Ø 1-5/8" [41]

Dimensions are inches, rounded to 1/16"
[Dimensions in brackets are mm, rounded to 1mm]

Specifications subject to change without notice