



California Faucets®

9631-TUBE

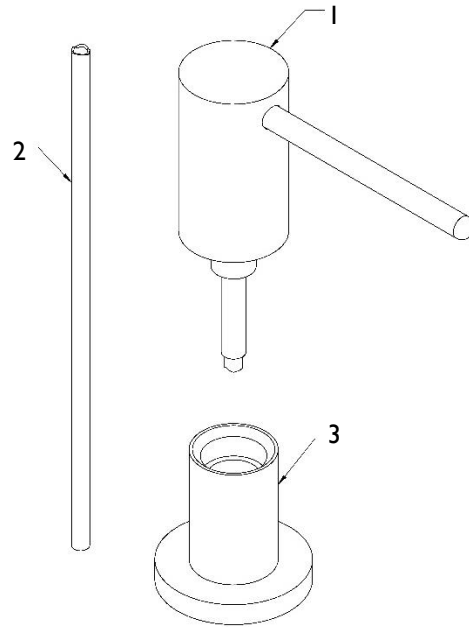
Soap/Lotion Pump, Tube Replacement Installation Instructions

CALIFORNIA FAUCETS RECOMMENDS THAT ALL PLUMBING PRODUCTS BE INSTALLED BY A LICENSED PROFESSIONAL

IMPORTANT: Read all instructions prior to installation and provide copy of instructions to consumer.

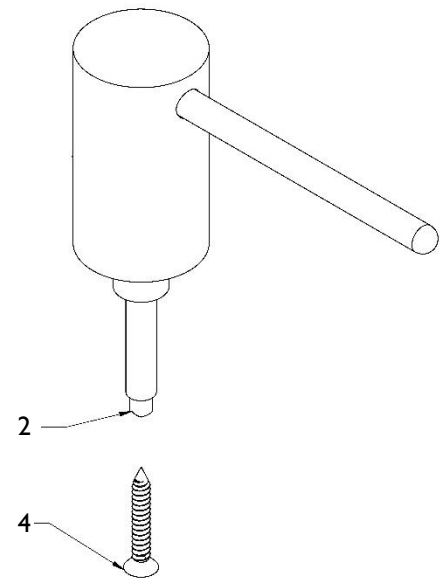
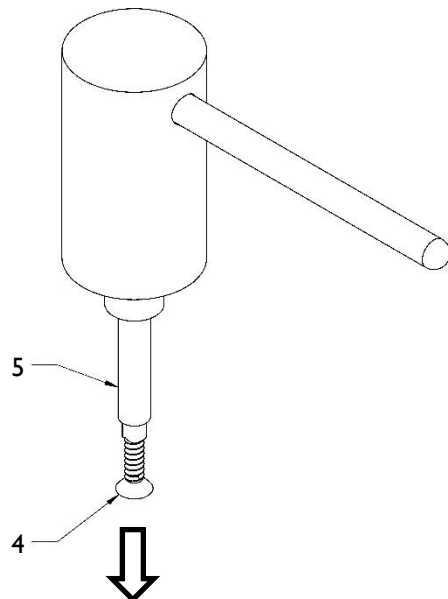
1 REMOVING HEAD & STRAW

- Remove HEAD (1) by pulling straight up
- Remove BROKEN TUBE (2) from inside BODY (3) or BOTTLE (not shown) from underside of deck



2 REMOVE BROKEN TUBE

- Use SCREW (4) and thread into BROKEN TUBE (2)
- Hold PUMP (5) and pull SCREW (4) to remove BROKEN TUBE (5)



3

FINAL CONNECTIONS

- Insert NEW TUBE (6) into PUMP (5)
- Take HEAD (1), PUMP (5), and NEW TUBE (6) assembly and place back onto BODY (3)

