



California Faucets®

StyleTherm®

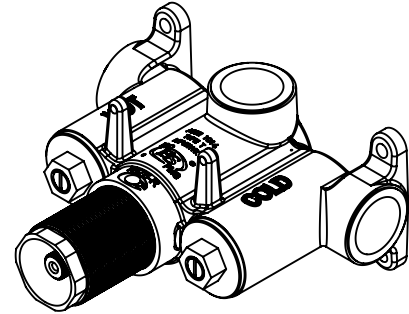
3/4" Thermostatic Rough Valve

THT75-R

Features

- Forged brass valve body construction
- Max flow rate: 11.0 gpm (41.6 L/m) @ 60 psi
- Integral service stops with check valves
- Single-handle temperature mixing
- Thermostatic anti-scald protection
- Genuine Vernet® mixing cartridge featuring
 - Polymer construction limits limescale build-up
 - Integrated filter screens
 - Paraffin wax element

NOTE: Requires separate shut-off/volume control valve(s)

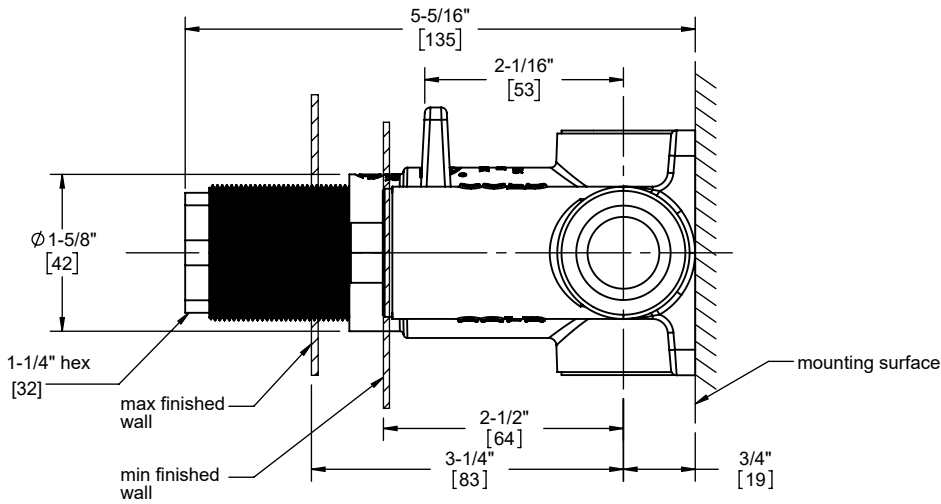


Codes/Standards Applicable

Specified model meets or exceeds the following:

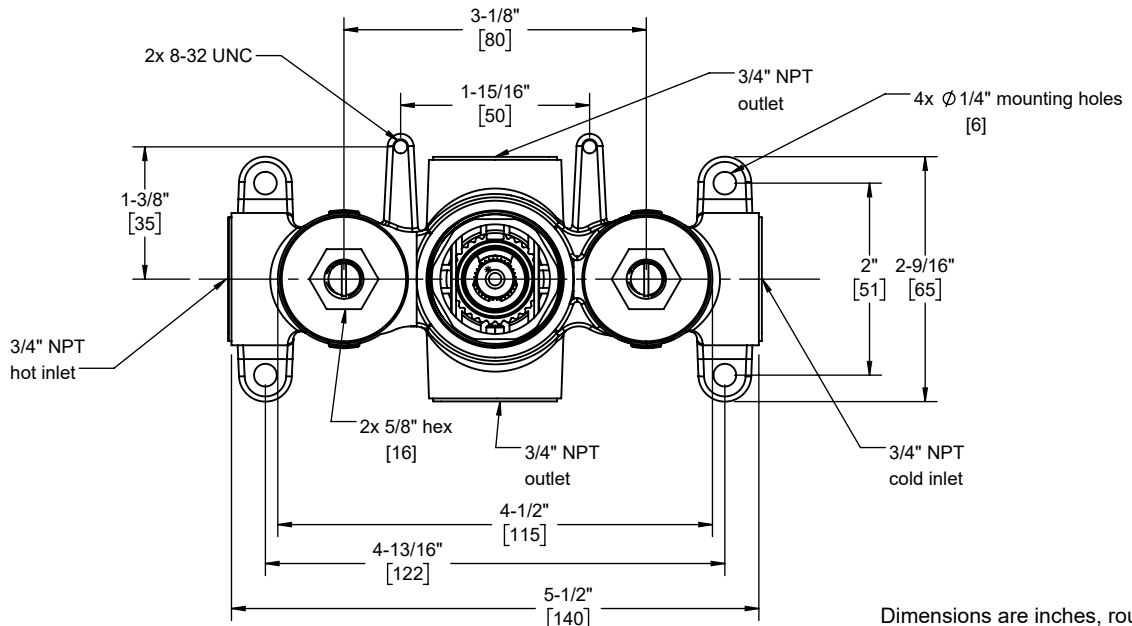
- ASME A112.18.1-2005/CSA B125.1-05
- ASSE 1016

mudguard not shown



side view

front view



Specifications subject to change without notice

Dimensions are inches, rounded to 1/16"
[Dimensions in brackets are mm, rounded to 1mm]