



California Faucets®

Steampunk Bay™

ROMAN TUB HANDSHOWER & DIVERTER TRIM

Features

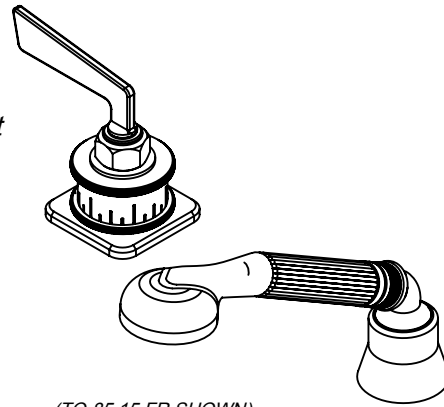
- Handshower: 1/2" MIP inlet with self-clean rubber jets
- Max flow rate: 2.0 gpm (7.6 L/min) or 1.8 gpm (6.8L/min)
- Handshower elbow: 1/2" FIP swivel nut with 1/2" MIP inlet
- Hose: 84" black poly braided hose. Provides durable & quiet operation while not damaging trim finish
- Diverter valve (DDV-R) sold separately
- All brass construction
- Over 30 finishes including 15 PVD finishes

TO-85.15.20
 TO-85.15.18
 TO-85B.15.20
 TO-85B.15.18
 TO-85W.15.20
 TO-85W.15.18

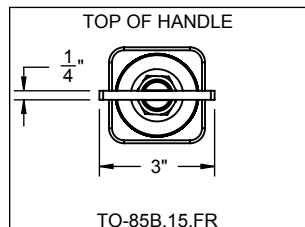
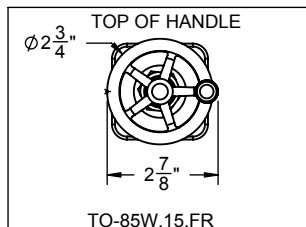
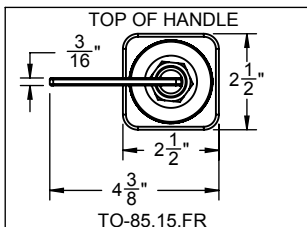
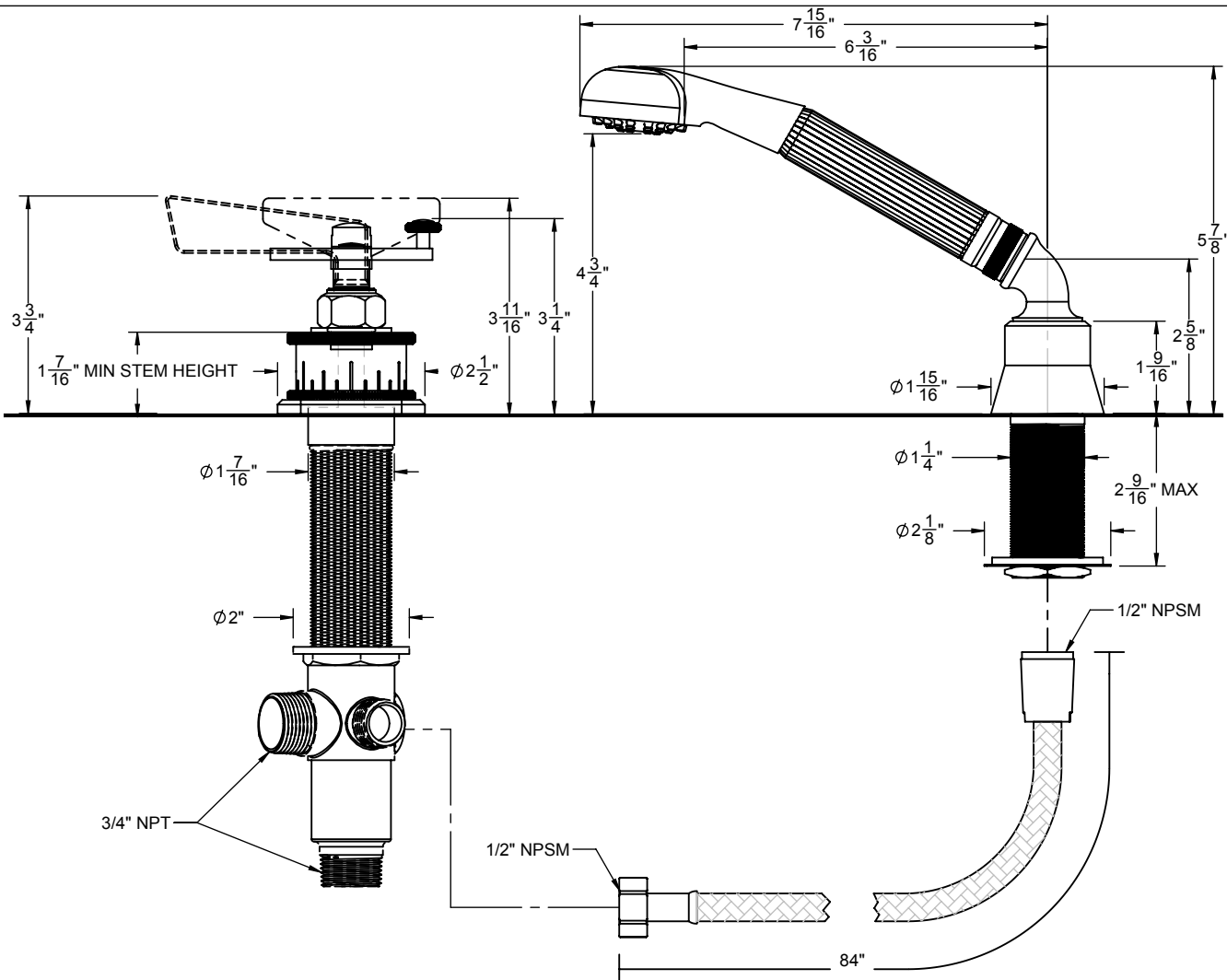
Codes/Standards

Product meets or exceeds the following:

- ASME A112.18.1/CSA B125.1
- CEC (1.8 gpm) / DOE (1.8 & 2.0 gpm)
- Commonwealth of MA
- ADA compliant (with lever handle only)



(TO-85.15.FR SHOWN)



THROUGH-HOLE SPECIFICATIONS			
	MIN	RECOMENDED	MAX
SHOWER:	$\phi 1 \frac{1}{4}$ "	$\phi 1 \frac{1}{4}$ "	$\phi 1 \frac{13}{16}$ "
VALVE:	$\phi 1 \frac{7}{16}$ "	$\phi 1 \frac{1}{2}$ "	$\phi 1 \frac{3}{4}$ "

SPECIFICATIONS SUBJECT TO CHANGE WITHOUT NOTICE

ALL DIMENSIONS SHOWN TO NEAREST 1/16"