



California Faucets®

Descanso™

ROMAN TUB SET TRIM

Features

- Maximum 8-5/8" spout center to center
- Spout has easy Quick Connect fitting
- 16 gpm (60.6 L/min) max flow rate at 60 psi
- Requires rough valve (08-75-99) sold separately
- Solid brass construction
- Over 30 finishes inclusion 15 PVD finishes

TO-3008  
TO-3008K  
TO-3008F

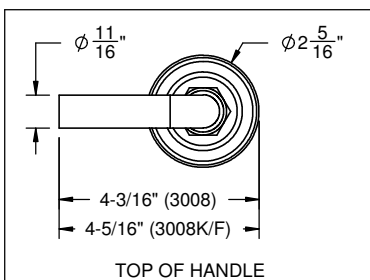
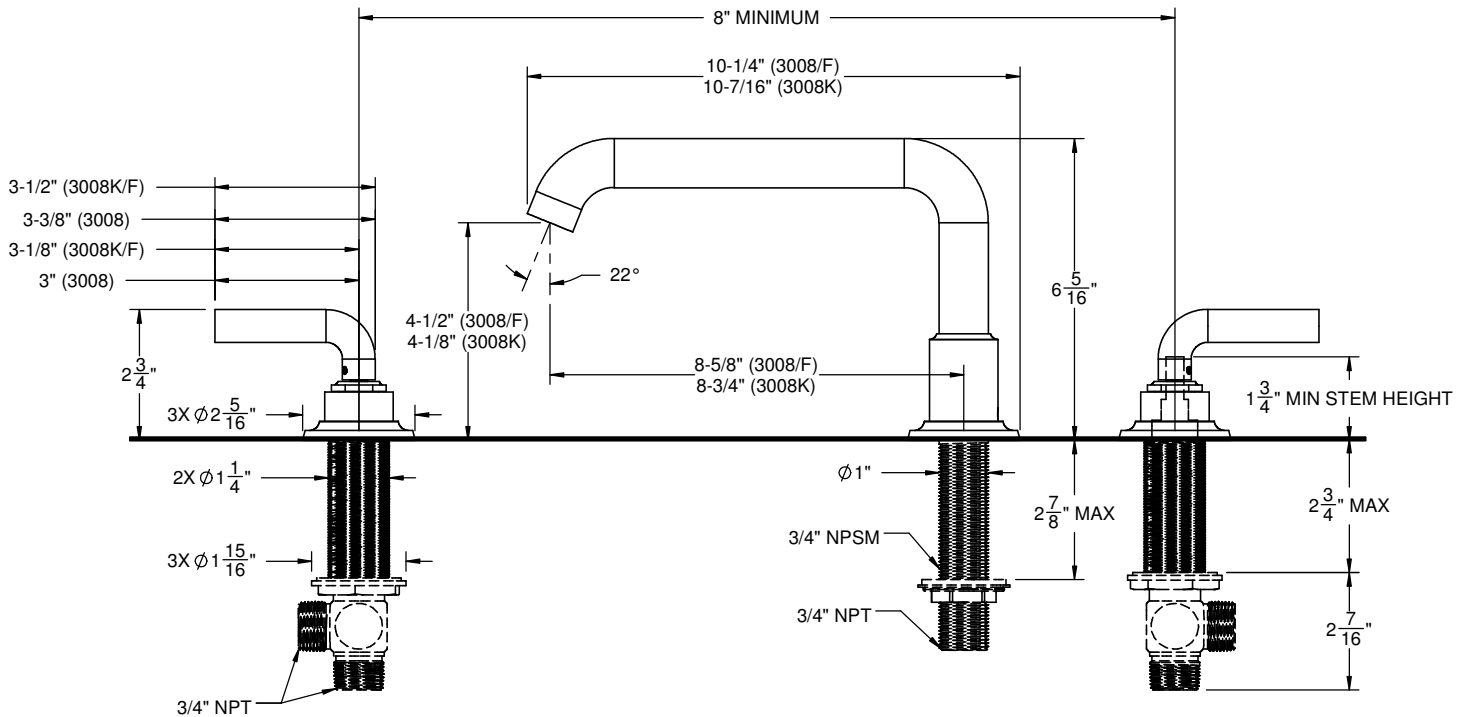


(TO-3008K SHOWN)

Codes/Standards

Product meets or exceeds the following:

- ASME A112.18.1/CSA B125.1
- ADA compliant



THROUGH-HOLE SPECIFICATIONS		
MIN	RECOMENDED	MAX
SPOUT: Ø 1"	Ø 1-3/8"	Ø 1-5/8"
VALVE: Ø 1-1/4"	Ø 1-3/8"	Ø 1-5/8"

SPECIFICATIONS SUBJECT TO CHANGE WITHOUT NOTICE

ALL DIMENSIONS SHOWN TO NEAREST 1/16"