



California Faucets®

# Steampunk Bay™

ROMAN TUB SET

## Features

- Max flow rate: 16 gpm (60.6 L/min)
- Includes rough in valves
- 1/4 turn ceramic disc cartridges
- All brass construction
- Over 30 finishes including 15 PVD finishes

8508  
8508W  
8508B

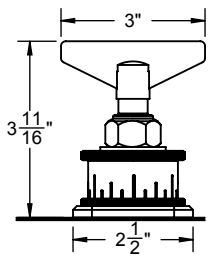
## Codes/Standards Applicable

Product meets or exceeds the following:

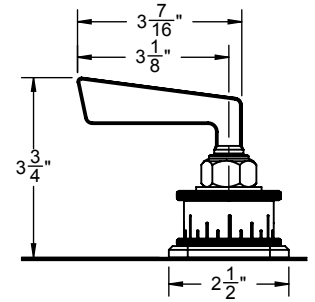
- ASME A112.18.1/CSA B125.1
- Commonwealth of MA
- ADA compliant (with lever handles)
- Local codes may require installation of an upstream tempering valve



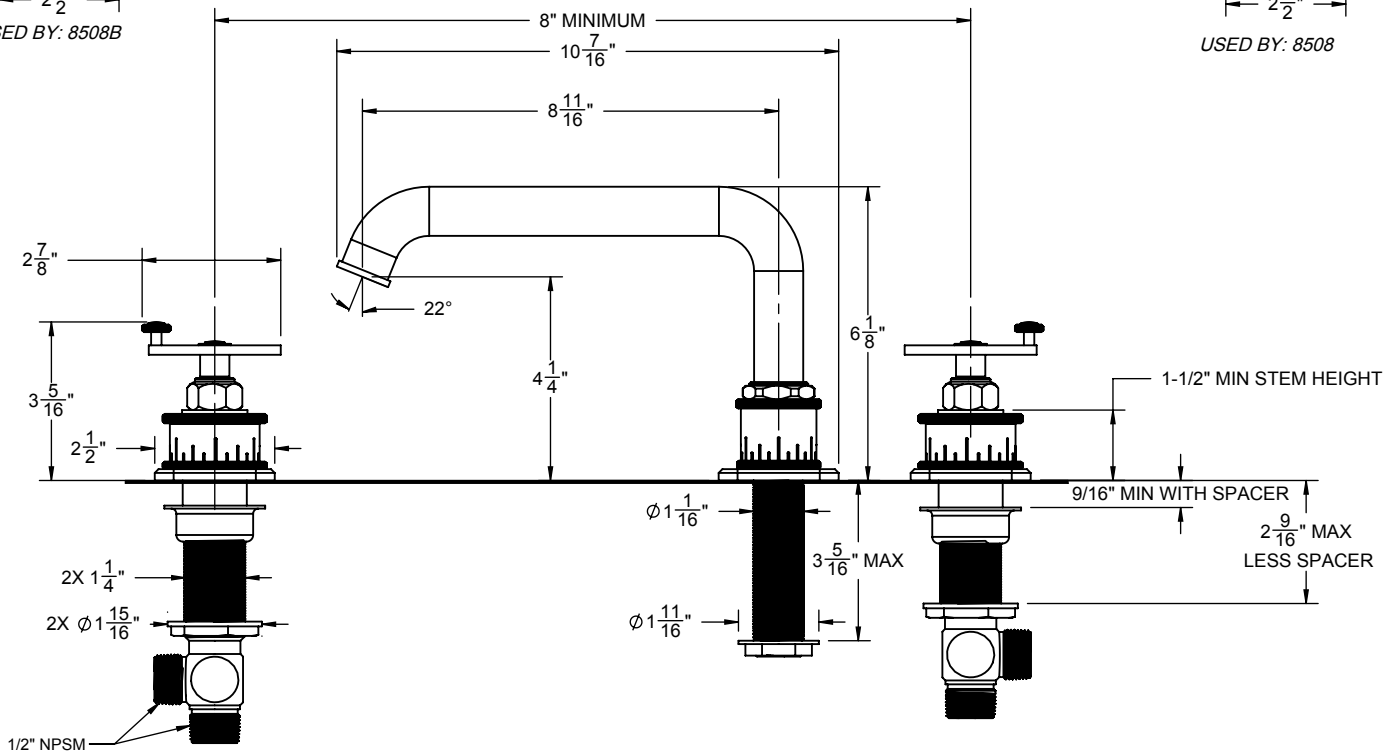
8508W SHOWN



USED BY: 8508B



USED BY: 8508



### THROUGH-HOLE SPECIFICATIONS

	MIN	RECOMMENDED	MAX
SPOUT:	Ø 1-1/16"	Ø 1-3/8"	Ø 1-1/2"
VALVE:	Ø 1-1/4"	Ø 1-3/8"	Ø 1-1/2"