



California Faucets®

**Descanso®**

INDUSTRIAL WALL MOUNT TUB FILLER WITH HANDSHOWER

**Features**

- Over 28 finishes including 13 PVD finishes
- All brass construction
- Tub filler: Maximum flow rate: 15 gpm (56.8 L/min) at 60 psi
- Handshower: Flow rate 2.0 gpm (7.6 L/min) or 1.8 gpm (6.8 L/min)
- 1/4 turn ceramic disc cartridges

**Codes/Standards Applicable**

Product meets or exceeds the following:

- ASME A112.18.1/CSA B125.1
- CEC (1.8 gpm) / DOE (2.0 & 1.8 gpm)
- Commonwealth of MA
- ADA compliant (with lever handles)
- Local codes may require installation of an upstream tempering valve

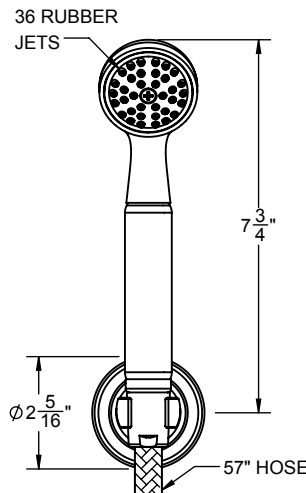
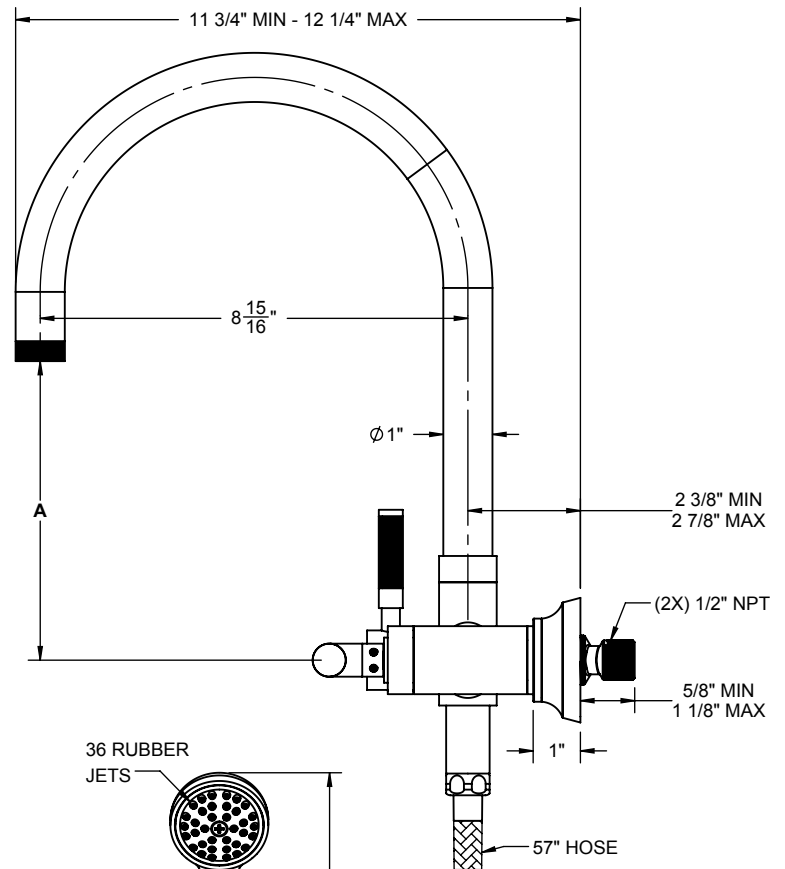
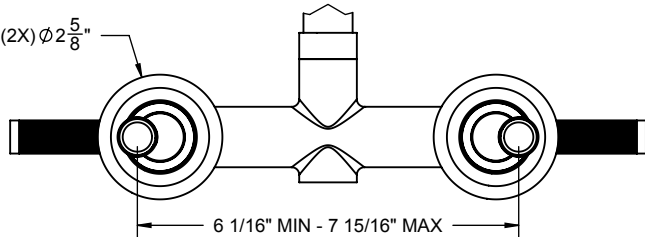
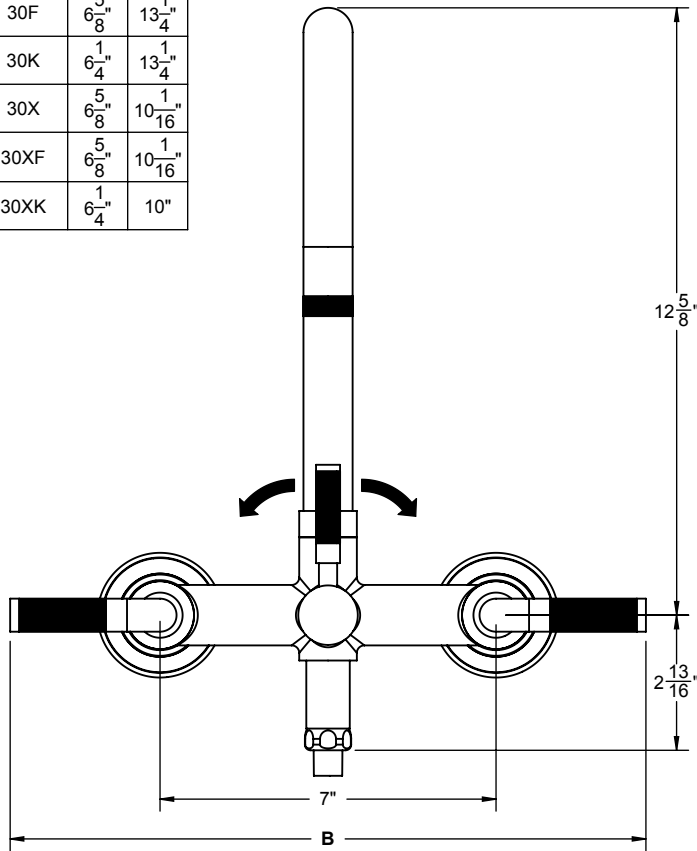
1006-XX.20  
1006-XX.18



1006-30K.FR SHOWN

XX = DENOTES HANDLE SERIES

HANDLE	A	B
30	6 <sup>5</sup> / <sub>8</sub> "	13"
30F	6 <sup>5</sup> / <sub>8</sub> "	13 <sup>1</sup> / <sub>4</sub> "
30K	6 <sup>1</sup> / <sub>4</sub> "	13 <sup>1</sup> / <sub>4</sub> "
30X	6 <sup>5</sup> / <sub>8</sub> "	10 <sup>1</sup> / <sub>16</sub> "
30XF	6 <sup>5</sup> / <sub>8</sub> "	10 <sup>1</sup> / <sub>16</sub> "
30XK	6 <sup>1</sup> / <sub>4</sub> "	10"



- (1X) PLASTIC #8-10 FINNED ANCHOR
- (1X) #10 X 2 STAINLESS STEEL SCREW

THROUGH-HOLE SPECIFICATIONS		
MIN	RECOMMENDED	MAX
Ø 1-13/16"	Ø 1-7/8"	Ø 2"

SPECIFICATIONS SUBJECT TO CHANGE WITHOUT NOTICE

ALL DIMENSIONS SHOWN TO NEAREST 1/16"