



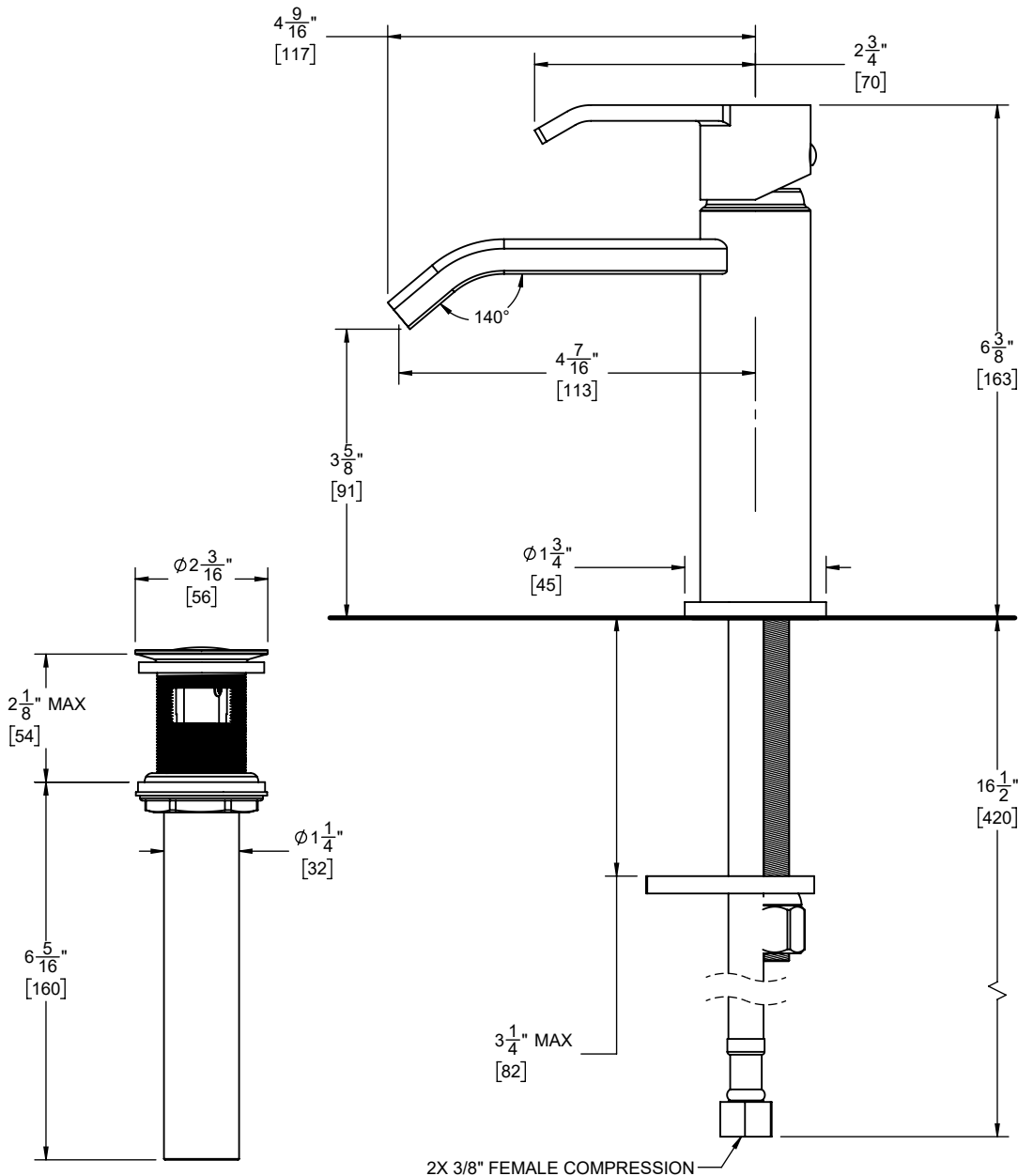
Features

- Available in 28 finishes including 13 PVD finishes
- All brass construction
- 4-7/16" spout center to center
- Single handle operation cartridge with ceramic disk
- Flexible braided hoses for ease of installation
- Ø 1-1/4" all brass touch style pop up drain assembly
- 1.2 gpm (4.5 L/m) max flow rate

Codes/Standards Applicable

Product meets or exceeds the following:

- ASME A112.18.1/CSA B125.1
- NSF/ANSI 61 & NSF/ANSI 372
- CEC / DOE
- Commonwealth of MA
- EPA WaterSense High Efficiency Lavatory
- ADA Compliant



THROUGH-HOLE SPECIFICATIONS	
MIN	RECOMENDED
SPOUT: Ø 1-1/4" [32]	Ø 1-3/8" [35]
DRAIN: Ø 1-1/2" [38]	Ø 1-3/4" [44]

DIMENSIONS TO NEAREST 1/16"
[DIMENSIONS TO NEAREST 1mm]