



California Faucets®

Descanso™

WALL TUB SPOUT

Features

- Maximum 6-7/16" wall to center
- Max flow rate: 16 gpm (60.6 L/m) at 60 psi
- For use with StyleTherm, 3-VR or 2-VR valves
- Solid brass construction
- Over 30 finishes including 15 PVD finishes

TS-30-30
TS-30K-30

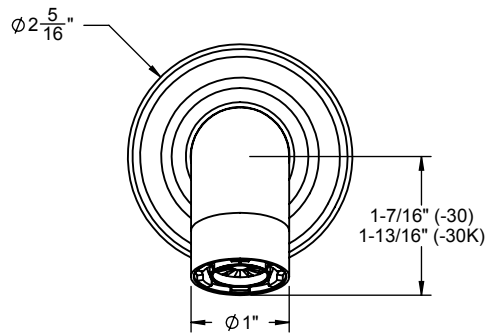
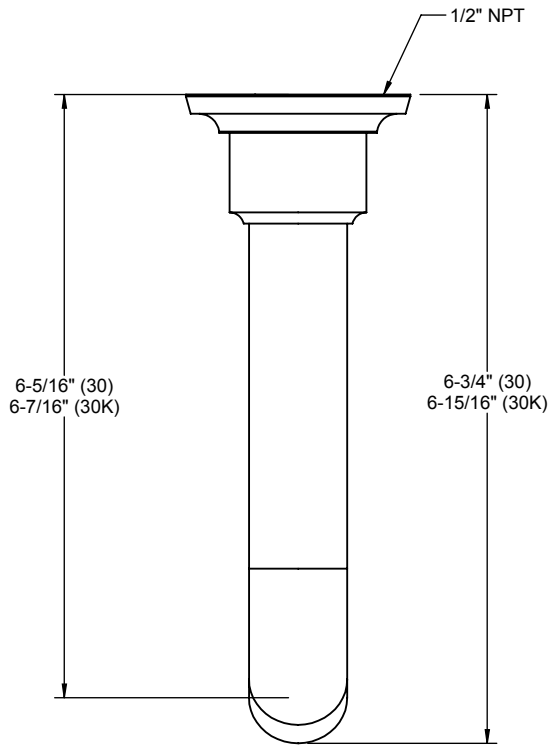


Codes/Standards

Product meets or exceeds the following:

- ASME A112.18.1/CSA B125.1

(TS-30K-30 SHOWN)



THROUGH-HOLE SPECIFICATIONS

	MIN	RECOMENDED	MAX
SPOUT: $\phi 1$ "		$\phi 1 \frac{1}{4}$ "	$\phi 1 \frac{9}{16}$ "