



California Faucets®

Descanso®

INDUSTRIAL COLD ONLY WATER DISPENSER

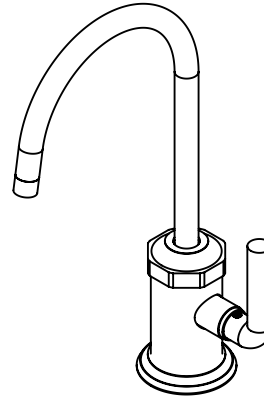
Features

- Over 28 finishes including 13 PVD finishes
- All brass construction
- 360° rotating spout
- Fits most popular cold/filtered water units with 1/4" compression; faucet is **not** compatible with RO filter units
- Max flow rate: 1.8 gpm (6.8 L /min); flow rate may vary based on filter unit
- Ceramic disc cartridge

Codes/Standards Applicable

Product meets or exceeds the following:

- ASME A112.18.1/CSA B125.1
- NSF 61 and NSF 372
- CEC/DOE
- Commonwealth of MA
- ADA compliant

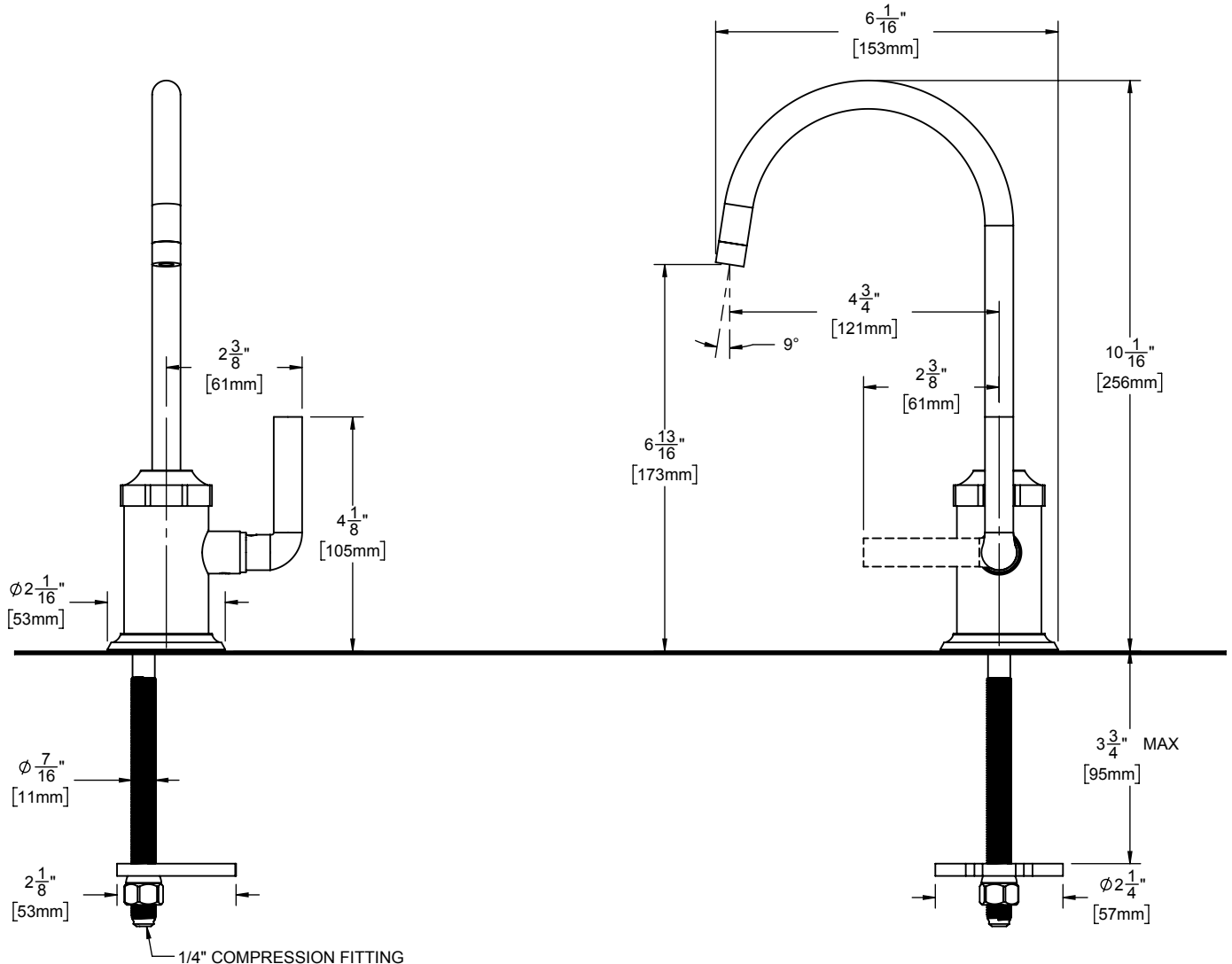


CF-9620-K30-SL shown

CF-9620-K30-FL
CF-9620-K30-KL
CF-9620-K30-SL



XX = DENOTES HANDLE STYLE



THROUGH-HOLE SPECIFICATIONS		
MIN	RECOMMENDED	MAX
Ø 1/2" [13mm]	Ø 1" [25mm]	Ø 1-1/2" [38mm]

ALL DIMENSIONS SHOWN TO NEAREST 1/16"
[DIMENSIONS SHOWN TO NEAREST 1mm]

SPECIFICATIONS SUBJECT TO CHANGE WITHOUT NOTICE