

California Faucets®

KITCHEN

INDUSTRIAL HOT ONLY WATER DISPENSER

Features

- Over 28 finishes including 13 PVD finishes
- All brass construction
- 360° rotating spout
- Insulated body and spout to reduce heat transfer to faucet
- Self-closing handle
- Max flow rate: 1.8 gpm (6.8 L /min); varies with hot water tank
- Faucet is **not** compatible with RO filter unit
- Requires Hot Water Tank (9628SS) sold separately

Codes/Standards Applicable

Product meets or exceeds the following:

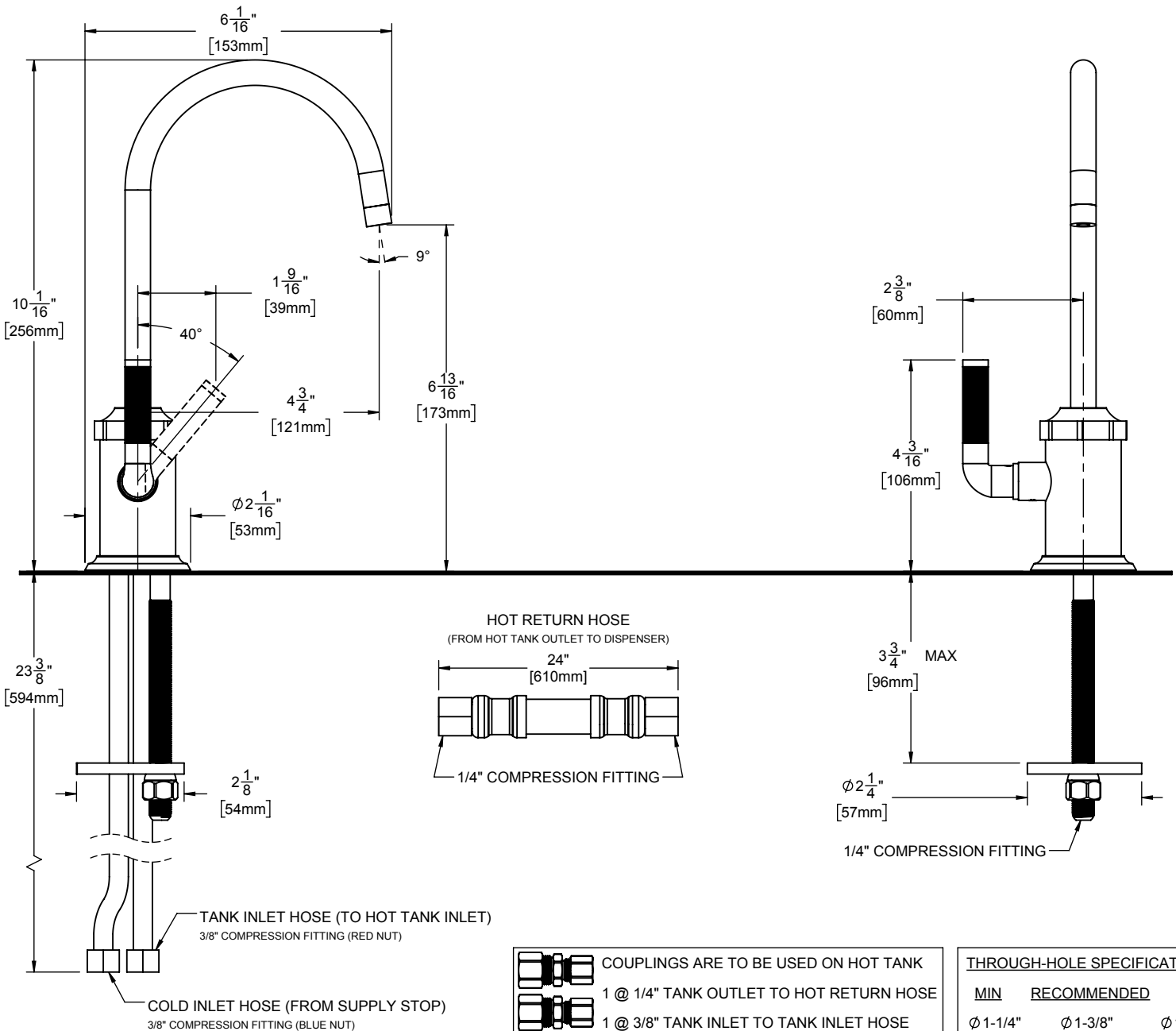
- ASME A112.18.1/CSA B125.1
- NSF 61 and NSF 372
- CEC / DOE
- Commonwealth of MA
- ADA Compliant

CF-9625-K30-FL
 CF-9625-K30-KL
 CF-9625-K30-SL



CF-9625-K30-KL shown

XX = DENOTES HANDLE STYLE



SPECIFICATIONS SUBJECT TO CHANGE WITHOUT NOTICE

ALL DIMENSIONS SHOWN TO NEAREST 1/16"