



Features

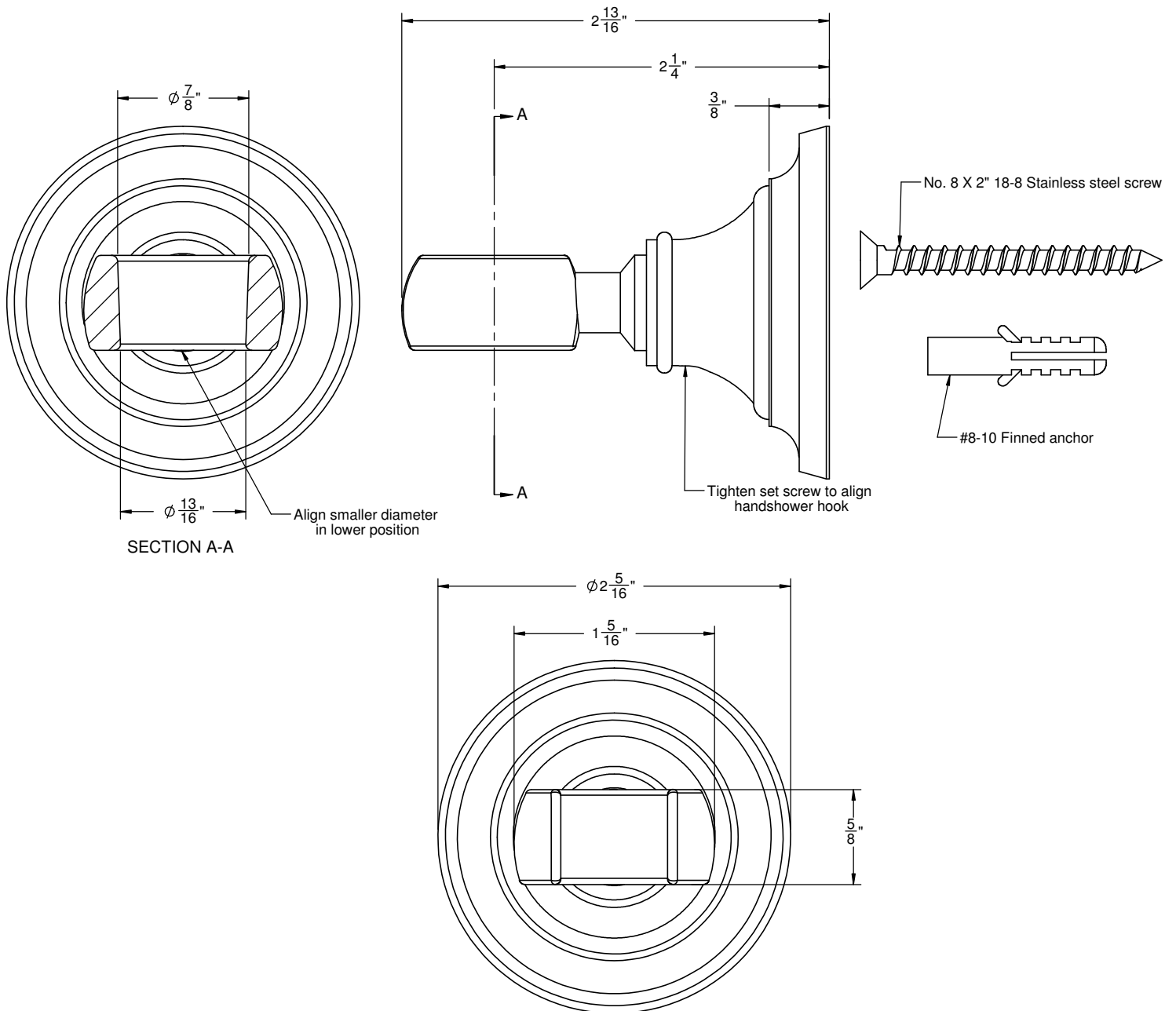
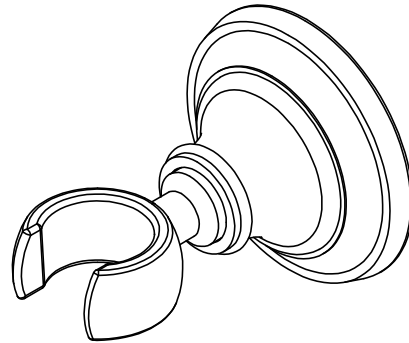
- Over 30 finishes including 14 PVD finishes
- Solid brass construction
- All mounting hardware included
- Accepts most conical handshower hoses

Codes/Standards Applicable

Meets or exceeds the following at date of manufacture:

- ASME A112.18.1/CSA B125.1

SH-20-48



ALL DIMENSIONS SHOWN TO NEAREST 1/16"



California Faucets®

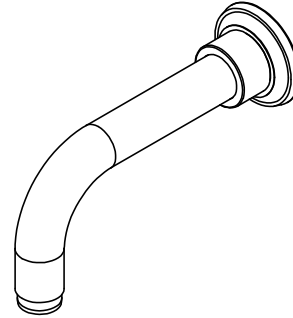
RINCON BAY™

WALL TUB SPOUT

Features

- 6-1/2" wall to center
- Max flow rate: 16gpm (60.6 L/min)
- For use with StyleTherm, 3-VR or 2-VR valves
- Solid brass construction
- Over 30 finishes including 15 PVD finishes

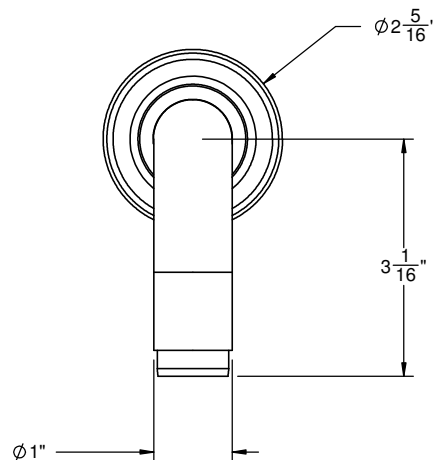
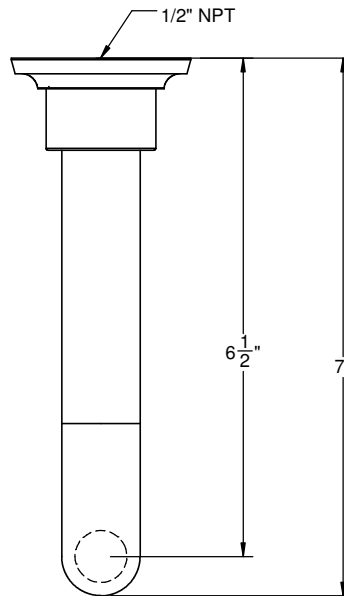
TS-45

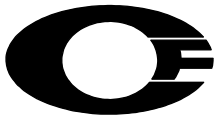


Codes/Standards Applicable

- Product meets or exceeds the following:
- ASME A112.18.1/CSA B125.1

THROUGH-HOLE SPECIFICATIONS		
MIN	RECOMMENDED	MAX
Ø 1"	Ø 1-1/4"	Ø 1-9/16"





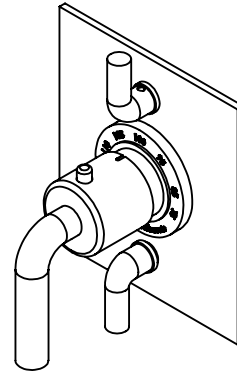
Features

- All brass construction
- Engraved brass temperature ring
- Rectangular flat faceplate
- 100° F safety stop button with manual override
- Handles to match all California Faucets series
- Over 30 finishes including 15 PVD finishes

Codes/Standards Applicable

Specified model meets or exceeds the following:

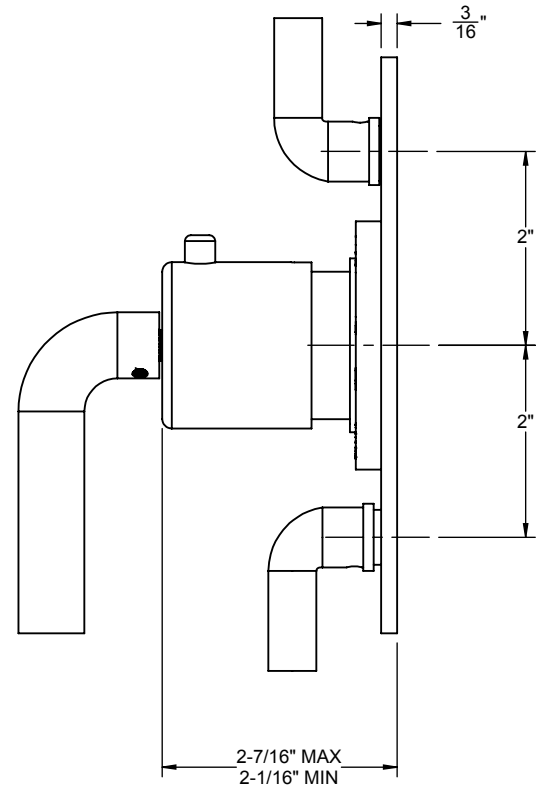
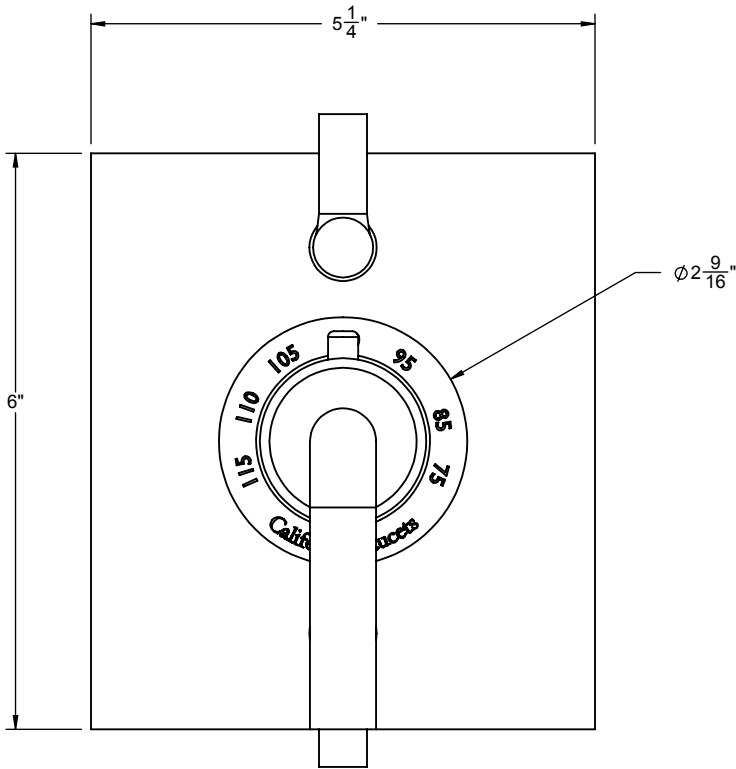
- ASME A112.18.1-2005/CSA B125.1-05
- ASSE 1016
- ADA (with lever handles)

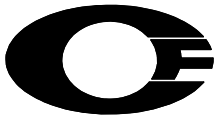


TO-THF2L-XX

*TO-THF2L-74 SHOWN

XX = Series Handle





California Faucets®

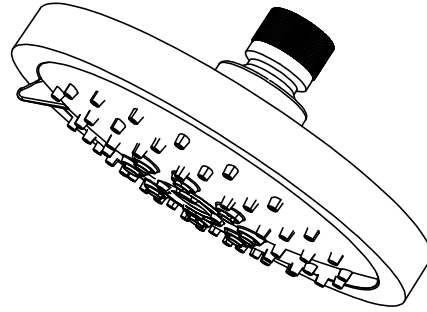
SHOWERHEAD

5-5/8" MULTI-FUNCTION CONTEMPORARY

Features

- 1/2" FIP inlet
- 3 function: rain, air & massage
- Self-cleaning rubber jets
- Solid brass pivot ball & body
- 5-5/8" diameter, gray face
- Over 30 finishes including 15 PVD finishes
- Replace .FR with desired max flow rate:
 - SH-083.25 for 2.5 gpm
 - SH-083.20 for 2.0 gpm
 - SH-083.18 for 1.8 gpm

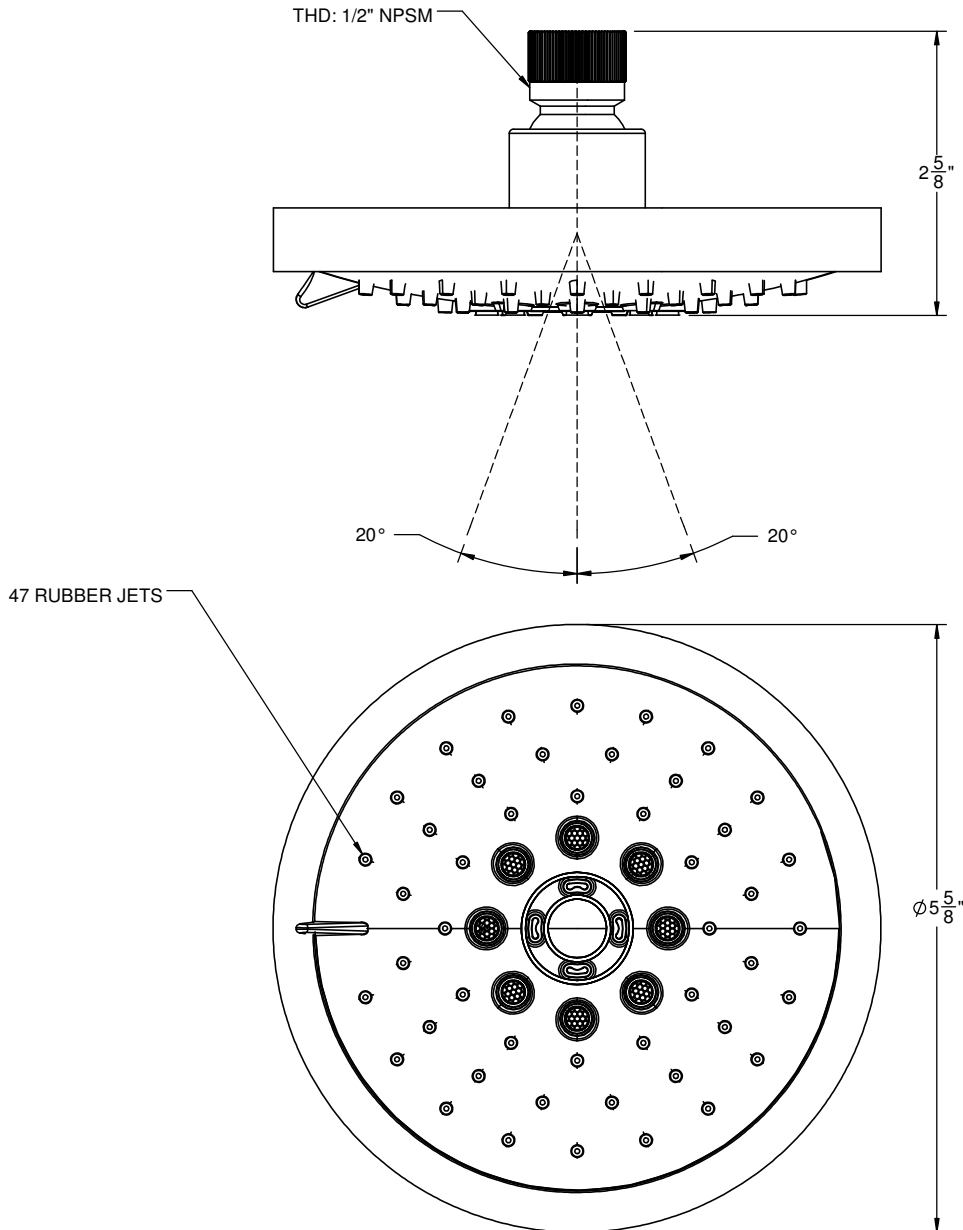
SH-083.25
SH-083.20
SH-083.18



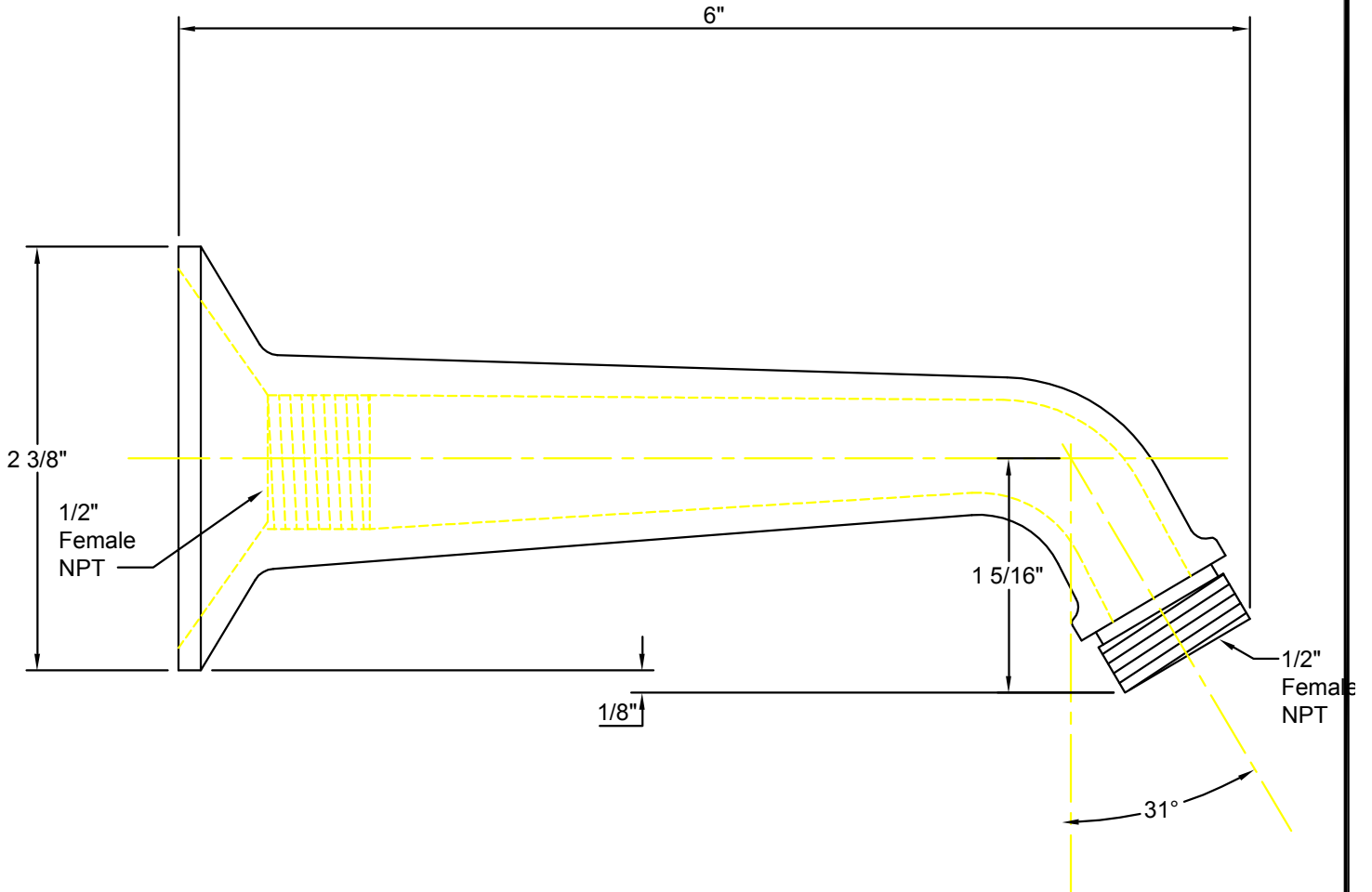
Codes/Standards

Product meets or exceeds the following:

- ASME A112.18.1/CSA B125.1
- CEC (1.8 gpm)
- DOE (2.5, 2.0, & 1.8 gpm)
- Commonwealth of MA
- EPA WaterSense Showerhead (2.0 gpm)



IMPORTANT:
All dimensions are + or -




California Faucets®
info@calfaucets.com
www.calfaucets.com

FIXTURE: One Piece 6" Shower Arm	
MODEL #: SH-01.6	
DWG NO:	REV:

REVISIONS	REV DATE	STARTING DATE:
		APPRVD DATE:
		APPRVD BY:
		SCALE: None
		DRAWN BY: William Linares william@calfaucets.com



California Faucets®

StyleFlow™ IKO

4-3/4" MULTI-FUNCTION CONTEMPORARY

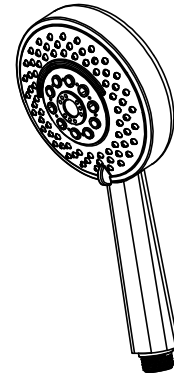
Features

- 1/2" MIP inlet
- Swiss shower technology™
- 4 functions: rain, air, booster massage & blade
- Self-cleaning rubber jets
- ABS body
- 4-3/4" diameter, gray face
- Replace .FR with desired flow rate:
HS-504.25 for 2.5 gpm
HS-504.20 for 2.0 gpm

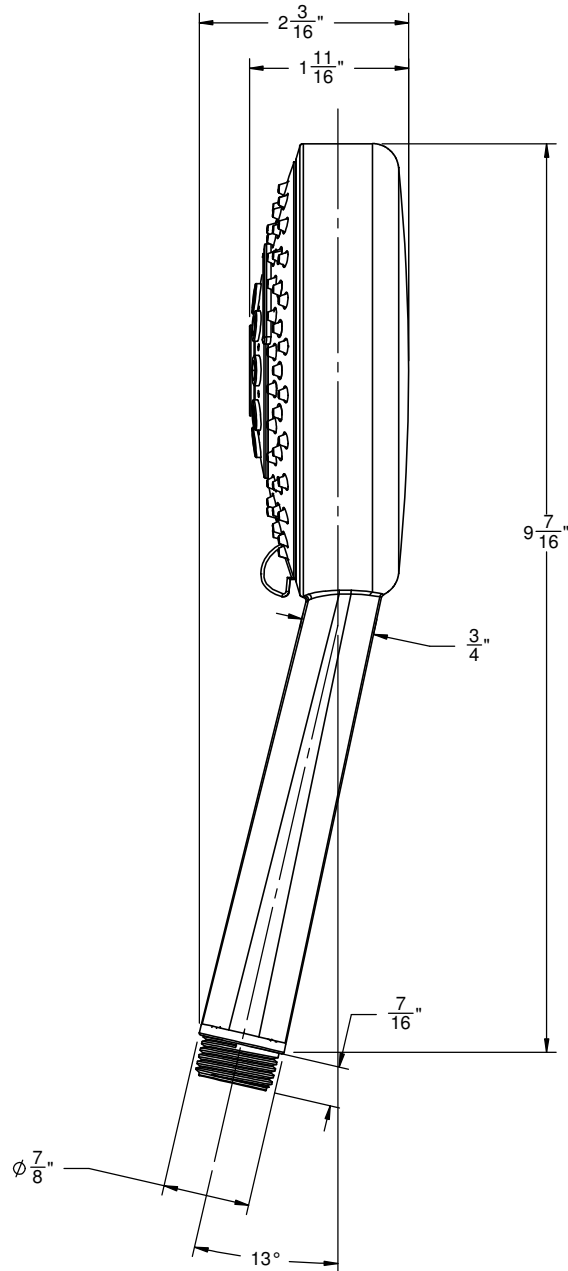
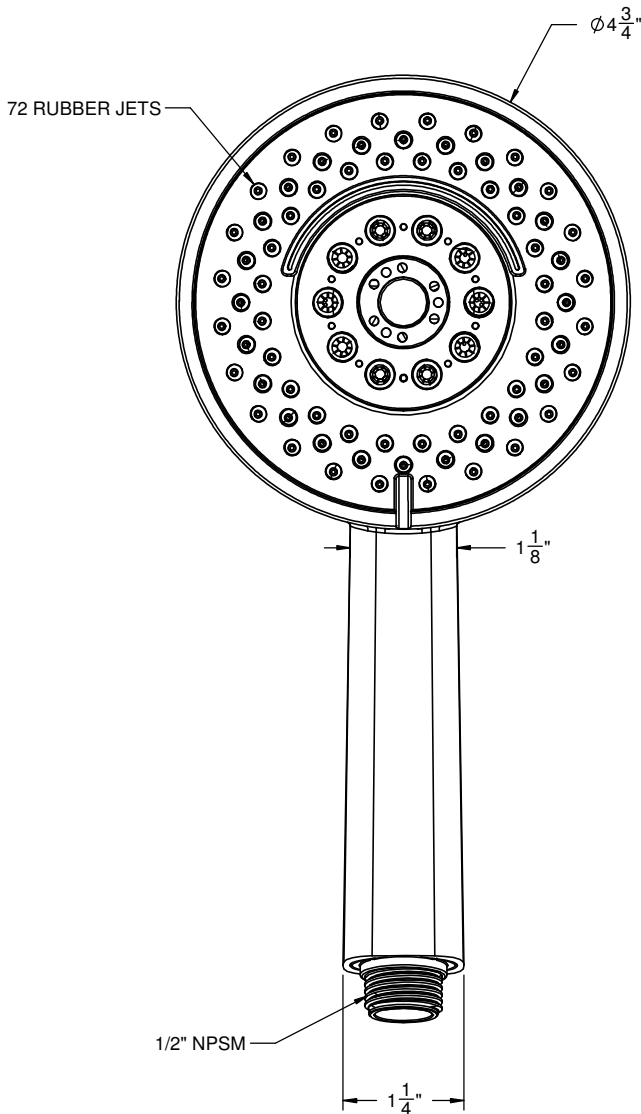
Codes/Standards Applicable

Product meets or exceeds the following:

- ASME A112.18.1/CSA B125.1
- CEC (2.0 gpm)



HS-504.25
 HS-504.20
 HS-504
 WE-HS-504



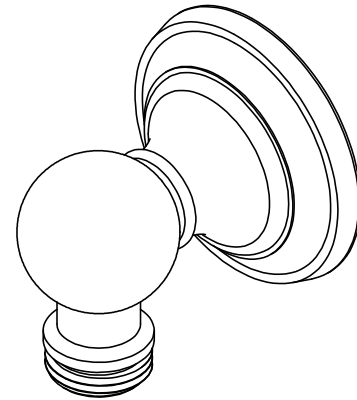
ALL DIMENSIONS SHOWN TO NEAREST 1/16"



Features

- Over 30 finishes including 14 PVD finishes
- Solid brass construction
- 1/2" NPT (female) inlet connection
- 1/2" NPSM (male) outlet connection

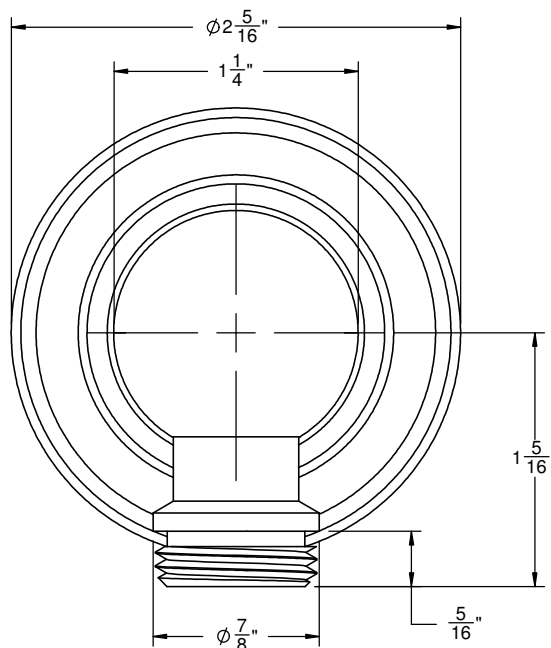
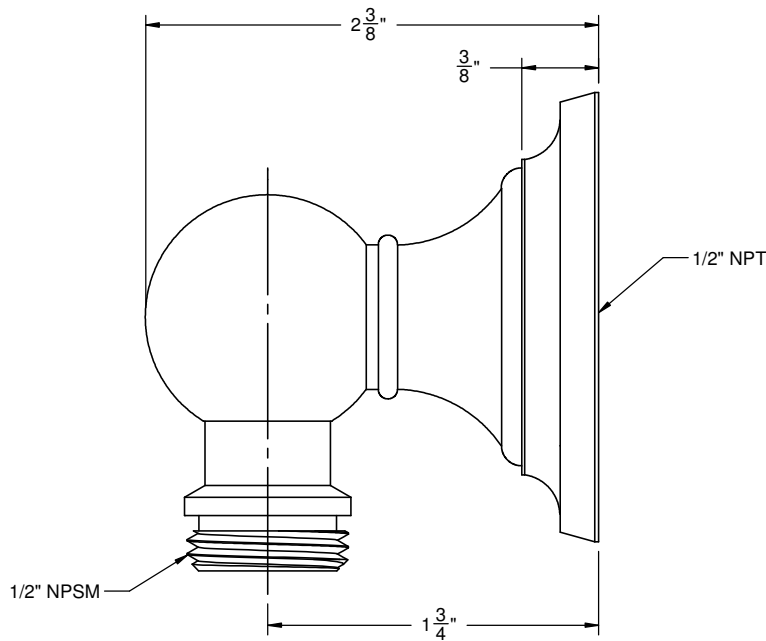
SH-10-48



Codes/Standards Applicable

Meets or exceeds the following at date of manufacture:

- ASME A112.18.1/CSA B125.1



ALL DIMENSIONS SHOWN TO NEAREST 1/16"