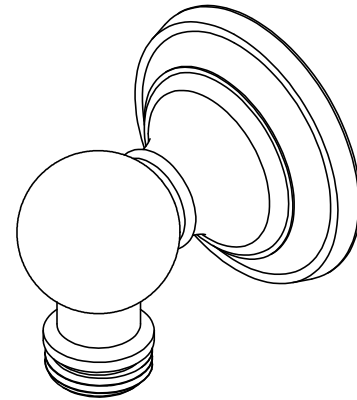




Features

- Over 30 finishes including 14 PVD finishes
- Solid brass construction
- 1/2" NPT (female) inlet connection
- 1/2" NPSM (male) outlet connection

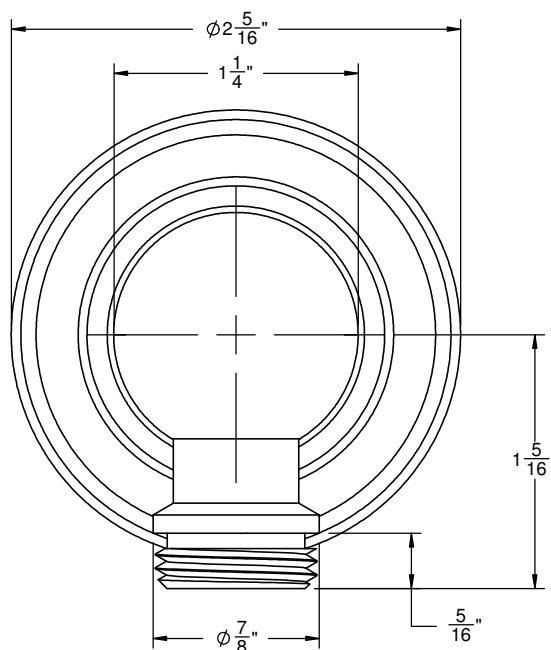
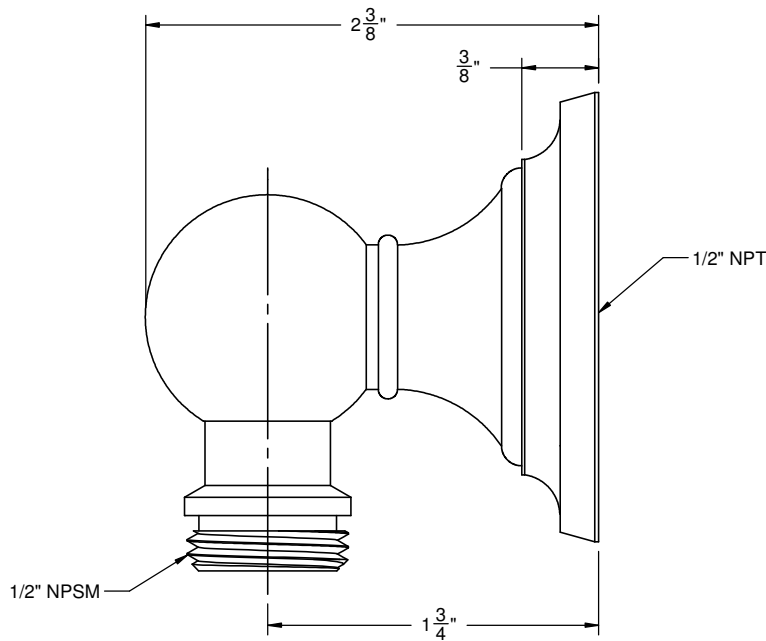
SH-10-48



Codes/Standards Applicable

Meets or exceeds the following at date of manufacture:

- ASME A112.18.1/CSA B125.1



ALL DIMENSIONS SHOWN TO NEAREST 1/16"



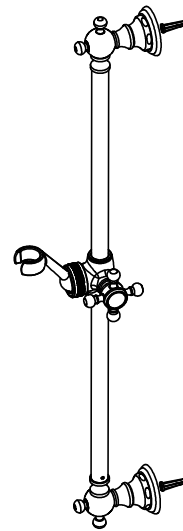
Features

- Over 30 finishes including 11 PVD finishes
- All brass construction
- Matching handle & escutcheon for all California Faucets series
- Bar pivots 180° without loosening slide handle
- Handshower holder slides up and down on bar
- Handshower holder angle is adjustable
- Handshower holder accepts conical end of hose
- Right or left handed based on installation
- Includes all mounting hardware
- See www.calfaucets.com for complete selection

Codes/Standards Applicable

Specified model meets or exceeds the following:

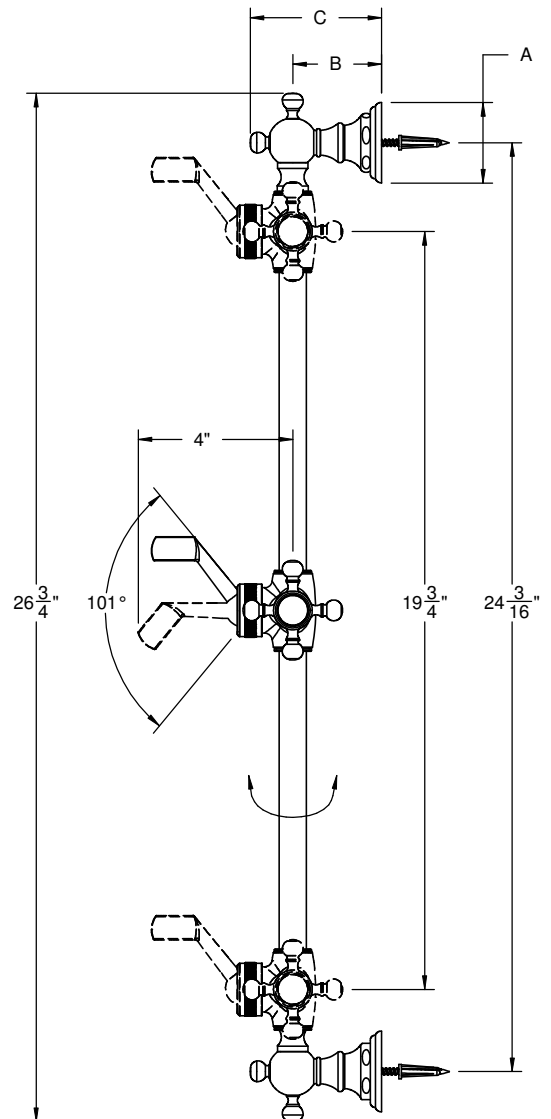
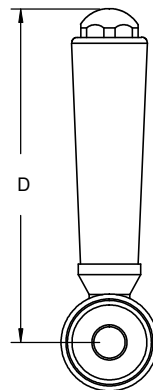
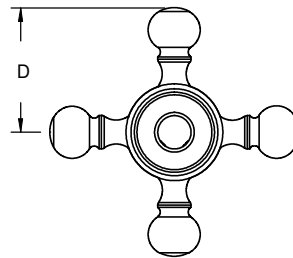
- ASME A112.18.1/CSA B125.1
- ADA (all lever handles)



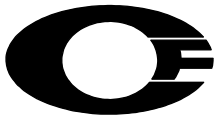
SB-XX

XX = SERIES HANDLE

TABLE (ALL DIMENSIONS SHOWN IN INCHES)				
SERIES	A	B	C	D
33	2 ¹ / ₈	2 ⁹ / ₁₆	3 ¹¹ / ₁₆	3 ¹ / ₂
34	2 ¹ / ₈	2 ⁹ / ₁₆	3 ¹¹ / ₁₆	1 ¹ / ₈
35	2 ¹ / ₈	2 ⁹ / ₁₆	3 ¹¹ / ₁₆	3 ⁷ / ₁₆
36	2 ¹ / ₈	2 ⁹ / ₁₆	3 ¹¹ / ₁₆	3 ¹ / ₁₆
38	2 ⁷ / ₈	2 ¹¹ / ₁₆	3 ³ / ₄	2 ⁷ / ₈
40	2 ¹³ / ₁₆	2 ⁵ / ₈	3 ³ / ₄	3 ¹ / ₄
42	2 ¹³ / ₁₆	2 ⁵ / ₈	3 ³ / ₄	2 ¹⁵ / ₁₆
46	2 ⁵ / ₁₆	2 ³ / ₈	3 ¹ / ₂	3 ⁷ / ₁₆
47	2 ⁵ / ₁₆	2 ³ / ₈	3 ¹ / ₂	1 ³ / ₈
50	2 ⁹ / ₁₆	2 ⁵ / ₁₆	3 ³ / ₈	2 ¹³ / ₁₆
51	3 ¹ / ₄	2 ¹¹ / ₁₆	3 ¹³ / ₁₆	1 ¹ / ₁₆
55	2 ¹³ / ₁₆	2 ⁵ / ₈	3 ³ / ₄	3 ⁵ / ₁₆
59	2 ¹³ / ₁₆	2 ¹³ / ₁₆	3 ⁷ / ₈	3
60	2 ¹ / ₈	2 ⁵ / ₁₆	3 ⁷ / ₁₆	1 ⁵ / ₁₆
63	2 ⁵ / ₁₆	2 ³ / ₈	3 ¹ / ₂	1 ⁹ / ₁₆
64	2 ¹³ / ₁₆	2 ¹³ / ₁₆	3 ⁷ / ₈	3 ⁵ / ₁₆
67	2 ¹ / ₈	2 ⁵ / ₁₆	3 ⁷ / ₁₆	1 ³ / ₈
68	2 ¹ / ₈	2 ⁹ / ₁₆	3 ¹¹ / ₁₆	3 ³ / ₈
69	2 ¹ / ₈	2 ⁹ / ₁₆	3 ¹¹ / ₁₆	3 ¹ / ₂



ALL DIMENSIONS SHOWN TO NEAREST 1/16"



California Faucets®

StyleTherm®

1/2" Thermostatic w/ single volume control Trim Only

Features

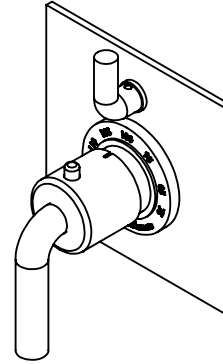
- All brass construction
- Engraved brass temperature ring
- Square flat faceplate
- 100° F safety stop button with manual override
- Handles to match all California Faucets series
- Over 30 finishes including 15 PVD finishes

Codes/Standards Applicable

Specified model meets or exceeds the following:

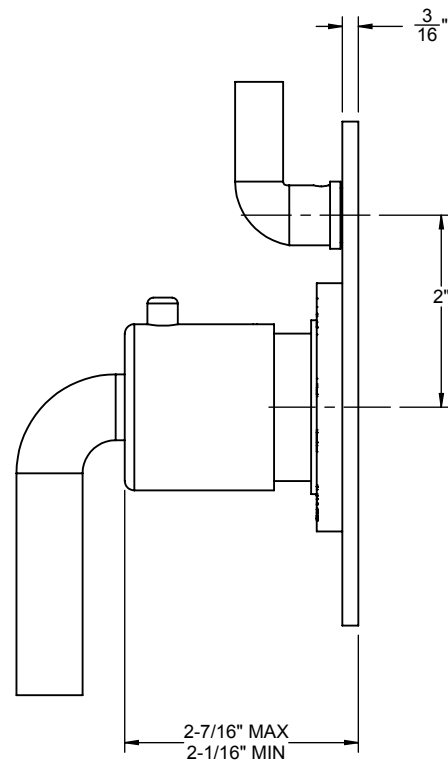
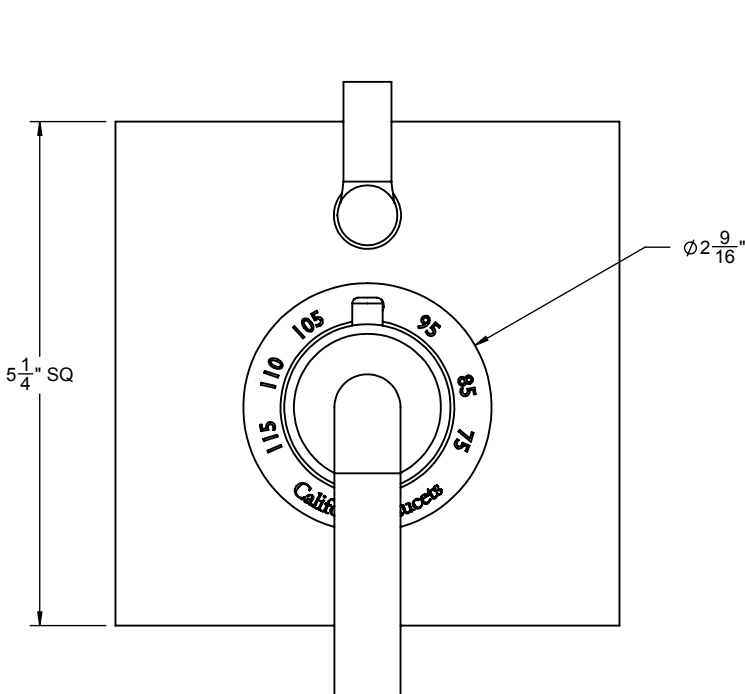
- ASME A112.18.1-2005/CSA B125.1-05
- ASSE 1016
- ADA (with lever handles)

TO-THF1L-XX

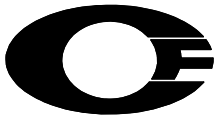


*TO-THF1L-74 SHOWN

XX = Series Handle



ALL DIMENSIONS SHOWN TO NEAREST 1/16"



California Faucets®

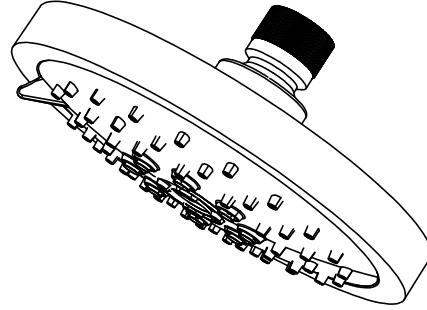
SHOWERHEAD

5-5/8" MULTI-FUNCTION CONTEMPORARY

Features

- 1/2" FIP inlet
- 3 function: rain, air & massage
- Self-cleaning rubber jets
- Solid brass pivot ball & body
- 5-5/8" diameter, gray face
- Over 30 finishes including 15 PVD finishes
- Replace .FR with desired max flow rate:
 - SH-083.25 for 2.5 gpm
 - SH-083.20 for 2.0 gpm
 - SH-083.18 for 1.8 gpm

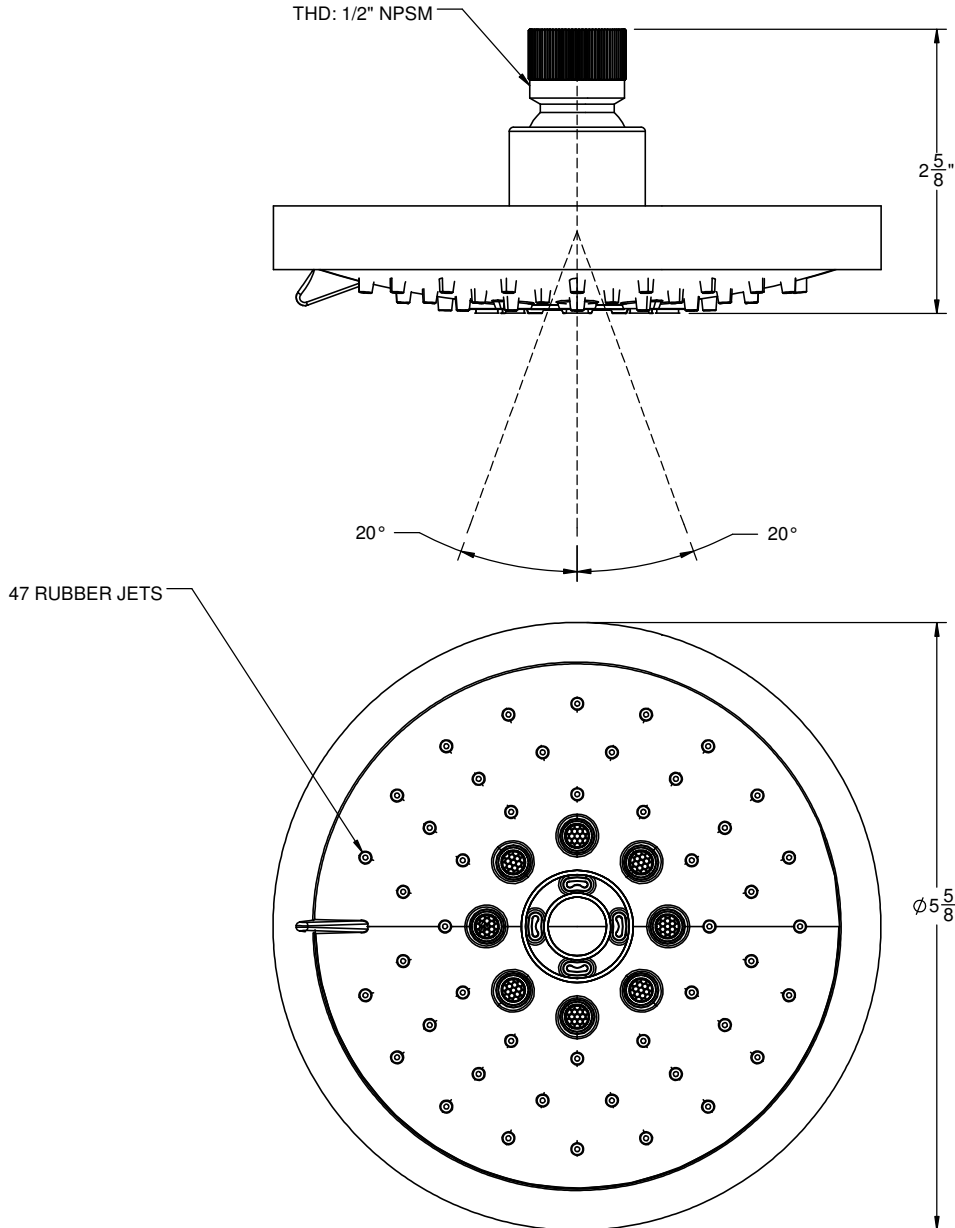
SH-083.25
SH-083.20
SH-083.18



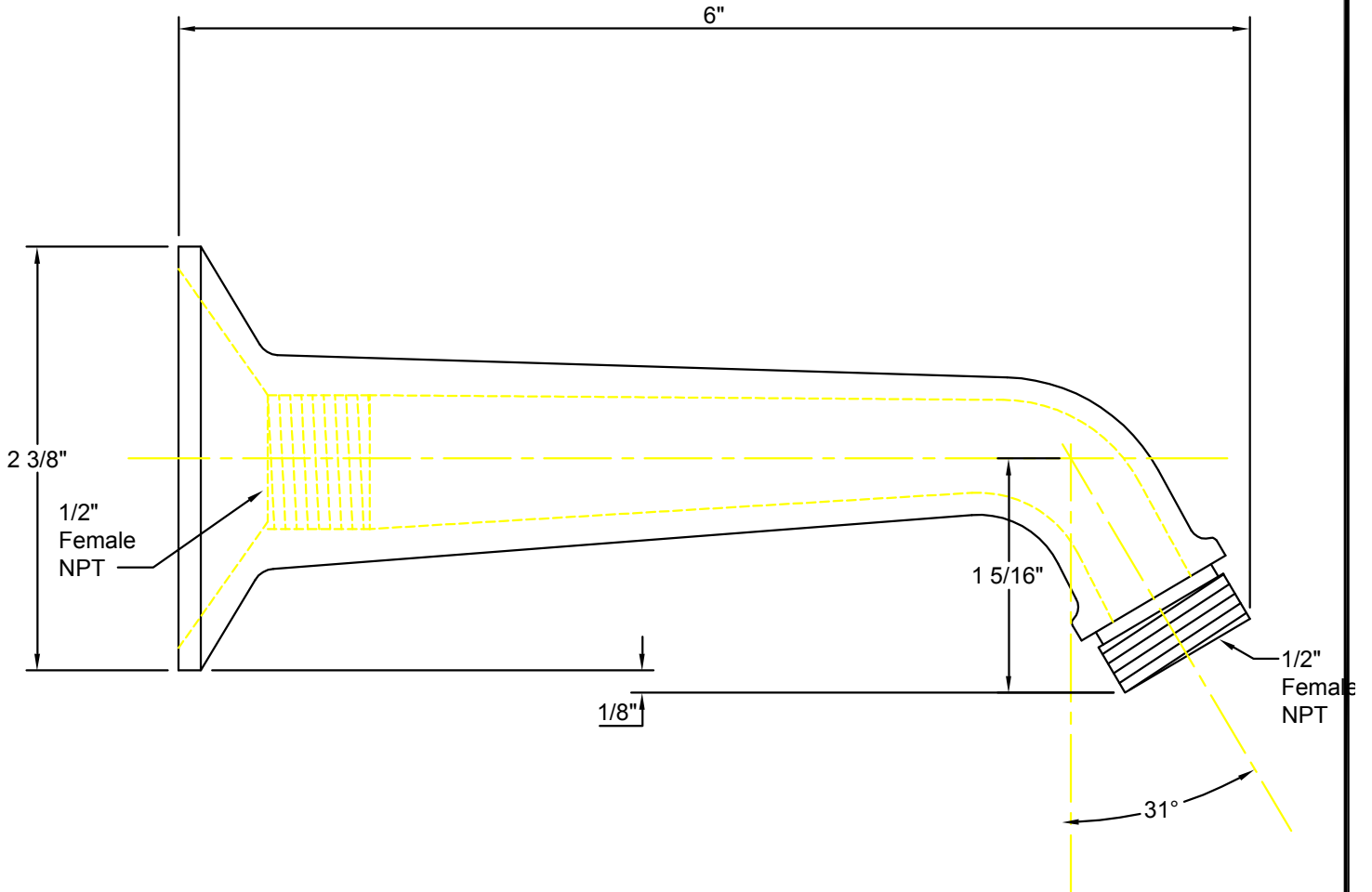
Codes/Standards

Product meets or exceeds the following:

- ASME A112.18.1/CSA B125.1
- CEC (1.8 gpm)
- DOE (2.5, 2.0, & 1.8 gpm)
- Commonwealth of MA
- EPA WaterSense Showerhead (2.0 gpm)



IMPORTANT:
All dimensions are + or -




California Faucets®
info@calfaucets.com
www.calfaucets.com

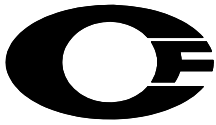
FIXTURE:
One Piece 6" Shower Arm

MODEL #: SH-01.6

DWG NO: .

REV:

REVISIONS	REV DATE	STARTING DATE:
		APPRVD DATE:
		APPRVD BY:
		SCALE: None
		DRAWN BY: William Linares william@calfaucets.com



California Faucets®

Handshower

CONTEMPORARY

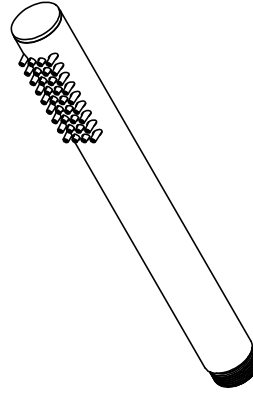
Features

- 1/2" MIP inlet
- Brass construction
- Self-cleaning rubber jets
- Replace .FR with desired max flow rate:
 HS-62.25 for 2.5 gpm
 HS-62.20 for 2.0 gpm

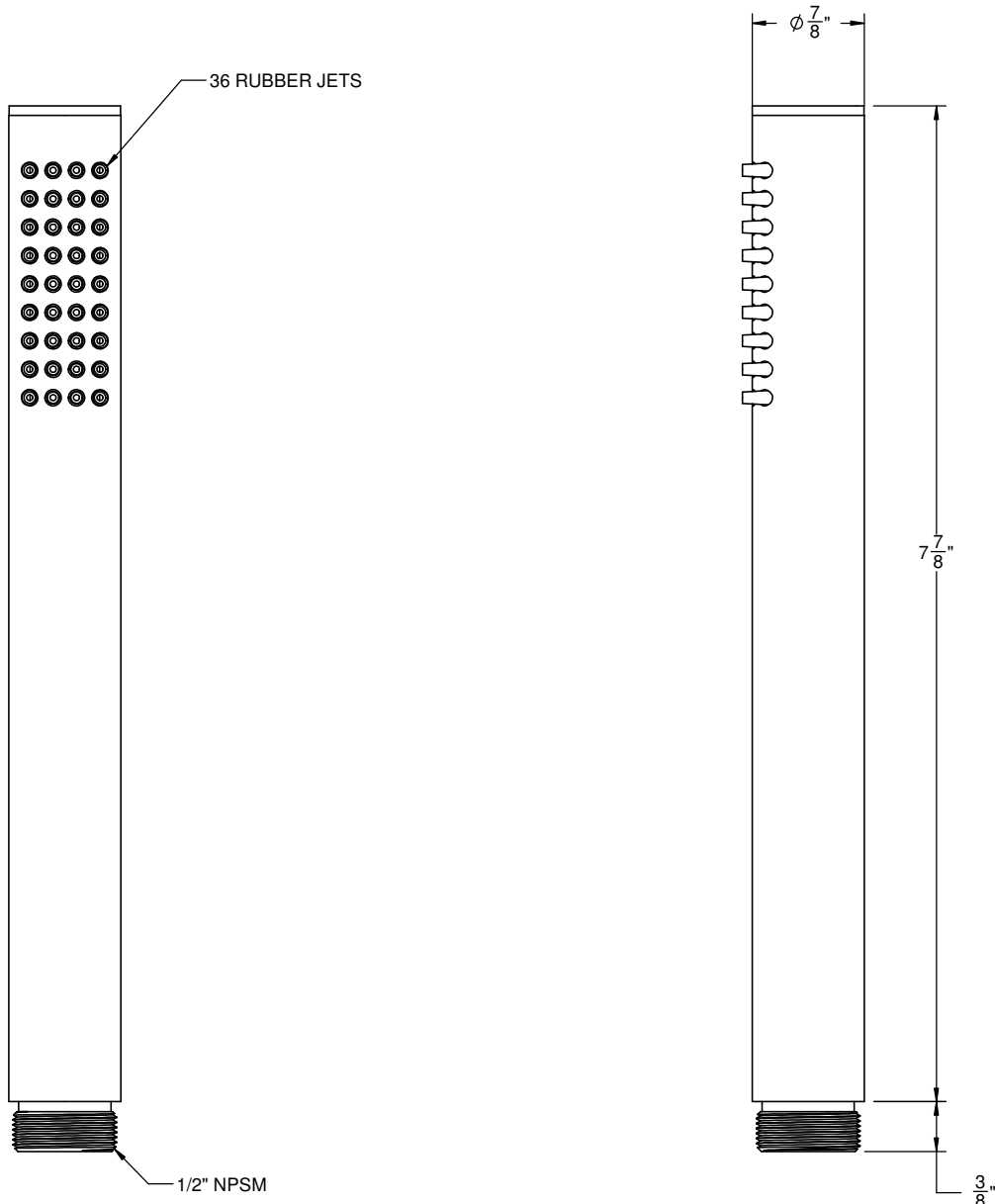
Codes/Standards

Product meets or exceeds the following:

- ASME A112.18.1/CSA B125.1
- CEC (2.0 gpm)



HS-62.25
 HS-62.20
 HS-62
 WE-HS-62



ALL DIMENSIONS SHOWN TO NEAREST 1/16"