



California Faucets®

Descanso®

Widespread Lavatory Faucet

Features

- 25+ artisan finishes including 12 PVD finishes
- All brass construction
- 1/4 turn ceramic disc cartridge(s)
- Flexible braided hoses for ease of installation
- Φ 1-1/4" all brass touch style pop up drain assembly
- 1.2gpm (4.5 L/min) max flow rate

Codes/Standards Applicable

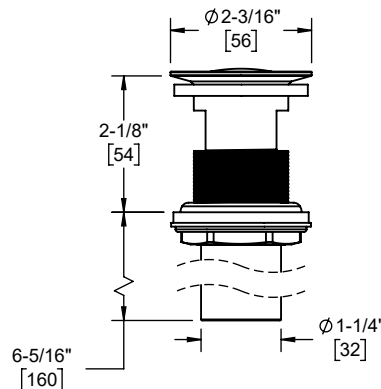
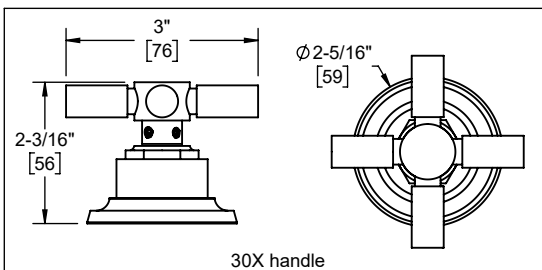
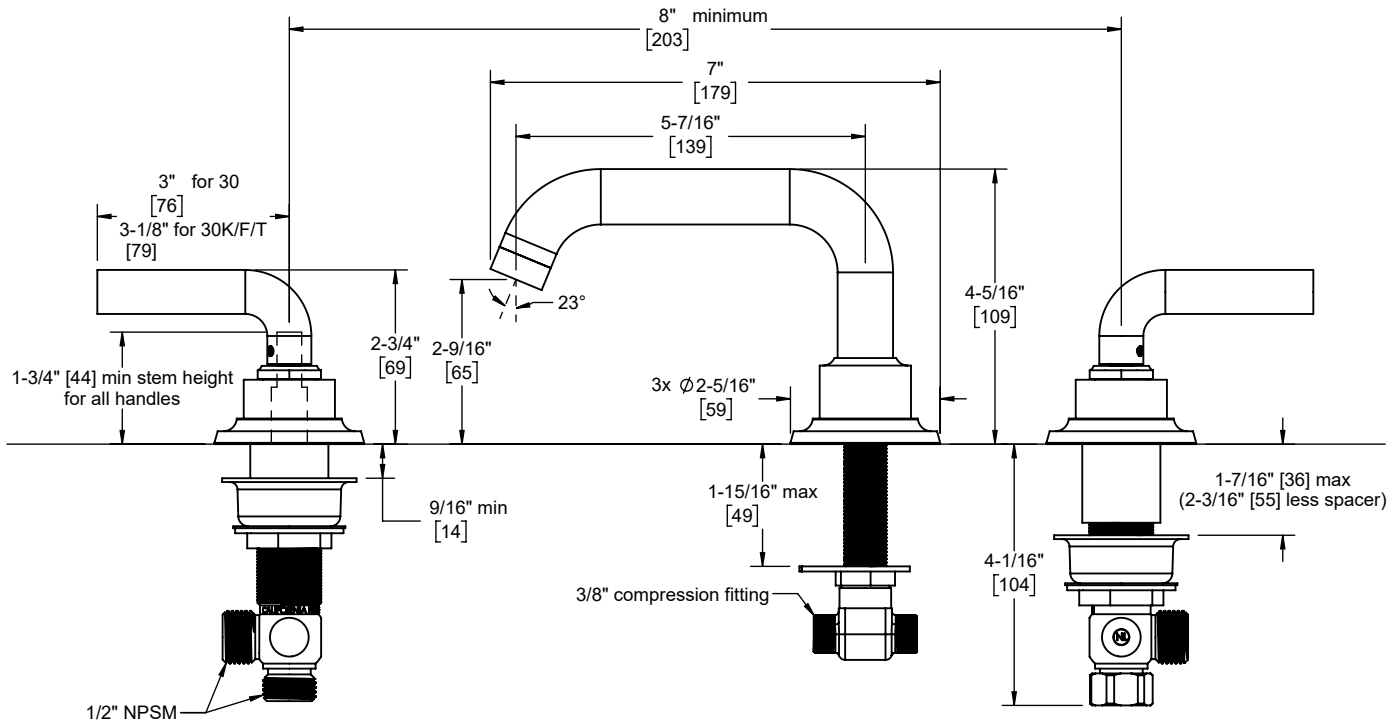
Product meets or exceeds the following:

- ASME A112.18.1/CSA B125.1
- NSF 61, NSF 372, CEC & DOE
- EPA WaterSense
- Commonwealth of MA
- ADA compliant (lever handles only)



3002K shown

- 3002
- 3002K
- 3002F
- 3002T
- 3002X
- 3002XK
- 3002XF
- 3002XT



	Through-Hole Specifications		
	Min	Recommended	Max
Spout:	Ø1" [25]	Ø1-3/8" [35]	Ø1-1/2" [38]
Valve:	Ø1-1/4" [32]	Ø1-3/8" [35]	Ø1-1/2" [38]

Dimensions are inches, rounded to 1/16"
[Dimensions in brackets are mm, rounded to 1mm]

Specifications subject to change without notice