



California Faucets®

HERMOSA®

TRADITIONAL WALL MOUNT TUB FILLER WITH HANDSHOWER

Features

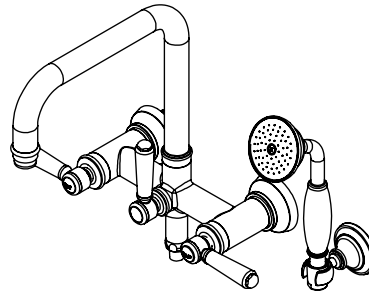
- Tub filler: Max flow rate 15 gpm (60.6 L/min) at 60 psi
- Handshower: Max flow rate 2.0 gpm (7.6 L/min)
- EPA WaterSense Certified handshower
- 1/4 turn ceramic disc cartridges
- Replace "XX" with desired handle series
- Solid brass construction
- Over 30 finishes including 15 PVD finishes

Codes/Standards

Product meets or exceeds the following:

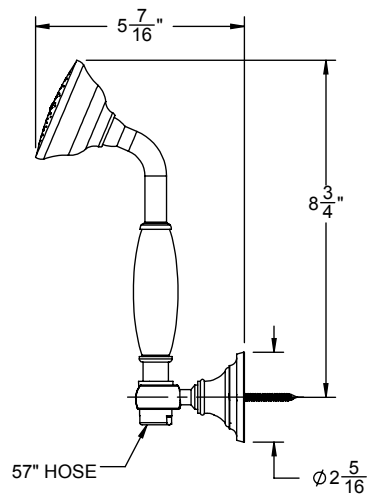
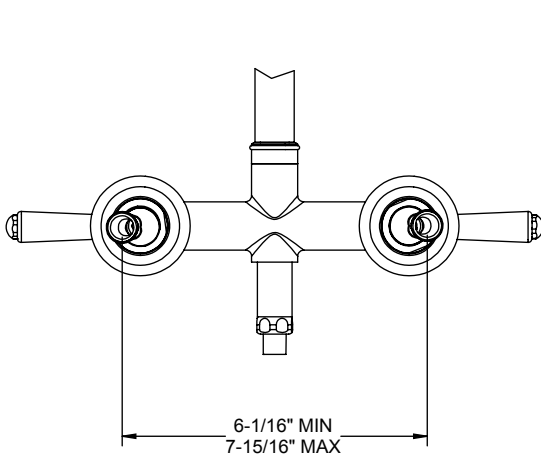
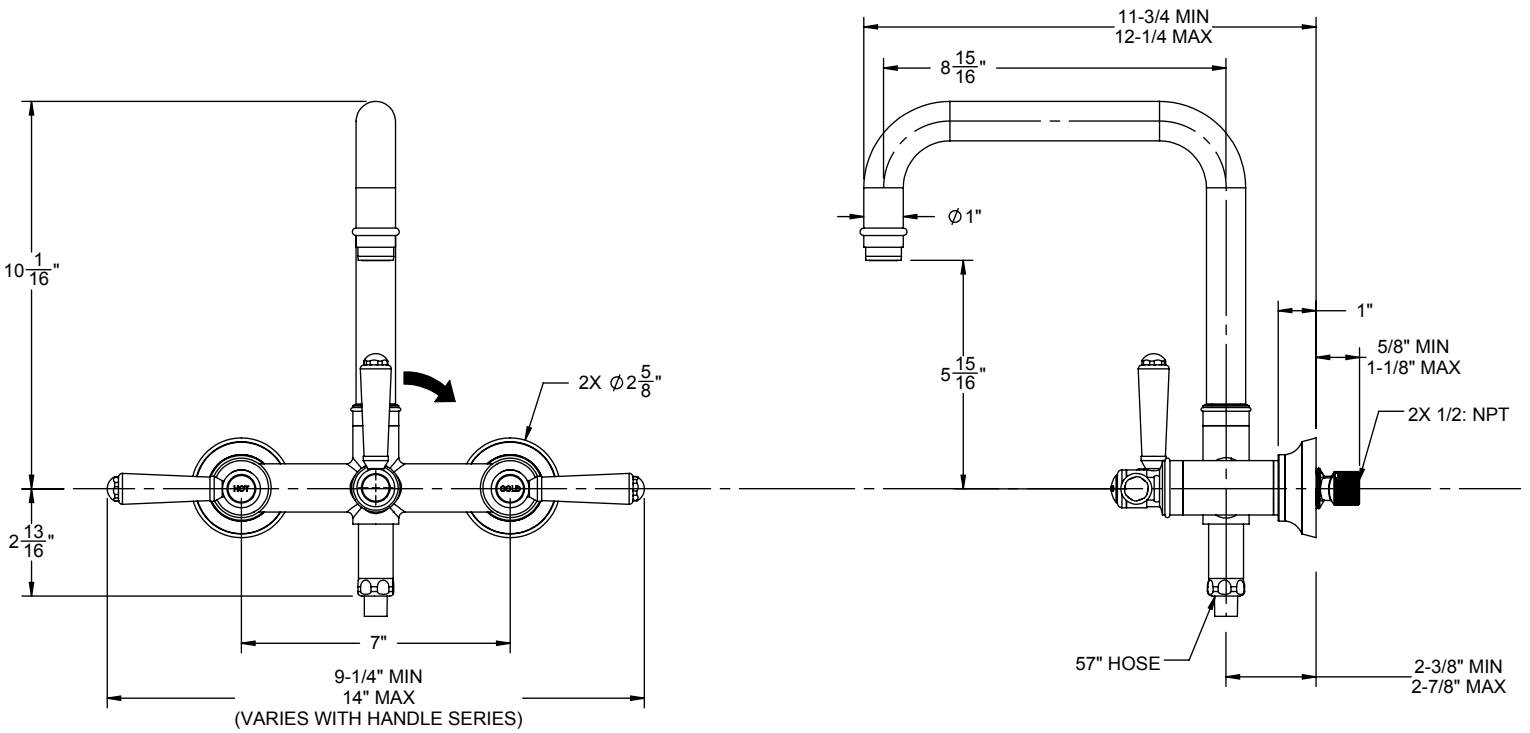
- ASME A112.18.1/CSA B125.1
- CEC/DOE
- EPA WaterSense
- Commonwealth of MA
- ADA compliant (with lever handles)

1406-XX.20
1406-XX.13M.20



1406-33.13M.20 SHOWN

XX = DENOTES HANDLE SERIES



THROUGH-HOLE SPECIFICATIONS		
MIN	RECOMMENDED	MAX
Ø 1-1/4"	Ø 1-3/4"	Ø 2"

- (1x) PLASTIC #8-10 FINNED ANCHOR
- (1x) #10 x 2 STAINLESS STEEL SCREW

SPECIFICATION SUBJECT TO CHANGE WITHOUT NOTICE

ALL DIMENSIONS SHOWN TO NEAREST 1/16"