



Features

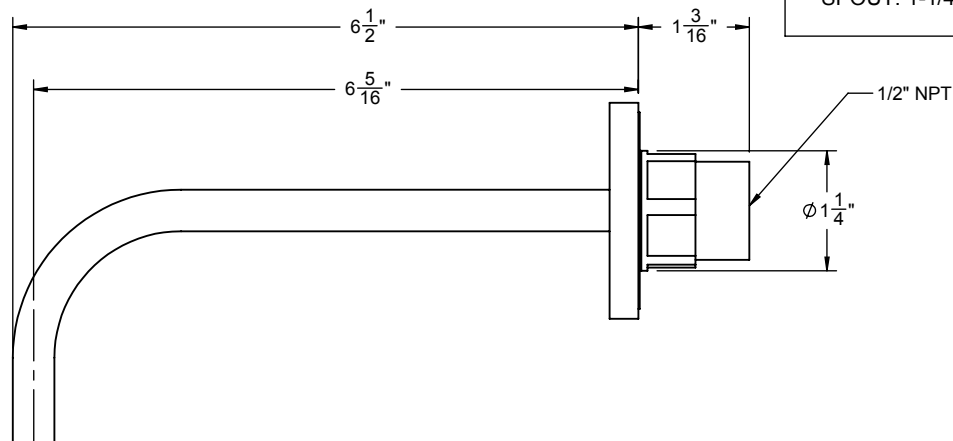
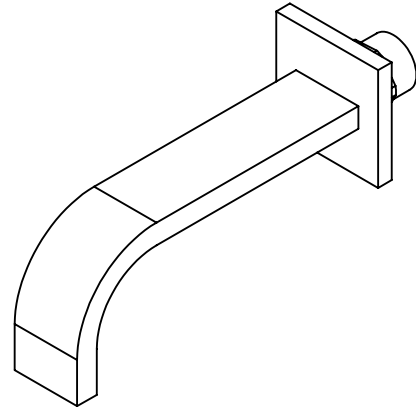
- Over 30 finishes including 14 PVD finishes
- Solid brass construction
- Includes decorative base ring
- Maximum flow rate: 10 gpm (37.9 L/m)
- For use with: StyleTherm, 3-VR or 2-VR
- For additional product offerings, see californiafaucets.com

Codes/Standards Applicable

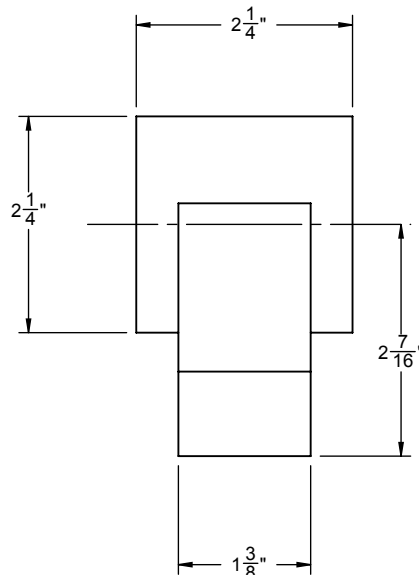
Meets or exceeds the following at date of manufacture:

- ASME A112.18.1/CSA B125.1

TS-72



THROUGH-HOLE SPECIFICATIONS	
MIN	RECOMENDED
SPOUT: 1-1/4"	1-3/8"



ALL DIMENSIONS SHOWN TO NEAREST 1/16"