

### IMPORTANT

All *California Faucets*® products are engineered to provide quality performance provided they are installed and operated properly. To fully enjoy the comfort, safety, and reliability of your new Thermostatic Extension Kit, please install per specifications below.

California Faucets reserves the right to make modification and specification changes at any time. Please visit [www.calfaucets.com](http://www.calfaucets.com) for most current technical data.

Pos.	Description
1	Plastic Adapter
2	Brass Washer
3	Extension Body
4	Screw Receiver (x2)
5	Cut Steel Washer
6	Dial Adapter Screw

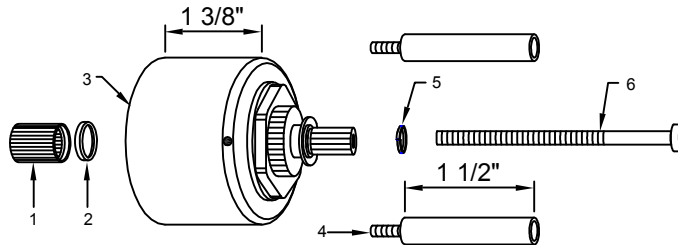
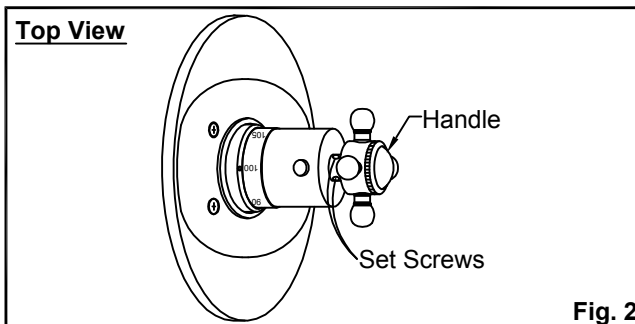


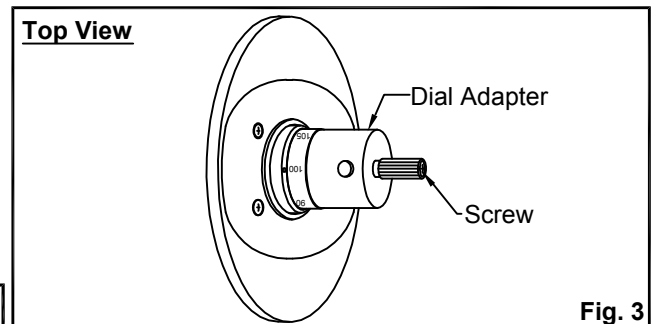
Fig. 1



1

Fig. 2

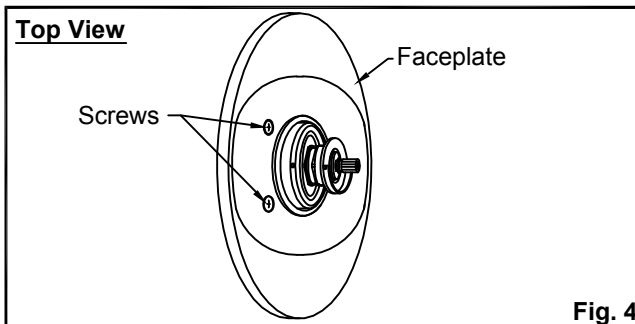
Loosen set screws and remove handle



2

Fig. 3

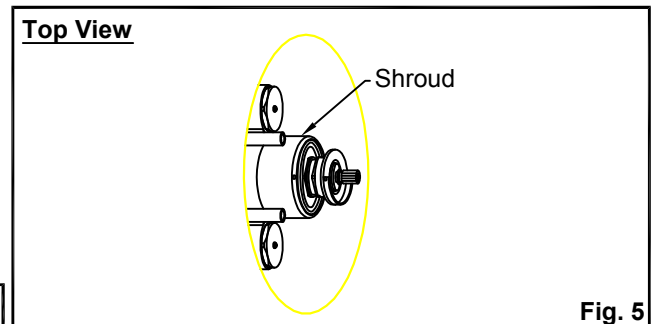
Remove dial adapter screw and pull the dial adapter off.



3

Fig. 4

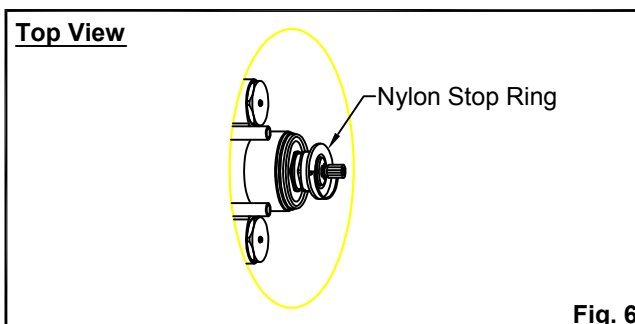
Remove screws and faceplate.



4

Fig. 5

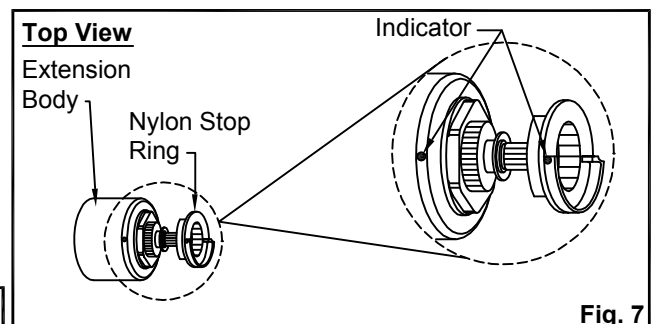
Remove shroud, o-ring and discard both items (o-ring is located inside shroud)



5

Fig. 6

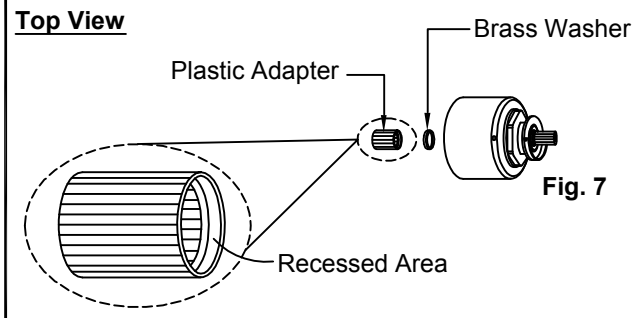
Remove nylon stop ring



6

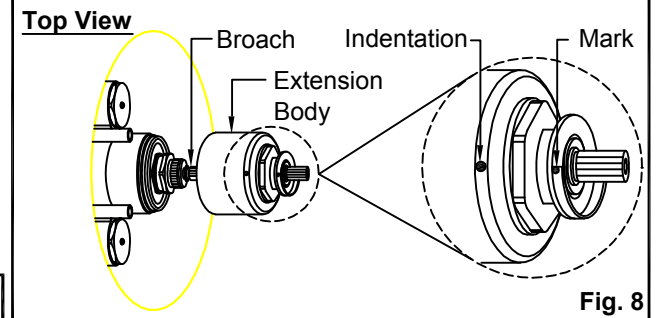
Fig. 7

Slip nylon stop ring onto extension body with the indicator at 12 o'clock (see Fig. 7A).



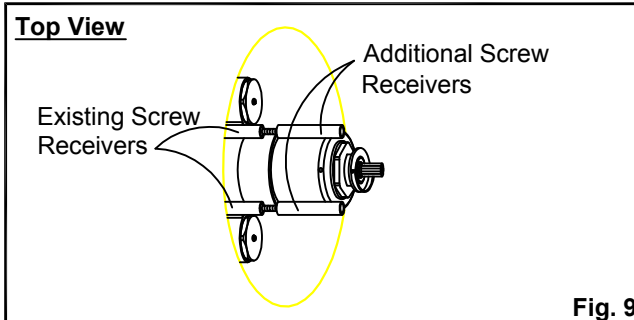
7

Insert the plastic adapter into the back of the extension body making sure the brass washer sits in the recessed area of plastic adapter (see Fig. 7A).



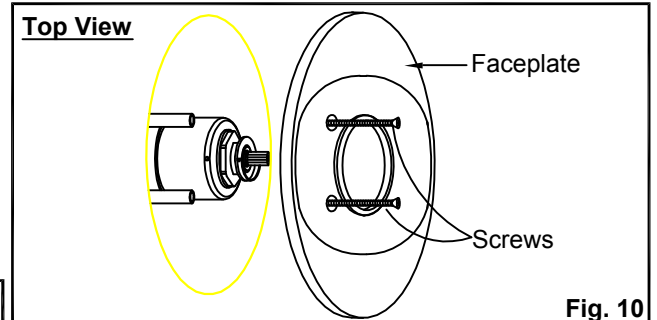
8

Install extension body onto broach of valve with indicator at 12 o'clock (see Fig. 8A).



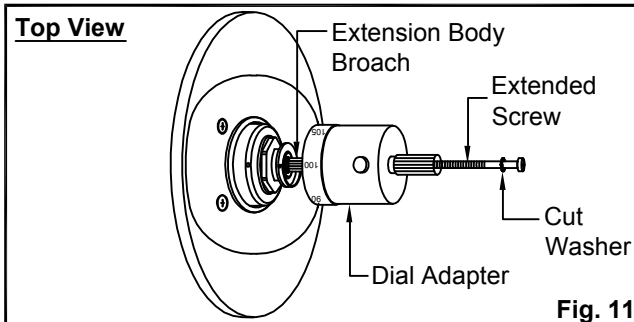
9

Install additional screw receivers onto existing receivers to extend length.



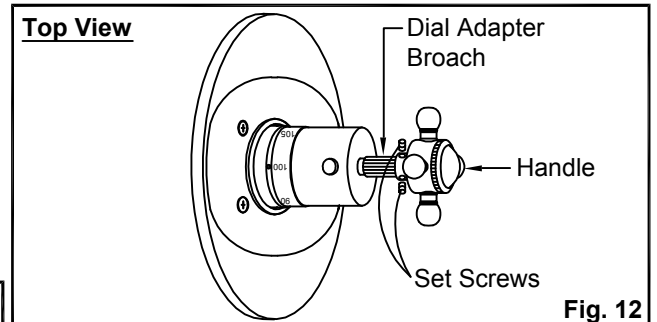
10

Reinstall faceplate (do not over tighten screws). Screws may be shortened if necessary.



11

Reinstall dial adapter onto broach of extension body and secure with extended screw onto broach of dial adapter (make sure cut steel washer is fitted onto screw).



12

Reinstall handle onto broach of dial adapter and tighten the 2 set screws firmly (do not over tighten).