



California Faucets®

# Miramar™

## WALL LAVATORY

### CF-TO-V4802X-7/9

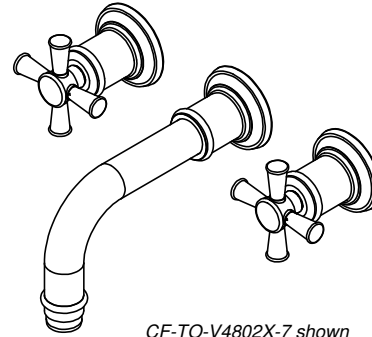
#### Features

- 1.2 gpm (4.5 L/min) max flow rate
- Rough valve (CF-VL-R) sold separately
- Solid brass construction
- Over 30 finishes including 15 PVD finishes

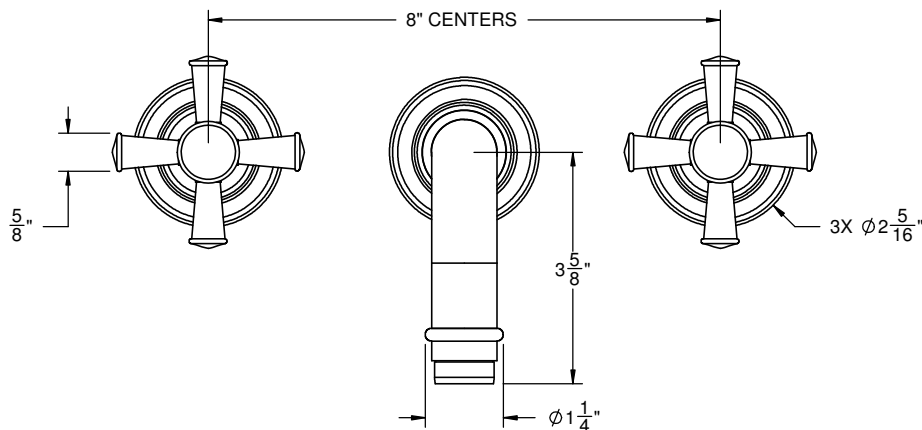
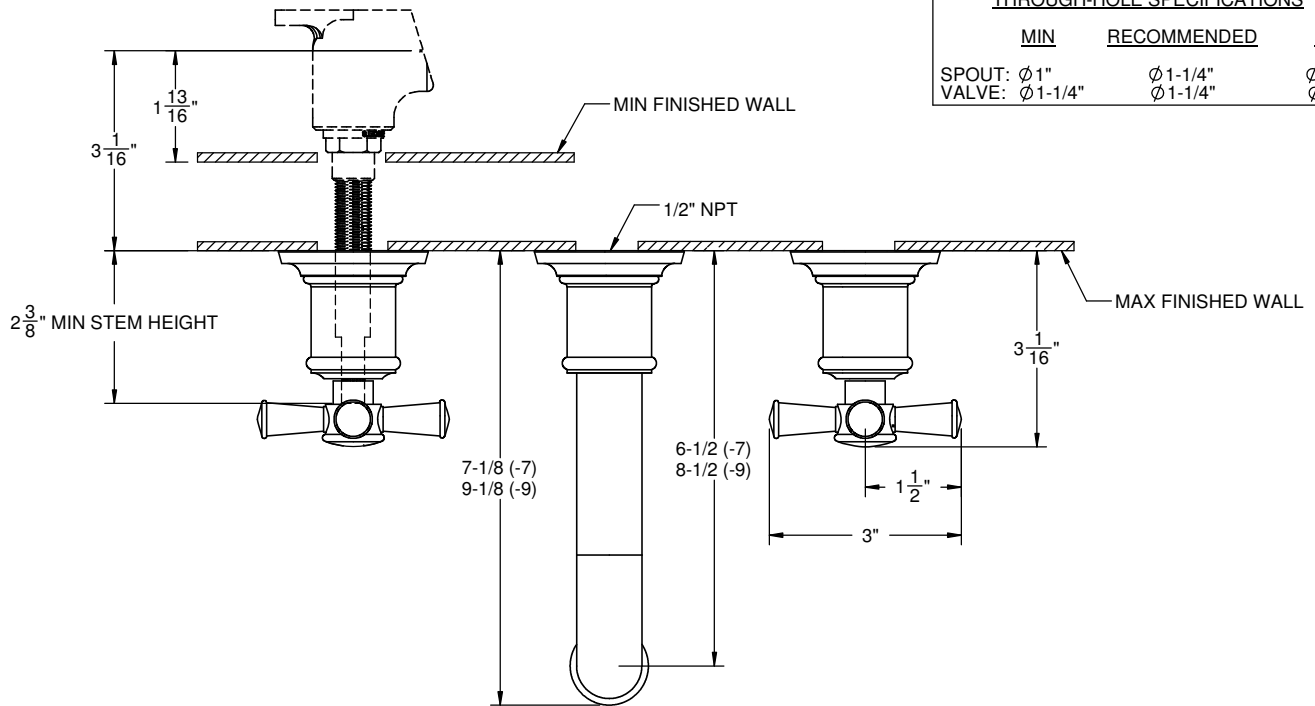
#### Codes/Standards

Product meets or exceeds the following:

- ASME A112.18.1/CSA B125.1
- NSF/ANSI 61 & NSF/ANSI 372
- CEC



CF-TO-V4802X-7 shown



ALL DIMENSIONS SHOWN TO NEAREST 1/16"