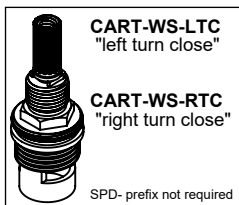
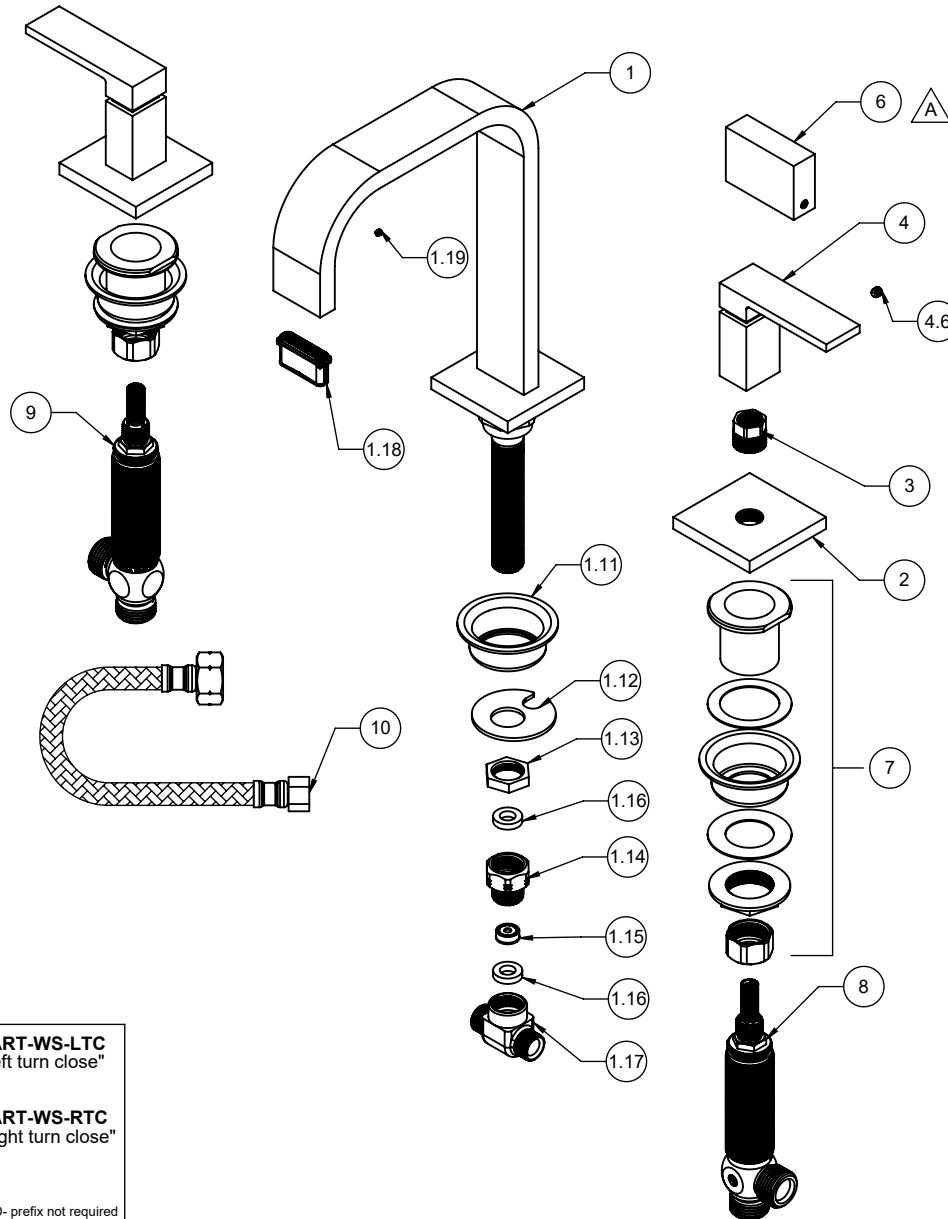


△ DOES NOT REQUIRE ITEM ③



To order spare parts add and/or replace as stated below:

**SPD-** prefix added to part number(s)  
**-ZZ** replaced with finish code (see finish table)  
**-WW** replaced with **-90** (light finish) or **-96** (dark finish)

Ex: **SPD-7-100463-PC** or **SPD-86030-96**

ITEM	PART NO	DESCRIPTION	QTY.
1	7-100185-ZZ	ASM, LAV SPOUT, RIBBON W/SQ, "NL" <i>(incl. 1.11, 1.12, 1.13, 1.14, 1.15, 1.16, 1.17, 1.18, 1.19)</i>	1
1.11	223469-99	CUP SPACER, STEEL, DIE CHROME, R/T, 22 SERIES	1
1.12	881766-99	WSHR HORSESHOE	1
1.13	881276-99	NUT, HEX 3/8"-18 NPSM X .20 HT	1
1.14	880164-98	HOUSING, FLOW RESTR, 3/8 MIPS X FIPS, "NL"	1
1.15	880359-81	FLOW RESTRICTOR, 1.2 GPM SHS-C TYPE-PINK, NSF-61	1
1.16	87162-80	WSHR Ø8.5 X Ø15.5 X 3.5MM EPDM A70 (NSF-61-12 & WRAS)	2
1.17	880083-90	TEE, 3-WAY LAV - SS	1
1.18	880226-81	INSERT, RECT. 32 X 8MM PERLATOR AERATOR	1
1.19	86118-90	SETSCREW M3 X 0.5 X 3.0 SCKT HD SS	1
2	10457-ZZ	ESCUTCHEON, SQ	2
3	880371-15B	NUT, TIE-DOWN, BARREL Ni PLT - KNURLED	2
for 78 Series	4	7-100216-ZZ ASM, SQ. LVR, L-SHAPED <i>(incl. 4.6)</i>	2
	4.6	86033-WW SETSCREW 10-24 X 3/16 SCKT HD CUP PT SS	1
for 78R Series	6	7-100252-ZZ ASM, RECTANGULAR HANDLE <i>(incl. 4.6)</i>	2
7	6-200294	KIT, W/S INV NUT - 2 SETS (1 SET - 6-200294-1)	1
8	6-200087	ASM, COLD-LAV "NL" BODY & CART (.25 Pb)-G4 <i>(incl. CART-WS-LTC)</i>	1
9	6-200088	ASM, HOT-LAV "NL" BODY, CART (.25 Pb)-G4 <i>(incl. CART-WS-RTC)</i>	1
10	880099-99	HOSE, POLY BRAIDED, 1/2 IPS X 3/8 CMP X 12 (DN6-SILICONE) (NL, NSF-61-12 & WRAS)	2
for ITEM 4.6	12	882043-99 KEY, ALLEN, 3/32", BLACK	1
for ITEM 1.19	13	880246-91 KEY, ALLEN 1.5MM BLACK	1