

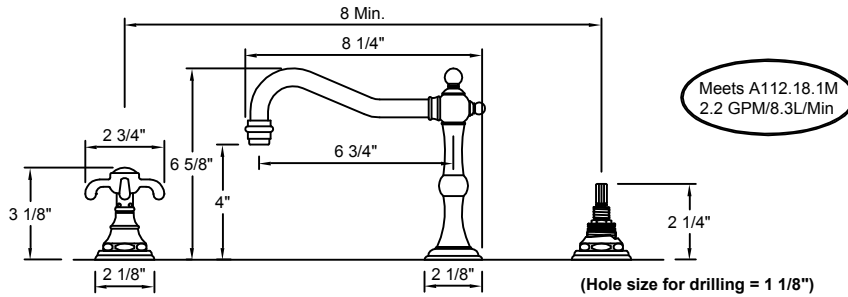
67 Series Specifications

"HUMBOLDT"

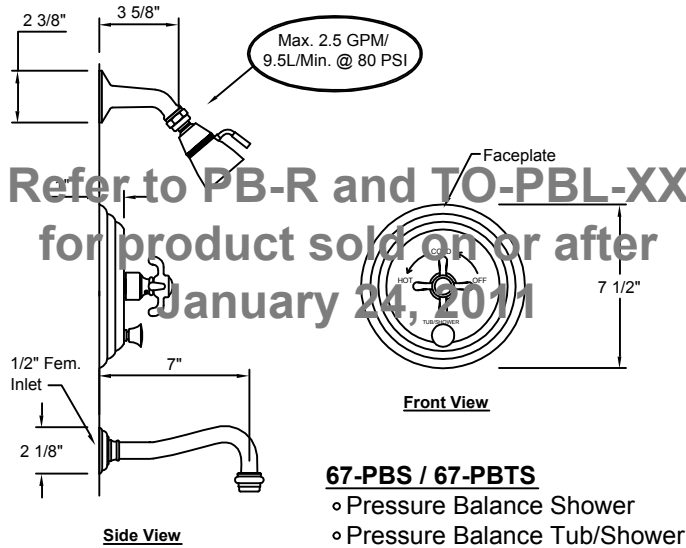


All California Faucets lever and blade handle products are American Disability Act (ADA) compliant.

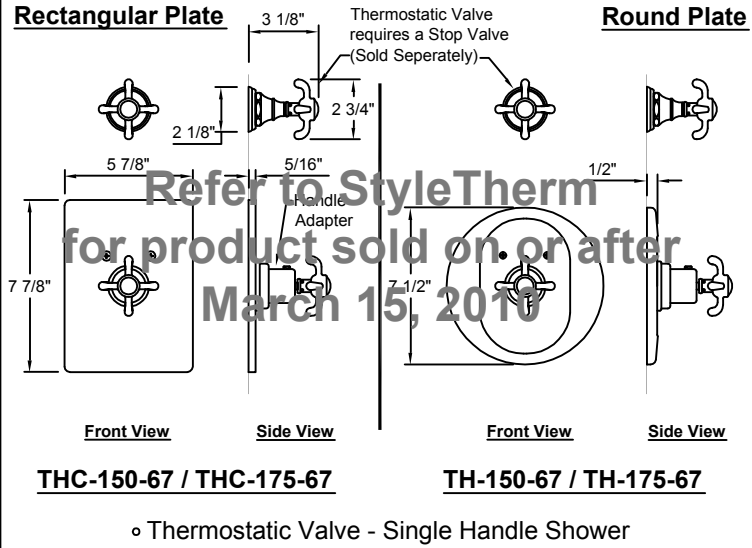
California Faucets reserves the right to make modification and specification changes at any time. Please verify dimensions prior to installation. Visit www.calfaucets.com for most current technical data.



6702
 ◦ Widespread



Refer to PB-R and TO-PBL-XX for product sold on or after January 24, 2011



Refer to StyleTherm for product sold on or after March 15, 2010

