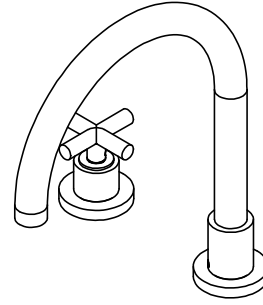


TO-6508

Features

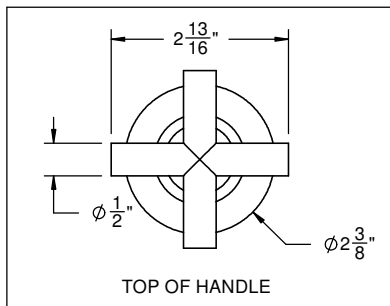
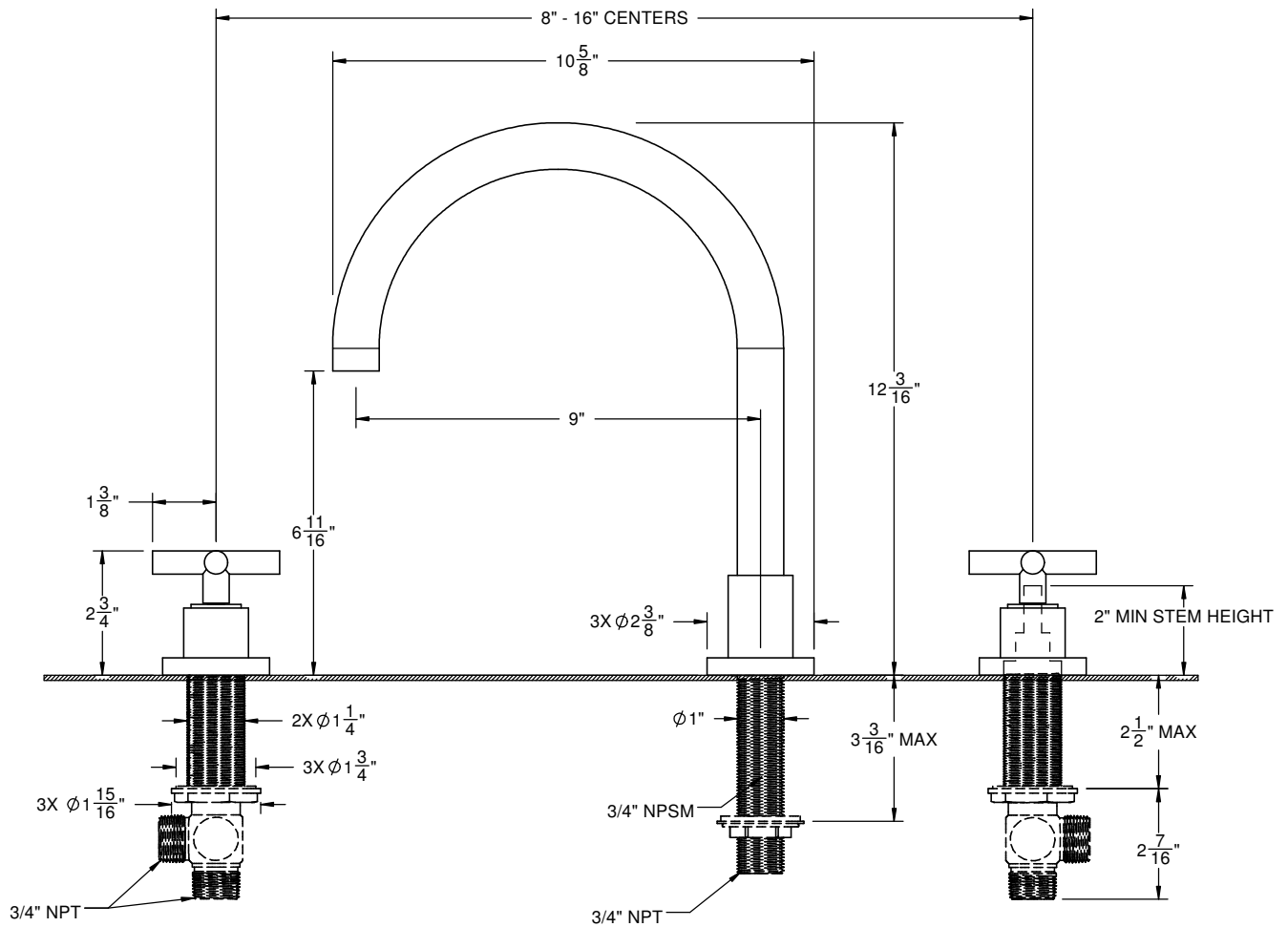
- 9" spout center to center
- Spout has easy Quick connect fitting
- Maximum flow rate: 16 gpm (60.6 L/min)
- Rough Valve & Quick Connect (08-75-65) sold separately
- Solid brass construction
- Over 30 finishes including 15 PVD finishes



Codes/Standards Applicable

Meets or exceeds the following at date of manufacture:

- ASME A112.18.2-2011/CSA B125.2-11



THROUGH-HOLE SPECIFICATIONS			
	MIN	RECOMMENDED	MAX
SPOUT: ϕ 1"		ϕ 1-3/8"	ϕ 1-5/8"
VALVE: ϕ 1-1/4"		ϕ 1-3/8"	ϕ 1-5/8"

ALL DIMENSIONS SHOWN TO NEAREST 1/16"