



California Faucets®

# Showerhead

2-3/16" 6 JETS

## Features

- 1/2" FIP inlet
- Brass construction
- 2-13/16" diameter
- Replace .FR with desired max flow rate:  
SH-04.25 for 2.5 gpm  
SH-04.20 for 2.0 gpm  
SH-04.15 for 1.5 gpm



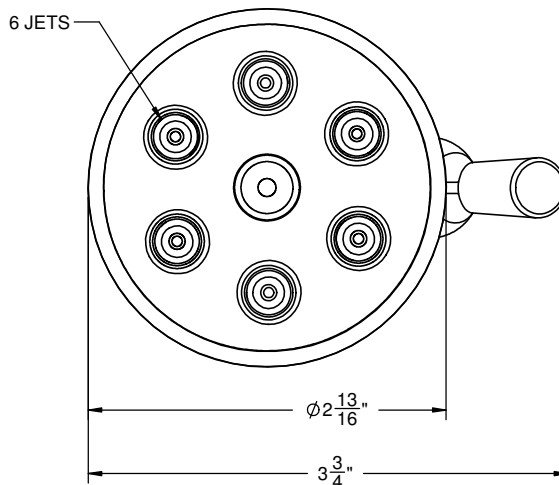
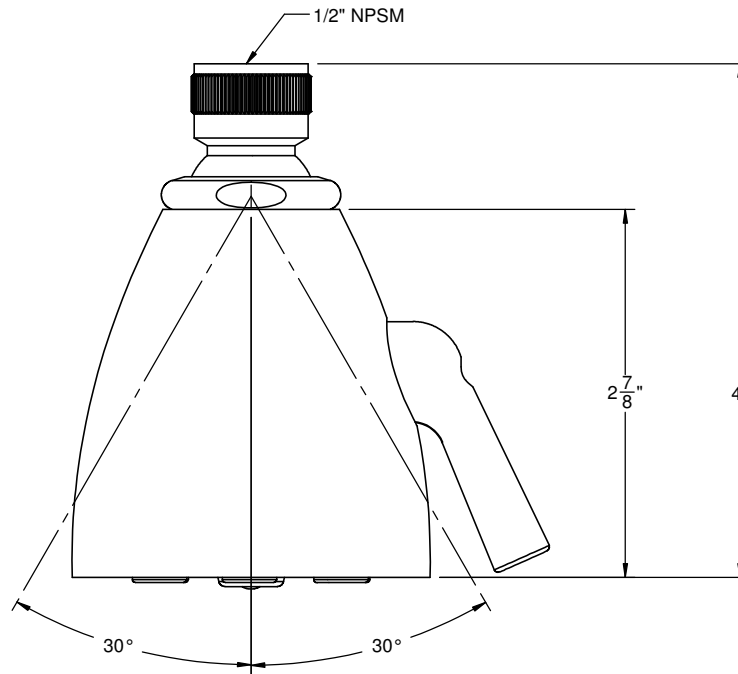
SH-04.25  
SH-04.20  
SH-04.15  
SH-04  
WE-SH-04



## Codes/Standards Applicable

Product meets or exceeds the following:

- ASME A112.18.1/CSA B125.1
- CEC (2.0 and 1.5 gpm)



ALL DIMENSIONS SHOWN TO NEAREST 1/16"